



2024-2025 Blank Only Price Book SPREADER and SNOW PLOW PARTS

PART NO. BSP2425. CATALOG EFFECTIVE FOR THE 2024-2025 SEASON.



**FEATURING NEW
PRO8000**

**8 CUBIC YARD
POLY SPREADER**

*Available in Chain or Auger and
Electric or Hydraulic
see page 13*



NEW
Take Down & Alley Lights
8893348 & 8893860 - page 134



*Shoe kits for BOSS®, SnowEx®, Blizzard®,
Sno-Way®, Meyer®, Diamond®, Western®
1303200C Shown - pages 50-101*



NEW
LED Arrow Light Bar
8894060 - page 134



NEW
Wireless Remote Mini LED
Light Bar Color Options
8891039 - page 132

SALTDogg® PRO SERIES SPREADERS BUILT TO KEEP YOU WORKING

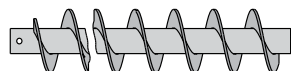


PRO2500

2.5 cubic yard capacity

What Makes a PRO?

**THE
DRIVE
YOU NEED**



Carbon Steel Auger
Less moving parts, less maintenance and more even flow.

← OR →

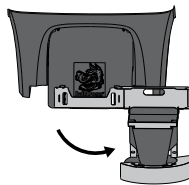


Steel Pintle Chain
Carries more material to the discharge chute.

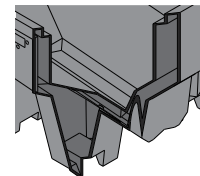


Separate 3/4 & 1/2 HP Motors
Provide independent control of the auger/conveyor and spinner.

**PLUS
THE
FEATURES
YOU NEED**



High Flow Swing-Away Chute
Spreads material up to 30 ft! Easy cleaning, storage and bulk unloading.



Patented, Double Wall Poly Hopper
Maximum durability, won't rust or dent. (PRO1500 thru PRO3000)

Available in 1.5 – 8 cubic yard capacities

CONTENTS

SPREADERS AND ANTI-ICE

SALTDogg® SPREADERS & PARTS4-41
 ANTI-ICE, POLYETHYLENE TANKS , and PRE-WET SYSTEMS42-49

AFTERMARKET PLOW PARTS

BOSS® REPLACEMENT PARTS50-59
 FISHER® REPLACEMENT PARTS60-71
 MEYER®/DIAMOND® REPLACEMENT PARTS.....72-82
 SNO-WAY® REPLACEMENT PARTS..... 83-84
 SNOWEX®/BLIZZARD® SPREADER REPLACEMENT PARTS 85-86
 WESTERN® REPLACEMENT PARTS.....87-101

UNIVERSAL PARTS AND ACCESSORIES

UNIVERSAL SPREADER REPLACEMENT PARTS 102-109
 MUNICIPAL PLOW PARTS.....110-114
 HYDRAULICS 115-121
 PLOW ACCESSORIES/MISC..... 122-124
 LIGHTING & ELECTRICAL 125-147
 RUBBER CUTTING EDGES & BOLTS..... 148
 SPECIFICATIONS..... 149-153
 OEM CROSSOVER CHARTS..... 154-161
 INDEX..... 162-172

PRO SERIES SALT SPREADERS



2-YEAR WARRANTY
 on all
 PRO Series
 Spreaders

NEW
 PRO8000 shown



The fitted tarp has integral stretch cords with no "loose" parts to allow for fast installation.



Swing-away chute for bulk unloading



High flow chute with larger 14 in. spinner, open trough, and adjustable height and spinner shield

- Available in 1.5 – 8.0 cubic yard capacities
- Available in 5-1/4" full length auger or 12" wide pintle conveyor
- Patented double walled hopper
- Swing-away chute for bulk unloading
- Easily-removable chute, adjustable to 3 positions
- Adjustable, stainless steel inverted vee

- Simple, one-piece top screen
- Fitted tarp with built-in straps
- Vibrator included
- Independent, 12V, .75HP auger-conveyor and .5HP spinner motors
- Built-in fork lift slots

SEE PAGES 9-14 FOR ORDERING INFO

LOW-TEMPERATURE BLUE HYDRAULIC FLUID

- Compatible with Boss, Western, Fisher, Meyer, SnowEx, Meyer and all major plow brands
- Rated at -50°



1307005

1307014

PART NO.	DESCRIPTION
1307005	1 Quart Bottle
1307010	1 Case (12 Quarts)
1307014	1 Case (4 Individual Gal.)
1307015	5-Gallon Pail w/Spout
1307020	55-Gallon Drum

*1307005 Sold in Case Qty.

STEEL CUTTING EDGES



WORKS WITH **BOSS®**
PAGE 50

WORKS WITH **FISHER®**
PAGE 60

WORKS WITH **MEYER®/DIAMOND®**
PAGE 72

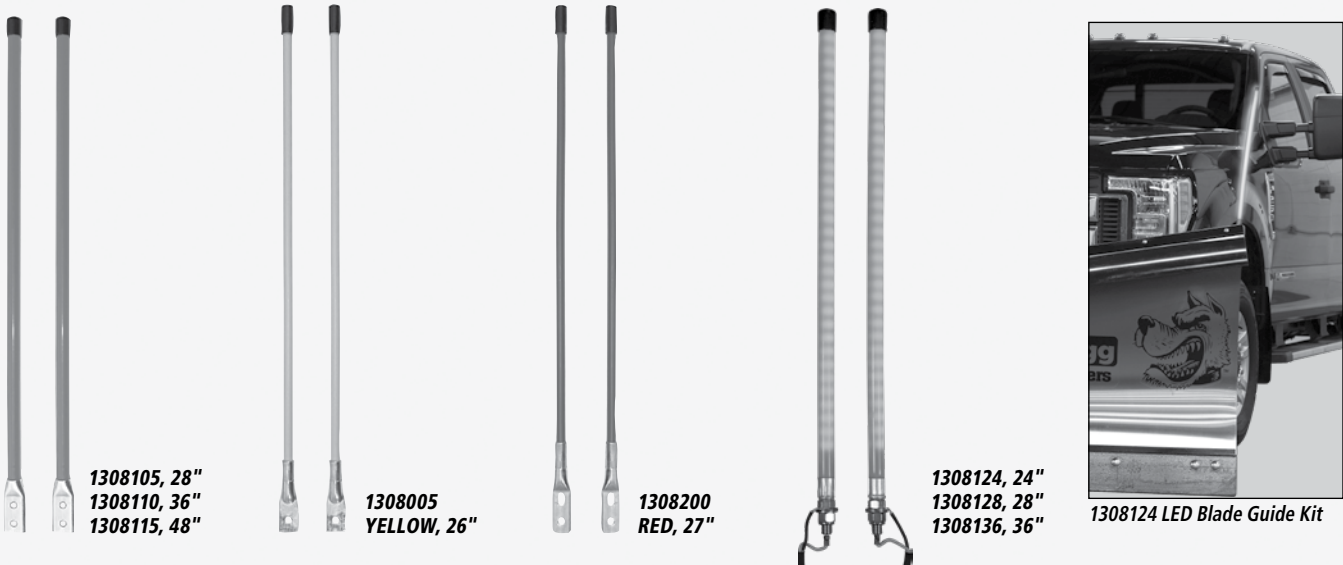
WORKS WITH **SNO-WAY®**
PAGE 83

WORKS WITH **SNOWEX®/BLIZZARD®**
PAGE 85

WORKS WITH **WESTERN®**
PAGE 87

MUNICIPAL PLOWS
PAGE 110

BLADE GUIDE KITS (SEE THE FULL LINE ON PAGE 115)



1308105, 28"
1308110, 36"
1308115, 48"

1308005
YELLOW, 26"

1308200
RED, 27"

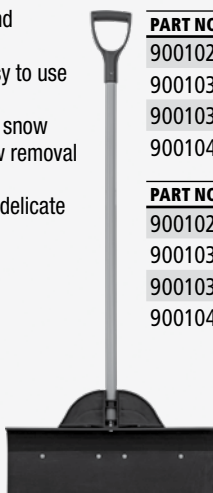
1308124, 24"
1308128, 28"
1308136, 36"

1308124 LED Blade Guide Kit

PART NO.	DESCRIPTION	WT. (LBS)	
1308105	Blade Guide Kit, 3/4" x 28" (B2028)	0.8	
1308110	Blade Guide Kit, 3/4" x 36" (B2036)	1.0	
1308115	Blade Guide Kit, 3/4" x 48" (B2048)	1.1	
PART NO.	DESCRIPTION	OEM PART NO.	WT. (LBS)
1308005	Replaces Meyer Blade Guide Kit, 26"	09916	1.0
1308200	Blade Guide Kit, 27" Wire Core	—	1.15
PART NO.	DESCRIPTION	WT. (LBS)	
1308124	LED Blade Guide Kit, 3/4" x 24"	2.30	
1308128	LED Blade Guide Kit, 3/4" x 28"	2.37	
1308136	LED Blade Guide Kit, 3/4" x 36"	2.51	

SNOWPUSHER SHOVELS

- Ultra durable UHMWPE blade suitable for any surface and conditions
- Quick assembly with stainless steel fasteners for an easy to use weatherproof product
- Premium rugged fiberglass handle for even the heaviest snow
- Low friction radiused UHMWPE blade for effortless snow removal
- Ergonomic D-handle designed for comfort and control
- Worry free operation with a UHMWPE blade suitable for delicate surfaces, preventing scratches or marks



9001030 - 30"

PART NO.	DESCRIPTION
9001024	24" Snowpusher Shovel
9001030	30" Snowpusher Shovel
9001036	36" Snowpusher Shovel
9001048	48" Snowpusher Shovel

PART NO.	DESCRIPTION
9001025	24" Snowpusher Shovel, 6 Pack
9001031	30" Snowpusher Shovel, 6 Pack
9001037	36" Snowpusher Shovel, 6 Pack
9001049	48" Snowpusher Shovel, 6 Pack

HAND SPREADER

- Ideal for snow and ice melt, rock salt, fertilizer, and seed.
- Convenient wide mouth scoop fill and quarter turn removable lid for pouring.
- Sturdy handle grip
- 2.5 liter capacity
- Durable black HDPE poly construction
- 13in. L x 5in. W x 7in. H

PART NO.	DESCRIPTION
9031120	Hand Spreader Shaker



UNIVERSAL CONTROLLER CUP HOLDER MOUNT KIT

- Works with most SnowDogg®, S.A.M.®, Boss®, Meyer®, Western®, Fisher®, Blizzard®, and SnowEx® plow and spreader controllers
- Flexible gooseneck allows for optimum positioning
- Mount adjusts to firmly fit most cup holder sizes



PART NO.	DESCRIPTION
1306890	Universal Controller Cup Holder Mount Kit

UNIVERSAL 48" X 72" + RUBBER BED MAT

- Protect your truck bed and bumper from dings, scratches, and dents
- 100% Recycled virgin rubber – NOT recycled tires
- HD 5/16" thick rubber commercial-grade bed floor protection
- Universal 48" x 72"+ rectangular design to work with our spreaders and your truck
- Easily cut and trimmed for a wide range of uses
- These rubber mats grip your spreader or cargo to keep it in place and reduce load shifting
- Proudly made in the USA
- Markings may differ from those shown in the picture



PART NO.	DESCRIPTION
1309200	Universal 48" x 72"+ Rubber Bed Mat, Sold in Cartons of 18

TGSUV1B SALT SPREADER



SHIPS VIA
UPS

- Manual open/close gate with gravity feed
- Folds away for easy access to tailgate

Compare to:
Boss® TGS600, Meyer® Mini JR,
Western® 500, SnowEx® SP-575

TGSUVPROA SALT SPREADER



SHIPS VIA
UPS

- Gravity feed with vertical 12 VDC auger assist
- Prewired for optional vibrator kit (3008241)

Compare to:
Boss® TGS600, Meyer® Mini JR,
Western® 500, SnowEx® SP-575

TGS06 BULK SALT & SALT/SAND MIX



- Adjustable flowgate design
- Includes 80 lb vibrator
- Gravity feed ideal for bulk material

Compare to:
Meyer® Mate

	TGSUV1B	TGSUVPROA	TGS06
IDEAL USE	Residential	Residential/Light Commercial	Commercial
CONSTRUCTION	Polyethylene/Steel	Polyethylene/Steel	Polyethylene
CAPACITY	4.41 cu ft/331 lb	4.41 cu ft/331 lb	10 cu ft/750 lb
DIMENSIONS (H X W X L)	40.5" x 22.5" x 20.5"	40.5" x 22.5" x 20.5"	40" x 63" x 27"
WEIGHT	68 lb (30.8 kg)	74 lb (33.6 kg)	160 lb (72.6 kg)
FEED MECHANISM	Manual Open/Close Gate w/ Gravity Feed	Gravity Feed w/ Vertical Auger Assist	Manual Open/Close Gate w/ Gravity Feed
MOTOR	12 VDC, 15 Amps	12 VDC, 45 Amps	12 VDC, 45 Amps
SPINNER	9" (22.9 cm) poly	9" (22.9 cm) poly	9" poly
SPREAD WIDTH	12 – 24 ft.	3 ft. – 30 ft.	3 ft. – 30 ft.
RECEIVER HITCH	1-1/4" & 2", Class 3 or 4	2", Class 4	2", Class 4
CONTROL	In-Cab On-Off (3001152)	Variable Speed Controller (3011864B)	Variable Speed Controller (3011864B)
VEHICLE APPLICATIONS	SUVs, 1/2, and 3/4-ton trucks	SUVs, 1/2, and 3/4-ton trucks	3/4 and 1-ton trucks

ACCESSORIES

PART NO.	DESCRIPTION
3016233	Auger for Fine Material, for TGSUVPROA
3005423	Conversion Kit, TGSUV1B to TGSUVPROA
3008241	80 lb. Vibrator Kit, for TGSUVPROA
3005345	3-Point Receiver Adapter, for TGSUV1B, TGSUVPROA, TGS02
99420	Floor Display for TGSUV1B, TGSUVPROA, TGS02 & TGS03



Part No. 3005345 - 3-Point 2" Receiver Adapter for TGSUV1B, TGSUVPROA, TGS02



Part No. 3001152 - Auxiliary Plug Adapter with Integral On-Off Switch for TGSUV1B



Part No. 3011864B - Variable Speed In-Cab Controller with "Blast" and Vibrator Control standard with TGSUVPROA, TGS02, TGS03, TGS06, TGS07



Part No. 99420
Spreader not included



HORIZONTAL AUGER TAILGATE SPREADERS

SALTDogg
SPREADERS

TGS02 SALT SPREADER



patented

- Horizontal auger feed
- Prewired for optional vibrator kit (3028195)
- Adjustable spinner shroud

Compare to:
SnowEx® SP-125/SP-225

TGS03 BULK SALT & SALT/SAND MIX



patented

SPREADS
BULK SALT &
SALT/SAND
MIX

- Horizontal auger feed
- Optional vibrator for salt/sand mix (3020340)

Compares to:
Meyer® Blaster 350, Swenson® Tailhawk 350,
SnowEx® SP-1875
2018+ Pick-up trucks may require 3038518 bumper extension
accessory kit. See below

TGS07 BULK SALT & SALT/SAND MIX



patented

SPREADS
BULK SALT &
SALT/SAND
MIX

- Horizontal auger feed
- Includes concealed 200lb. vibrator & top screen
- Dual action lid for loading from ground or truck bed

Compares to:
Boss® TGS800, Air-Flo® MSS, Western® Pro Flow 2,
SnowEx® SP-1075

2018+ Pick-up trucks may require 3038520 bumper
extension accessory kit. See below

	TGS02	TGS03	TGS07
IDEAL USE	Residential/Light Commercial	Commercial	Commercial
CONSTRUCTION	Polyethylene/Steel	Polyethylene/Steel	Polyethylene/Steel
CAPACITY	4.0 cu ft/300 lb	8 cu ft/600 lb	11 cu ft/825 lb
DIMENSIONS (H X W X L)	32" x 30" x 22"	45" x 38" x 30"	46" x 53" x 31.5"
WEIGHT	64 lbs. (29 kg)	160 lb (72.57 kg)	230 lb (104.33 kg)
FEED MECHANISM	Horizontal Auger Feed	Horizontal Auger w/ Stainless Steel Trough	Horizontal Auger w/ Stainless Steel Trough & Adj. Inverted V
MOTOR	12VDC, 45 Amps Dual Shaft Gear Motor	12 VDC, 45 Amps, Dual Shaft Gear Motor (patented)	12 VDC, 45 Amps, Dual Shaft Gear Motor (patented)
SPINNER	9" (22.9 cm) poly	12" poly	12" poly
SPREAD WIDTH	3 ft. – 30 ft.	3 ft. – 30 ft.	3 ft. – 30 ft.
RECEIVER HITCH	2", Class 4	2", Class 4 w/Horiz. & Vert. Adj. (patented)	2", Class 4 w/Horiz. & Vert. Adj. (patented)
CONTROL	Variable Speed Controller (3011864B)	Variable Speed Controller (3011864B)	Variable Speed Controller (3011864B)
VEHICLE APPLICATION*	SUVs, 1/2, and 3/4-ton trucks	1/2 and 3/4-ton trucks	3/4 and 1-ton trucks

*Truck Application is only a reference. The Gross Vehicle Weight (GVW) of the truck & calculated payload must be evaluated for each application.

PART NO.	DESCRIPTION
3028195	80 lb. Vibrator Kit, for TGS02
3020340	200 lbs. Vibrator Kit, for TGS03 Series
99420	Floor Display for TGSUV1B, TGSUVPROA, TGS02 & TGS03
3038518	TGS03 Bumper Extension, 2018+ Pickup Trucks
3038520	TGS07 Bumper Extension, 2018+ Pickup Trucks
3018599	Baffle Kit (Inverted V) for TGS07 Series
3005345	3-Point Receiver Adapter, for TGSUV1B, TGSUVPROA, TGS02
3059122	TGS03/07 Adapter, for 3005345

Use extensions to mount TGS03/07 spreaders on trucks with flared tailgates



Part No. 3038518
TGS03 Bumper
Extension



Part No. 3038520
TGS07 Bumper
Extension



Part No. 3005345
3-Point 2" Receiver
Adapter for TGSUV1B,
TGSUVPROA, TGS02



Part No. 3011864B - Variable Speed In-Cab
Controller with "Blast" and Vibrator Control
standard with TGSUVPROA, TGS02, TGS03,
TGS06, TGS07



For parts drawings and more information about all of our spreaders, visit BuyersProducts.com

REPLACEMENT PARTS FOR TAILGATE SPREADERS

SALTDogg
SPREADERS

TGSUV1 FAMILY - CAPACITY: 330 POUNDS OR 4.4 CU FEET	
DESCRIPTION	PART NO.
Conversion kit to TGSUVPROA	3005423
Spinner (9" Diameter)	3005705
Spinner hub	3007809
Spinner motor	3005693
Vibrator kit, 80 lb.	3008241
Wire harness	3001152

TGSUVPRO FAMILY - CAPACITY: 330 POUNDS OR 4.4 CU FEET	
DESCRIPTION	PART NO.
Auger, TGSUVPROA	3007811
Auger, finer material	3016233
Controller kit, TGSUVPROA before 2009	3015371
Controller, TGSUVPROA	3011864B
Controller, rocker switch	3021616
Spinner (9" Diameter)	3005706
Spinner motor, w/ adapter for TGSUVPRO	3010220
Spinner motor, TGSUVPROA	3014441
Vibrator kit, 80 lb.	3008241
Wire harness	3008620
Wire harness repair kits:	
Truck side	3017233
Spreader side	3020301

TGS02 - CAPACITY: 300 POUNDS OR 4.0 CU FEET	
DESCRIPTION	PART NO.
Auger	3024588
Controller	3011864B
Controller, rocker switch	3021616
Gearbox	3024587
Motor only, gearbox	3027661
Spinner	3010970
Vibrator kit, 80 lb.	3028195
Wire Harness	3008620
Wire harness repair kits:	
Truck side	3017233
Spreader side	3020301

TGS06 - CAPACITY: 750 POUNDS OR 10 CU FEET	
DESCRIPTION	PART NO.
Controller	3011864B
Controller, rocker switch	3021616
Spinner (9" Diameter)	3010970
Spinner motor	3009320
Vibrator, 80 lb.	3008076
Wire harness	3008620
Wire harness repair kits:	
Truck side	3017233
Spreader side	3020301

TGS03/TGS07 SERIES	
DESCRIPTION	PART NO.
Auger	3015382
Bearing	1411000
Controller	3011864B
Controller, rocker switch	3021616
Gearbox	3015377
Gearbox Replacement Parts:	
Gearbox Only	3018359
Gearbox Motor	3018358
Gearbox Repair Kit	3028284
Gearbox Shaft 2010 & 2011 season	3019870
Gearbox Shaft 2012 +	3027636
Gear Motor Coupler	3021617
Spinner (12" Diameter)	3019561
Spinner disk protector, TGS03	3018923
Spinner disk protector, TGS03RED & TGS03YEL	3028636
Top Screen	3018781
Vibrator, 200 lb.	3007416
Wire harness	3008620
Wire harness repair kits:	
Truck side	3017233
Spreader side	3020301
TGS03 Bumper extender (needed for newer trucks with flared tailgates)	3038518
TGS07 Bumper extender (needed for newer trucks with flared tailgates)	3038520

COMMERCIAL DUTY, HIGH HORSEPOWER SPREADERS



SALTDogg
SPREADERS

PRO1500 AUGER ELECTRIC POLY HOPPER



patented

2-YEAR WARRANTY
on all
PRO Series
Spreaders

- **POWERFUL .75 HP** auger motor and **.5 HP** spinner motor
- **5.25" FULL LENGTH Variable Pitch Auger**
- 12 VDC vibrator rated at 200 pounds
- Swing away chute
- Stainless Steel Inverted V
- Tie downs included

Compares to: Boss® VBX 8000, Fisher® PolyCaster, Western® Tornado, SnowEx® V-Maxx

PRO1500CH CHAIN ELECTRIC POLY HOPPER



patented

2-YEAR WARRANTY
on all
PRO Series
Spreaders

- **POWERFUL .75 HP** chain motor and **.5 HP** spinner motor
- **12" Wide Conveyor Chain**
- 12 VDC vibrator rated at 200 pounds
- Swing away chute
- Stainless Steel Inverted V
- Tie downs included

Compares to: Blizzard® Ice Chaser, Boss® VBX 8000, Western® Tornado

PRO2000 AUGER ELECTRIC POLY HOPPER



patented

2-YEAR WARRANTY
on all
PRO Series
Spreaders

- **POWERFUL .75 HP** auger motor and **.5 HP** spinner motor
- **5.25" FULL LENGTH Variable Pitch Auger**
- 12 VDC vibrator rated at 200 pounds
- Swing away chute
- Stainless Steel Inverted V
- Tie downs included

Compares to: Boss® VBX 8000, Fisher® PolyCaster, Western® Tornado, SnowEx® V-Maxx

PRO2000CH CHAIN ELECTRIC POLY HOPPER



patented

2-YEAR WARRANTY
on all
PRO Series
Spreaders

- **POWERFUL .75 HP** chain motor and **.5 HP** spinner motor
- **12" Wide Conveyor Chain**
- 12 VDC vibrator rated at 200 pounds
- Swing away chute
- Stainless Steel Inverted V
- Tie downs included

Compares to: Blizzard® Ice Chaser, Boss® VBX 8000, Western® Tornado

	PRO1500	PRO1500CH	PRO2000	PRO2000CH
IDEAL USE	Medium & Heavy-Duty Commercial	Medium & Heavy-Duty Commercial	Medium & Heavy-Duty Commercial	Medium & Heavy-Duty Commercial
CONSTRUCTION	Polyethylene	Polyethylene	Polyethylene	Polyethylene
CAPACITY	1.5 cu. yds.	1.5 cu. yds.	2.0 cu. yds.	2.0 cu. yds.
DIMENSIONS (H X W X L)	38" x 48" x 82" (min. bed length 5'6")	38" x 48" x 82" (min. bed length 5'6")	44.3" x 48" x 96" (min. bed length 6')	44.3" x 48" x 96" (min. bed length 6')
WEIGHT	647 lbs.	667 lbs.	705 lbs.	725 lbs.
FEED MECHANISM	5.25" Full Length Variable Pitch Auger	12" Conveyor Chain	5.25" Full Length Variable Pitch Auger	12" Conveyor Chain
AUGER/CHAIN MOTOR	12 VDC - .75 HP	12 VDC - .75 HP	12 VDC - .75 HP	12 VDC - .75 HP
SPINNER MOTOR	12 VDC - .50 HP	12 VDC - .50 HP	12 VDC - .50 HP	12 VDC - .50 HP
SPINNER	14" poly	14" poly	14" poly	14" poly
SPREAD WIDTH	5 ft. – 30 ft.	5 ft. – 30 ft.	5 ft. – 30 ft.	5 ft. – 30 ft.
CHUTE	Adjustable Swing Away	Adjustable Swing Away	Adjustable Swing Away	Adjustable Swing Away
CONTROL	In-Cab Console (3057918)	In-Cab Console (3057918)	In-Cab Console (3057918)	In-Cab Console (3057918)
VEHICLE APPLICATION*	3/4 and 1-ton trucks	3/4 and 1-ton trucks	Min. 10,000 lbs. GVW	Min. 10,000 lbs. GVW

* Truck Application is only a reference. The Gross Vehicle Weight (GVW) of the truck & calculated payload must be evaluated for each application.



Part No. 3057918 - In-Cab Controller with Independent Conveyor / Auger and Spinner Speeds, and Vibrator Control. Standard with PRO1500 Series, PRO2000 Series, PRO2500 Series, PRO3000 Series, PRO4000 Series, PRO6000 Series, 1400601SS, 1400701SS, and 1470601SSE



Swing-away chute for bulk unloading on PRO Series

For parts drawings and more information about all of our spreaders, visit BuyersProducts.com



COMMERCIAL DUTY, HIGH HORSEPOWER SPREADERS

SALTDogg SPREADERS

PRO2500 AUGER ELECTRIC POLY HOPPER



patented

- **POWERFUL .75 HP** auger motor and **.5 HP** spinner motor
- **5.25" FULL LENGTH Variable Pitch Auger**
- 12 VDC vibrator rated at 200 pounds
- Swing away chute
- Stainless Steel Inverted V
- Tie downs included

Compares to: Fisher® PolyCaster, Western® Tornado, SnowEx® V-Maxx

PRO2500CH CHAIN ELECTRIC POLY HOPPER



patented

- **POWERFUL .75 HP** chain motor and **.5 HP** spinner motor
- **12" Wide Conveyor Chain**
- 12 VDC vibrator rated at 200 pounds
- Swing away chute
- Stainless Steel Inverted V
- Tie downs included

Compares to: Blizzard® Ice Chaser, Western® Tornado

PRO3000 AUGER ELECTRIC POLY HOPPER



patented

- **POWERFUL .75 HP** auger motor and **.5 HP** spinner motor
- **5.25" FULL LENGTH Variable Pitch Auger**
- 12 VDC vibrator rated at 400 pounds
- Swing away chute
- Stainless Steel Inverted V
- Tie downs included
- Lids sold separately

PRO3000CH CHAIN ELECTRIC POLY HOPPER



patented

- **POWERFUL .75 HP** chain motor and **.5 HP** spinner motor
- **12" Wide Conveyor Chain**
- 12 VDC vibrator rated at 400 pounds
- Swing away chute
- Stainless Steel Inverted V
- Tie downs included
- Lids sold separately

	PRO2500	PRO2500CH	PRO3000	PRO3000CH
IDEAL USE	Medium & Heavy-Duty Commercial	Medium & Heavy-Duty Commercial	Medium & Heavy-Duty Commercial	Medium & Heavy-Duty Commercial
CONSTRUCTION	Polyethylene	Polyethylene	Polyethylene	Polyethylene
CAPACITY	2.5 cu. yds.	2.5 cu. yds.	3.0 cu. yds.	3.0 cu. yds.
DIMENSIONS (H X W X L)	44.3" x 48" x 116.5" (hopper length 116.5")	44.3" x 48" x 116.5" (hopper length 116.5")	53" x 50" x 124" (hopper length 114")	53" x 50" x 124" (hopper length 114")
WEIGHT	986 lbs.	1,023 lbs.	895 lbs.	1,095 lbs.
FEED MECHANISM	5.25" Full Length Variable Pitch Auger	12" Conveyor Chain	5.25" Full Length Variable Pitch Auger	12" Conveyor Chain
AUGER/CHAIN MOTOR	12 VDC - .75 HP	12 VDC - .75 HP	12 VDC - .75 HP	12 VDC - .75 HP
SPINNER MOTOR	12 VDC - .50 HP	12 VDC - .50 HP	12 VDC - .50 HP	12 VDC - .50 HP
SPINNER	14" poly	14" poly	14" poly	14" poly
SPREAD WIDTH	5 ft. – 30 ft.	5 ft. – 30 ft.	5 ft. – 30 ft.	5 ft. – 30 ft.
CHUTE	Adjustable Swing Away	Adjustable Swing Away	Adjustable Swing Away	Adjustable Swing Away
CONTROL	In-Cab Console (3057918)	In-Cab Console (3057918)	In-Cab Console (3057918)	In-Cab Console (3057918)
VEHICLE APPLICATION*	Min. 13,000 lbs. GVW	Min. 13,000 lbs. GVW	Min. 13,000 lbs. GVW	Min. 13,000 lbs. GVW

* Truck Application is only a reference. The Gross Vehicle Weight (GVW) of the truck & calculated payload must be evaluated for each application.



Part No. 3057918 - In-Cab Controller with Independent Conveyor / Auger and Spinner Speeds, and Vibrator Control. Standard with PRO1500 Series, PRO2000 Series, PRO2500 Series, PRO3000 Series, PRO4000 Series, PRO6000 Series, 1400601SS, 1400701SS, and 1470601SSE



OPTIONAL LIDS FOR PRO3000 SERIES

Part No. 3047876 Lids for PRO3000 Series



COMMERCIAL DUTY, HIGH HORSEPOWER SPREADERS



SALTDogg
SPREADERS

PRO4000

AUGER ELECTRIC POLY HOPPER



- **POWERFUL .75 HP** auger motor and **.5 HP** spinner motor
- **5.5" FULL LENGTH** Auger
- 12 VDC vibrator rated at 400 pounds
- Swing away chute
- Steel top screen
- Stainless Steel Inverted V
- Tie downs and tarp included

PRO4000CH

CHAIN ELECTRIC POLY HOPPER



- **POWERFUL .75 HP** chain motor and **.5 HP** spinner motor
- **14-1/2" Conveyor Chain**
- 12 VDC vibrator rated at 400 pounds
- Swing away chute
- Steel top screen
- Stainless Steel Inverted V
- Tie downs and tarp included

PRO4000H

AUGER HYDRAULIC POLY HOPPER



- **Independent Hydraulic auger and spinner motors**
- **5.5" FULL LENGTH** Auger
- 12 VDC vibrator rated at 400 pounds
- Swing away chute
- Steel top screen
- Stainless steel Inverted V
- Tie downs and tarp included

PRO4000HCH

CHAIN HYDRAULIC POLY HOPPER



- **Independent Hydraulic chain and spinner motors**
- **14-1/2" Conveyor Chain**
- 12 VDC vibrator rated at 400 pounds
- Swing away chute
- Steel top screen
- Stainless steel Inverted V
- Tie downs and tarp included

	PRO4000	PRO4000CH	PRO4000H	PRO4000HCH
IDEAL USE	Medium & Heavy-Duty Commercial	Medium & Heavy-Duty Commercial	Medium & Heavy-Duty Commercial	Medium & Heavy-Duty Commercial
CONSTRUCTION	Polyethylene/Stainless Steel	Polyethylene/Stainless Steel	Polyethylene/Stainless Steel	Polyethylene/Stainless Steel
CAPACITY	4.0 cu. yds.	4.0 cu. yds.	4.0 cu. yds.	4.0 cu. yds.
DIMENSIONS (H X W X L)	43.5" x 74" x 114.8" (hopper length 99.5")	43.5" x 74" x 114.8" (hopper length 99.5")	43.5" x 74" x 114.8" (hopper length 99.5")	43.5" x 74" x 114.8" (hopper length 99.5")
WEIGHT	895 lbs.	895 lbs.	895 lbs.	895 lbs.
FEED MECHANISM	5.5" Full Length Auger	14-1/2" Conveyor Chain	5.5" Full Length Auger	14-1/2" Conveyor Chain
AUGER/CHAIN MOTOR	12 VDC - .75 HP	12 VDC - .75 HP	19 Cubic Inch	3.17 Cubic Inch with 20:1 Gearbox
SPINNER MOTOR	12 VDC - .50 HP	12 VDC - .50 HP	3.17 Cubic Inch	3.17 Cubic Inch
SPINNER	18" poly	18" poly	18" poly	18" poly
SPREAD WIDTH	5 ft. – 30 ft.	5 ft. – 30 ft.	5 ft. – 30 ft.	5 ft. – 30 ft.
CHUTE	Adjustable Swing Away	Adjustable Swing Away	Adjustable Swing Away	Adjustable Swing Away
CONTROL	In-Cab Console (3014199)	In-Cab Console (3014199)	Not Included	Not Included
VEHICLE APPLICATION*	Min. 17,500 lbs. GVW	Min. 17,500 lbs. GVW	Min. 17,500 lbs. GVW	Min. 17,500 lbs. GVW

* Truck Application is only a reference. The Gross Vehicle Weight (GVW) of the truck & calculated payload must be evaluated for each application.



Part No. 3057918 - In-Cab Controller with Independent Conveyor / Auger and Spinner Speeds, and Vibrator Control. Standard with PRO1500 Series, PRO2000 Series, PRO2500 Series, PRO3000 Series, PRO4000 Series, PRO6000 Series, 1400601SS, 1400701SS, and 1470601SSE

ACCESSORIES

PART NO.	DESCRIPTION
3022215	Remote Grease Kit
3053051	Adjustable Spinner Disk for PRO/SHPE Series

For parts drawings and more information about all of our spreaders, visit BuyersProducts.com



PRO6000

AUGER ELECTRIC POLY HOPPER



- **POWERFUL .75 HP** auger motor and **.5 HP** spinner motor
- **6" FULL LENGTH** Auger
- 12 VDC vibrator rated at 900 pounds
- Swing away chute
- Steel top screen
- Stainless steel inverted V
- Forklift pockets
- Optional tarp

PRO6000CH

CHAIN ELECTRIC POLY HOPPER



- **POWERFUL .75 HP** chain motor and **.5 HP** spinner motor
- **14-1/2" Conveyor Chain**
- 12 VDC vibrator rated at 900 pounds
- Swing away chute
- Steel top screen
- Stainless steel inverted V
- Forklift pockets
- Optional tarp

PRO6000H

AUGER HYDRAULIC POLY HOPPER



- **Independent Hydraulic auger and spinner motors**
- **6" FULL LENGTH** Auger
- Swing away chute
- Steel top screen
- Stainless steel inverted V
- Forklift pockets
- Optional tarp

PRO6000HCH

CHAIN HYDRAULIC POLY HOPPER



- **Independent Hydraulic chain and spinner motors**
- **14-1/2" Conveyor Chain**
- Swing away chute
- Steel top screen
- Stainless steel inverted V
- Forklift pockets
- Optional tarp

	PRO6000	PRO6000CH	PRO6000H	PRO6000HCH
IDEAL USE	Medium & Heavy-Duty Commercial	Medium & Heavy-Duty Commercial	Medium & Heavy-Duty Commercial	Medium & Heavy-Duty Commercial
CONSTRUCTION	Polyethylene/Stainless Steel	Polyethylene/Stainless Steel	Polyethylene/Stainless Steel	Polyethylene/Stainless Steel
CAPACITY	6.0 cu. yds.	6.0 cu. yds.	4.0 cu. yds.	4.0 cu. yds.
DIMENSIONS (H X W X L)	57" x 77" x 133.5" (hopper length 127")	57" x 77" x 133.5" (hopper length 127")	57" x 77" x 133.5" (hopper length 127")	57" x 77" x 133.5" (hopper length 127")
WEIGHT	1,134 lbs.	1,426 lbs.	1,496 lbs.	1,864 lbs.
FEED MECHANISM	6" Full Length Auger	14-1/2" Conveyor Chain	6" Full Length Auger	14-1/2" Conveyor Chain
AUGER/CHAIN MOTOR	12 VDC - .75 HP	12 VDC - .75 HP	19 Cubic Inch	3.17 Cubic Inch with 20:1 Gearbox
SPINNER MOTOR	12 VDC - .50 HP	12 VDC - .50 HP	3.17 Cubic Inch	3.17 Cubic Inch
SPINNER	18" poly	18" poly	18" poly	18" poly
SPREAD WIDTH	5 ft. – 30 ft.	5 ft. – 30 ft.	5 ft. – 30 ft.	5 ft. – 30 ft.
CHUTE	Adjustable Swing Away	Adjustable Swing Away	Adjustable Swing Away	Adjustable Swing Away
CONTROL	In-Cab Console (3057918)	In-Cab Console (3057918)	Not Included	Not Included
VEHICLE APPLICATION*	Min. 25,999 lbs. GVW	Min. 25,999 lbs. GVW	Min. 17,500 lbs. GVW	Min. 17,500 lbs. GVW

* Truck Application is only a reference. The Gross Vehicle Weight (GVW) of the truck & calculated payload must be evaluated for each application.



Part No. 3057918 - In-Cab Controller with Independent Conveyor / Auger and Spinner Speeds, and Vibrator Control. Standard with PRO1500 Series, PRO2000 Series, PRO2500 Series, PRO3000 Series, PRO4000 Series, PRO6000 Series, 1400601SS, 1400701SS, and 1470601SSE

ACCESSORIES

PART NO.	DESCRIPTION
3022215	Remote Grease Kit
3053051	Adjustable Spinner Disk for PRO/SHPE Series

COMMERCIAL DUTY, HIGH HORSEPOWER SPREADERS



SALTDOGG
SPREADERS

PRO8000

AUGER ELECTRIC POLY HOPPER



NEW

2-YEAR WARRANTY
on all PRO Series Spreaders

- Shown with 3037102 Leg Stand and LS24 Pre-Wet System
- **POWERFUL .75 HP** auger motor and **.5 HP** spinner motor
- **5.25" FULL LENGTH Variable Pitch Auger**
- 12 VDC vibrator rated at 900 force pounds
- Swing up chute
- Steel top screen
- Stainless steel inverted V

PRO8000CH

CHAIN ELECTRIC POLY HOPPER



NEW

2-YEAR WARRANTY
on all PRO Series Spreaders

- Shown with 3037102 Leg Stand and LS24 Pre-Wet System
- **POWERFUL .75 HP** chain motor and **.5 HP** spinner motor
- **14-1/2" Conveyor Chain**
- 12 VDC vibrator rated at 900 force pounds
- Swing up chute
- Steel top screen
- Stainless steel inverted V

PRO8000H

AUGER HYDRAULIC POLY HOPPER



NEW

2-YEAR WARRANTY
on all PRO Series Spreaders

- Shown with 3037102 Leg Stand and LS24 Pre-Wet System
- **Independent Hydraulic auger and spinner motors**
- **5.25" FULL LENGTH Variable Pitch Auger**
- 12 VDC vibrator rated at 900 force pounds
- Swing up chute
- Steel top screen
- Stainless steel inverted V

PRO8000HCH

CHAIN HYDRAULIC POLY HOPPER



NEW

2-YEAR WARRANTY
on all PRO Series Spreaders

- Shown with 3037102 Leg Stand and LS24 Pre-Wet System
- **Independent Hydraulic chain and spinner motors**
- **14-1/2" Conveyor Chain**
- 12 VDC vibrator rated at 900 force pounds
- Swing up chute
- Steel top screen
- Stainless steel inverted V

	PRO8000	PRO8000CH	PRO8000H	PRO8000HCH
IDEAL USE	Medium & Heavy-Duty Commercial	Medium & Heavy-Duty Commercial	Medium & Heavy-Duty Commercial	Medium & Heavy-Duty Commercial
CONSTRUCTION	Polyethylene/Stainless Steel	Polyethylene/Stainless Steel	Polyethylene/Stainless Steel	Polyethylene/Stainless Steel
CAPACITY	8.0 cu. yds.	8.0 cu. yds.	8.0 cu. yds.	8.0 cu. yds.
DIMENSIONS (H X W X L)	62" x 82" x 146" (hopper length 134")	62" x 82" x 146" (hopper length 134")	62" x 82" x 146" (hopper length 134")	62" x 82" x 146" (hopper length 134")
WEIGHT	1,864 lbs.	2,020 lbs.	1,722 lbs.	1,902 lbs.
FEED MECHANISM	5.25" Full Length Variable Pitch Auger	14-1/2" Conveyor Chain	5.25" Full Length Variable Pitch Auger	14-1/2" Conveyor Chain
AUGER/CHAIN MOTOR	12 VDC - .75 HP	12 VDC - .75 HP	19 Cubic Inch	3.17 Cubic Inch with 20:1 Gearbox
SPINNER MOTOR	12 VDC - .50 HP	12 VDC - .50 HP	3.17 Cubic Inch	3.17 Cubic Inch
SPINNER	18" poly	18" poly	18" poly	18" poly
SPREAD WIDTH	5 ft. – 30 ft.	5 ft. – 30 ft.	5 ft. – 30 ft.	5 ft. – 30 ft.
CHUTE	Adjustable Swing Up	Adjustable Swing Up	Adjustable Swing Up	Adjustable Swing Up
CONTROL	In-Cab Console (3057918)	In-Cab Console (3057918)	Not Included	Not Included
VEHICLE APPLICATION*	Min. 33,000 lbs. GVW	Min. 33,000 lbs. GVW	Min. 33,000 lbs. GVW	Min. 33,000 lbs. GVW

* Truck Application is only a reference. The Gross Vehicle Weight (GVW) of the truck & calculated payload must be evaluated for each application.



Part No. 3057918 - In-Cab Controller with Independent Conveyor / Auger and Spinner Speeds, and Vibrator Control. Standard with PRO1500 Series, PRO2000 Series, PRO2500 Series, PRO3000 Series, PRO4000 Series, PRO6000 Series, 1400601SS, 1400701SS, and 1470601SS

ACCESSORIES

PART NO.	DESCRIPTION
3053051	Adjustable Spinner Disk for PRO/SHPE Series

For parts drawings and more information about all of our spreaders, visit BuyersProducts.com

PRO SERIES SPREADER STANDS

- Available in black powder-coated, hot-dipped galvanized finish or stainless steel
- Simplifies loading, unloading and storage of your mid-sized, PRO2500, PRO3000, and PRO4000 Series SaltDogg® spreader
- Adjustable legs to accommodate your bed height
- Built-in rollers make loading and unloading your spreader simple and smooth



3050559 shown

FOR PRO2500/PRO3000/PRO4000 SPREADERS

PART NO.	DESCRIPTION	WT.
3050559	8ft.-10ft. Spreader Stand, Steel	520 lbs.
3050560	8ft.-10ft. Spreader Stand, Galvanized	520 lbs.
3046442	8ft.-10ft. Spreader Stand, Stainless Steel	520 lbs.

FOR PRO8000 SPREADERS

PART NO.	DESCRIPTION	WT.
3025885	Spreader Stand for PRO8000, Steel	1038 lbs.
3027468	Spreader Stand for PRO8000, Galvanized	1038 lbs.
3046442	Spreader Stand for PRO8000, Stainless Steel	1038 lbs.

EZ LIDS™

- Helps keep moisture and debris out of your hopper to keep your material pure.
- Durable poly construction won't corrode and resists wear and tear.
- Easily attaches to the spreader using the included mounting hardware.



3034577 shown

PART NO.	DESCRIPTION	WT.
3034577	SaltDogg® EZ Lids™ for SHPE2000 and PRO2000 Spreaders	191 lbs.
3047876	SaltDogg® EZ Lids™ for PRO3000 Series Spreaders	83 lbs.

PRE-WET KIT (see page 46 for full details)

- Everything you need to install and run your pre-wet system.
- Helps salt stick to pavement and melt ice at lower ambient temperatures.
- Low maintenance electric drive.
- Sturdy corrosion resistant poly reservoir specially designed to fit against your spreader
- In-cab controls to easily adjust volume of liquid being applied.
- Includes tie downs and corrosion resistant stainless steel brackets.



LS13 shown

PART NO.	DESCRIPTION	WT.
LS13	SaltDogg® Pre-Wet Kit for PRO1500, PRO2000, and PRO2500 Series Spreaders With 60 Gallon Reservoir	131 lbs.

SHPE0400 ELECTRIC POLY HOPPER



2-YEAR WARRANTY
on all SHPE Spreaders

patented

- Stainless Steel Auger
- Independent spinner/auger control
- Includes 200 lb. vibrator, top screen, tarp, tie downs, and remote auger bearing grease kit

SHPE0400	
IDEAL USE	Residential/Light Commercial
CONSTRUCTION	Polyethylene
CAPACITY	0.40 cu. yd.
DIMENSIONS (H X W X L)	23" x 51" x 40" (hopper length 53")
WEIGHT	275 lbs
FEED MECHANISM	2-1/2" Stainless Steel Auger & Trough
AUGER MOTOR	12 VDC - .50 HP
SPINNER MOTOR	12 VDC - .25 HP
SPINNER	14" poly
SPREAD WIDTH	5 ft. – 30 ft.
CHUTE	Standard & Extended
CONTROL	In-Cab Console (3014199)
VEHICLE APPLICATION*	Utility Vehicles



Part No. 3014199 - Variable Speed Controller with Auto Reverse (to help clear auger jams) standard with SHPE0400, SHPE0750, SHPE1000, SHPE1500, SHPE2000

ELECTRIC DRIVE HOPPER SALT AND SAND SPREADERS



SALTDogg
SPREADERS

SHPE0750 ELECTRIC POLY HOPPER



patented

2-YEAR
WARRANTY
on all SHPE
Spreaders

- Stainless Steel Auger
- Independent spinner/auger control
- Includes 200 lb. vibrator, top screen, tarp, tie downs, and remote auger bearing grease kit

SHPE1000 ELECTRIC POLY HOPPER



patented

2-YEAR
WARRANTY
on all SHPE
Spreaders

- Stainless Steel Auger
- Independent spinner/auger control
- Includes 200 lb. vibrator, top screen, tarp, tie downs, and remote auger bearing grease kit

SHPE1500 ELECTRIC POLY HOPPER



patented

2-YEAR
WARRANTY
on all SHPE
Spreaders

- Stainless Steel Auger
- Independent spinner/auger control
- Includes 200 lb. vibrator, top screen, tarp, tie downs, and remote auger bearing grease kit

SHPE2000 ELECTRIC POLY HOPPER



patented

2-YEAR
WARRANTY
on all SHPE
Spreaders

- Stainless Steel Auger
- Independent spinner/auger control
- Includes 200 lb. vibrator, top screen, tarp, tie downs, & remote auger bearing grease kit

	SHPE0750	SHPE1000	SHPE1500	SHPE2000
IDEAL USE	Residential/Light Commercial	Light/Medium-Duty Commercial	Medium & Heavy-Duty Commercial	Medium & Heavy-Duty Commercial
CONSTRUCTION	Polyethylene	Polyethylene	Polyethylene	Black Polyethylene
CAPACITY	0.75 cu. yd.	1.00 cu. yds.	1.5 cu. yds.	2.0 cu. yds.
DIMENSIONS (H X W X L)	28" x 48" x 63.2" (hopper length 53")	34" x 48" x 71.5" (hopper length 68")	38" x 50.5" x 99.7" (hopper length 87.3")	40" x 47.8" x 100" (hopper length 96")
WEIGHT	280 lbs / 289 lbs*	343 lbs / 347 lbs*	520 lbs / 529 lbs*	560 lbs / 564 lbs*
FEED MECHANISM	2-1/2" Stainless Steel Auger & Trough	2-1/2" Stainless Steel Auger & Trough	2-1/2" Stainless Steel Auger & Trough	2-1/2" Stainless Steel Auger & Trough
AUGER MOTOR	12 VDC - .50 HP	12 VDC - .50 HP	12 VDC - .50 HP	12 VDC - .50 HP
SPINNER MOTOR	12 VDC - .25 HP	12 VDC - .25 HP	12 VDC - .25 HP	12 VDC - .25 HP
SPINNER	14" poly	14" poly	14" poly	14" poly
SPREAD WIDTH	5 ft. – 30 ft.	5 ft. – 30 ft.	5 ft. – 30 ft.	5 ft. – 30 ft.
CHUTE	Standard & Extended	Standard & Extended	Standard & Extended	Standard & Extended
CONTROL	In-Cab Console (3014199)	In-Cab Console (3014199)	In-Cab Console (3014199)	In-Cab Console (3014199)
VEHICLE APPLICATION*	Utility vehicles, 1/4, 1/2 and 3/4-ton trucks	1/2 and 3/4-ton trucks	3/4 and 1-ton trucks	Min. 10,000 lbs. GVW

* Truck Application is only a reference. The Gross Vehicle Weight (GVW) of the truck & calculated payload must be evaluated for each application.



Part No. 3014199 - Variable Speed Controller with Auto Reverse (to help clear auger jams) standard with SHPE0400, SHPE0750, SHPE1000, SHPE1500, SHPE2000



Part No. LS14 - 60 gal. prewet system for SHPE2000 (see page 44 for full details)

ACCESSORIES

PART NO.	DESCRIPTION
NEW 3057470	Chute Extension Kit, for use with all SHPE Series models
LS14	SHPE2000 Pre-Wet System
LS18	SHPE1500 Pre-Wet System

For parts drawings and more information about all of our spreaders, visit BuyersProducts.com





ELECTRIC AND HYDRAULIC DRIVE HOPPER SALT AND SAND SPREADERS

SALTDogg SPREADERS

1400601SS

2.0 CU. YDS. ELECTRIC CHAIN DRIVE



- **LARGE .75 HP** chain motor and **.5 HP** spinner motor
- 8' long hopper
- 12" wide conveyor chain
- Adjustable chute
- Tie downs included

Compares to:
Meyer®/Swenson® PV358 Electric, Henderson® FSP Electric, Air-Flo® PSV-8 Electric

1400801SS

1.8 CU. YDS. ELECTRIC CHAIN DRIVE



- **LARGE .75 HP** chain motor and **.5 HP** spinner motor
- 7' long hopper
- 12" wide conveyor chain
- Adjustable chute
- Tie downs included

Compares to:
Meyer®/Swenson® PV358 Electric, Henderson® FSP Electric, Air-Flo® PSV-8 Electric

	1400601SS	1400801SS
IDEAL USE	Medium & Heavy-Duty Commercial	Medium & Heavy-Duty Commercial
CONSTRUCTION	Stainless Steel	Stainless Steel
CAPACITY	2.0 cu. yds	1.8 cu. yds.
DIMENSIONS (H X W X L)	32.1" x 47" x 110.8" (hopper length 96")	32.1" x 46.8" x 97.5" (hopper length 84")
WEIGHT	995 lbs.	748 lbs.
FEED MECHANISM	12" Wide Conveyor Chain	12" Wide Conveyor Chain
FEED MOTOR	12 VDC - .75 HP (chain)	12 VDC - .75 HP (chain)
SPINNER MOTOR	12 VDC - .50 HP	12 VDC - .50 HP
SPINNER	14" poly	14" poly
SPREAD WIDTH	5 ft. – 30 ft.	5 ft. – 30 ft.
CHUTE	Adjustable Swing Chute	Adjustable Swing Chute
CONTROL	In-Cab Console (3057918)	In-Cab Console (3057918)
VEHICLE APPLICATION*	Min. 10,000 lbs. GVW	Min. 10,000 lbs. GVW

* Truck Application is only a reference. The Gross Vehicle Weight (GVW) of the truck & calculated payload must be evaluated for each application.



Part No. 3057918 - In-Cab Controller with Independent Conveyor / Auger and Spinner Speeds, and Vibrator Control. Standard with PRO1500 Series, PRO2000 Series, PRO2500 Series, PRO3000 Series, PRO4000 Series, PRO6000 Series, 1400601SS, 1400701SS, and 1470601SSE



ELECTRIC AND HYDRAULIC DRIVE HOPPER SALT AND SAND SPREADERS



SALTDOGG
SPREADERS

1470801SSE

1.8 CU. YDS. ELECTRIC AUGER DRIVE



- **POWERFUL .75 HP** auger motor and **.5 HP** spinner motor
- **5.25" FULL LENGTH** Variable Pitch Auger
- 12 VDC vibrator rated at 200 force pounds
- 7' long hopper
- Stainless Steel Inverted V
- Tie downs included
- **PRO Swing-away** chute

1470601SSE

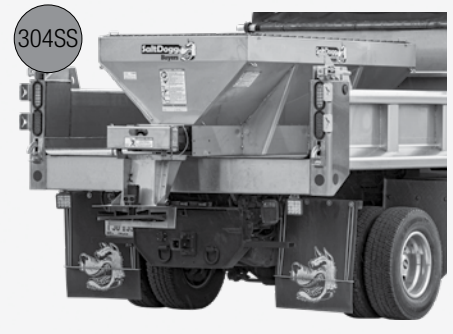
2.0 CU. YDS. ELECTRIC AUGER DRIVE



- **POWERFUL .75 HP** auger motor and **.5 HP** spinner motor
- **5.25" FULL LENGTH** Variable Pitch Auger
- 12 VDC vibrator rated at 200 force pounds
- 8' long hopper
- Stainless Steel Inverted V
- Tie downs included
- **PRO Swing-away** chute

1470601SSH

2.0 CU. YDS. HYDRAULIC AUGER DRIVE



- Independent hydraulic auger and spinner motors
- **5.25" FULL LENGTH** Variable Pitch Auger
- 8' long hopper
- Stainless Steel Inverted V
- Tie downs included
- **PRO Swing-away** chute

	1470801SSE	1470601SSE	1470601SSH
IDEAL USE	Medium & Heavy-Duty Commercial	Medium & Heavy-Duty Commercial	Medium & Heavy-Duty Commercial
CONSTRUCTION	Stainless Steel	Stainless Steel	Stainless Steel
CAPACITY	1.8 cu. yds	2.0 cu. yds.	2.0 cu. yds.
DIMENSIONS (H X W X L)	32.1" x 46.8" x 97.5" (hopper length 84")	32.3" x 47" x 111.8" (hopper length 96")	32.3" x 47" x 111.8" (hopper length 96")
WEIGHT	748 lbs.	705 lbs.	741 lbs.
FEED MECHANISM	12" Wide Conveyor Chain	5.25" full length steel variable pitch auger, stainless steel trough	5.25" full length steel variable pitch auger, stainless steel trough
FEED MOTOR	12 VDC - .75 HP (chain)	12 VDC - .75 HP (auger)	Hydraulic Auger Motor
SPINNER MOTOR	12 VDC - .50 HP	12 VDC - .50 HP	Hydraulic Spinner Motor
SPINNER	14" poly	14" poly	14" poly
SPREAD WIDTH	5 ft. – 30 ft.	5 ft. – 30 ft.	5 ft. – 30 ft.
CHUTE	Adjustable Swing Chute	Adjustable Swing Chute	Adjustable Swing Chute
CONTROL	In-Cab Console (3057918)	In-Cab Console (3057918)	–
VEHICLE APPLICATION*	Min. 10,000 lbs. GVW	Min. 10,000 lbs. GVW	Min. 10,000 lbs. GVW

* Truck Application is only a reference. The Gross Vehicle Weight (GVW) of the truck & calculated payload must be evaluated for each application.



Part No. 3057918 - In-Cab Controller with Independent Conveyor / Auger and Spinner Speeds, and Vibrator Control. Standard with PRO1500 Series, PRO2000 Series, PRO2500 Series, PRO3000 Series, PRO4000 Series, PRO6000 Series, 1400601SS, 1400701SS, and 1470601SSE



For parts drawings and more information about all of our spreaders, visit BuyersProducts.com

GAS DRIVE HOPPER SALT AND SAND SPREADERS

SALTDogg
SPREADERS

GAS STAINLESS STEEL HOPPER 1.8 CU. YDS.



- Electric start (battery included) with in-cab electric throttle
- 7' long hopper
- 12 VDC electric clutch has a three-position on-off-on in-cab switch
- Includes adjustable feed gate, top screen and Inverted V

Compares to: Henderson® FSP,
Swenson® PV & PolyHawk

GAS STAINLESS STEEL HOPPER 2.0 CU. YDS.



- Electric start (battery included) with in-cab electric throttle
- 8' long hopper
- 12 VDC electric clutch has a three-position on-off-on in-cab switch
- Includes adjustable feed gate, top screen and Inverted V

Compares to: Henderson® FSP,
Swenson® PV & PolyHawk

	1400202SS/1400252SS*	1400050SS/1400100SS*
IDEAL USE	Medium & Heavy-Duty Commercial	Medium & Heavy-Duty Commercial
CONSTRUCTION	Stainless Steel	Stainless Steel
CAPACITY	1.8 cu. yd.	2.0 cu. yds.
DIMENSIONS (H X W X L)	32.1" x 47" x 103.7" (hopper length 84")	32.1" x 47" x 115.7" (hopper length 96")
WEIGHT	805 lbs / 835 lbs*	843 lbs / 873 lbs*
FEED MECHANISM	12" Wide Conveyor Chain	12" Wide Conveyor Chain
MOTOR/ENGINE	10.5 HP Briggs & Stratton	10.5 HP Briggs & Stratton
SPINNER	12" poly	12" poly
SPREAD WIDTH	2 ft. – 30 ft.	2 ft. – 30 ft.
CHUTE	Standard & Extended	Standard & Extended
CONTROL	In-Cab Console (3010390)	In-Cab Console (3010390)
VEHICLE APPLICATION**	3/4 and 1-ton trucks	1-ton trucks

* Indicates Extended Chute Model.

** Truck Application is only a reference. The Gross Vehicle Weight (GVW) of the truck & calculated payload must be evaluated for each application.



Part No. 3010390 - Convenient in-cab controller features: Automatic Choke, Material Blast, Electric Clutch and Built in Circuit Breaker. Standard with 1400200SS, 1400250SS, 1400050SS, 1400100SS, 1400300SS



Part No. 3045818



NEW Part No. 3053219

ACCESSORIES

PART NO.	DESCRIPTION	WT. (LBS.)
3045818	Wireless Controller for Gas Spreaders	1.00
NEW 3063162	Remote Grease Kit	1.04
1496505	Tie Down Kit	8.64
NEW 3053219	Spill Shield, SST, Front/Rear	27.88

See available side extensions and tarps on pg. 19



REPLACEMENT PARTS FOR ELECTRIC DRIVE HOPPER SPREADERS

SALT
DOG
SPREADERS

SHPE0750, SHPE1000, SHPE1500, SHPE2000 SERIES

DESCRIPTION	PART NO.
Auger	3018007
Auger bearing	3018919
Auger gear motor	3009995
Auger motor only	3019085
Chute, standard	3025070
Chute, extended	3007527
Controller	3014199
Controller, rocker switches	3021616
Lids, SHPE2000	3034577
Spinner (14" Diameter, CW)	3012393
Spinner gear motor, std chute	3027293
Spinner gear motor, ext. chute	3006833
Spinner motor only	3012431
Shield	3025069
Tarp, SHPE0750	3011370
Tarp, SHPE1000	3022979
Tarp, SHPE1500	3006964
Tarp, SHPE2000	3008838
Tie down kit	1496505
Top screen, SHPE0750	3011727
Top screen, SHPE1000	3022978
Top screen, SHPE1500	3007039
Top screen, SHPE2000	3008390
Vibrator, 200 lb.	3007416
Wire harness	3006724
Wire harness repair kits:	
Truck side	3024188
Spreader side, spinner	3017238
Spreader side, vibrator & auger	3017233

PRO2000

DESCRIPTION	PART NO.
Auger	3035264
Auger bearing	9240086
Auger gear motor	3024575
Auger motor only	3014778
Chute, Adjustable	3031475
Controller	3057918
Controller 3016934, rocker switches	3014462
Lids, Spreader	3034577
Spinner (14" Diameter, CW)	3012393
Spinner motor	3030907
Tarp	3035377
Tie down kit	1496505
Top screen	3034599
Vibrator, 200 lb.	3007416
Wire harness	3030628
Wire harness repair kits:	
Truck side	3017233
Spreader side, spinner	3020301
Spreader side, auger	3024738

PRO2000CH

DESCRIPTION	PART NO.
Bearing, drive chain(cab side)	1411001
Bearing, drive chain (chute side)	1410200
Chain, Pintle, main	1401300
Chain, repair link for pintle	1401100RL
Chute (adjustable)	3031475
Controller	3057918
Controller 3016934, rocker switch	3014462
Gear Motor, Conveyor	3013821
Gear Motor, motor only	3014778
Inverted V	3035267
Lids, Spreader	3034577
Spinner (14" diameter, CW)	3012393
Spinner Motor	3030907
Sprocket (Chute side)	1410250
Tie down kit	1496505
Top Screen	3034599
Wire Harness	3030628
Wire Harness Repair kits:	
Truck side	3017233
Spreader side, spinner	3020301
Spreader side, auger	3024738

SHPE2250

DESCRIPTION	PART NO.
Auger bearing	9240086
Auger motor only	3014778
Controller	3057918
Spinner (14" Diameter, CW)	3012393
Spinner motor	3014078
Vibrator, 200 lb.	3007416
Wire harness	3016944

PRO2500

DESCRIPTION	PART NO.
Auger	3033660
Auger bearing	9240086
Auger Gear motor	3024575
Auger Motor only	3014778
Chute, Adj	3031475
Controller	3057918
Controller 3016934, rocker switches	3014462
Spinner (14" diameter, CW)	3012393
Spinner Motor	3030907
Tarp	3030857
Tie down kit	1496505
Top Screen	3030853
Vibrator, 200 lb.	3007416
Wire Harness	3030628
Wire Harness repair kits:	
Truck side	3017233
Spreader side, spinner	3017238
Spreader side, auger	3024738

REPLACEMENT PARTS FOR ELECTRIC DRIVE HOPPER SPREADERS

SALTDogg
SPREADERS

PRO2500CH

DESCRIPTION	PART NO.
Bearing, drive chain (cab side)	1411001
Bearing, drive chain (chute side)	1410200
Chain, Pintle, main	1401100P
Chain, repair link for pintle	1401100RL
Chute (adjustable)	3031475
Controller	3057918
Controller, rocker switch	3014462
Gear Motor, Conveyor	3013821
Gear Motor, motor only	3014778
Inverted V	3030863
Spinner (14" diameter, CW)	3012393
Spinner Motor	3030907
Sprocket (Chute side)	1410250
Tie down kit	1496505
Top Screen	3030853
Wire Harness	3030628
Wire Harness Repair kits:	
Truck side	3017233
Spreader side, spinner	3020301
Spreader side, auger	3024738

PRO3000

DESCRIPTION	PART NO.
Auger	3017358
Auger bearing (gearbox side)	1410200
Auger bearing (opposite gearbox side)	9240086
Auger gear motor	3013821
Auger motor only	3014778
Chute	3015954
Controller	3057918
Controller, rocker switches	3014462
Spinner (14" Diameter, CW)	3012393
Spinner bearing	2F12SCR
Spinner motor	3014078
Tie down kit	1496505
Lids	3047876
Top screen	3015999
Vibrator	3012081
Wire harness	3016944
Wire harness repair kits:	
Truck side	3017233
Spreader side, spinner	3017238
Spreader side, auger	3024738

PRO3000CH

DESCRIPTION	PART NO.
Bearing, Drive chain (Cab side)	1411001
Bearing, spinner	2F12SCR
Chain, pintle (Main)	1401100P
Chain, repair link for pintle	1401101RL
Lids	3047876
Chute	3015954
Controller	3057918
Controller, rocker switch	3014462

PRO3000CH, CONTINUED

DESCRIPTION	PART NO.
Drive chain (Chute side)	1410200
Gear motor, conveyor	3013821
Gear motor, motor only	3014778
Inverted V	3017393
Spinner (14" Diameter, CW)	3012393
Spinner bearing	2F12SCR
Spinner motor	3014078
Sprocket (Chute side)	1410250
Tie down kit	1496505
Top screen	3015999
Wire harness	3016944
Wire harness repair kits:	
Truck side	3017233
Spreader side, spinner	3017238
Spreader side, auger	3024738

PRO4000

DESCRIPTION	PART NO.
Auger	3012001
Auger bearing	2F24SCR
Auger gear motor	3038812
Controller	3014199
Controller, rocker switches	3021616
Spinner (14" Diameter, CW)	3012393
Spinner motor	3014078
Tarp	3012959
Tie down kit	1496505
Top screen	3012458
Vibrator, 400 lb.	3012081
Wire harness	3006724
Wire harness repair kits:	
Truck side	3024188
Spreader side, spinner	3017238
Spreader side, vibrator & auger	3017233

PRO4000CH

DESCRIPTION	PART NO.
Bearing, flanged	3008294
Bearing, heavy duty take-up	3008290
Chain, 9ft. Conveyor	3008860
Controller	3057918
Coupling, drive shaft/ gearbox	3008289
Gear motor, Conveyor	3024575
Gear motor, motor only	3014778
Gear motor, Spinner	3030222
Gear motor, motor only	3030562
Hold down kit, (4) straps	1496505

REPLACEMENT PARTS FOR ELECTRIC DRIVE HOPPER SPREADERS

SALT DOGG
SPREADERS

PRO4000CH, CONTINUED	
DESCRIPTION	PART NO.
Hook, tie down	3013589
Hub, Spinner	3030182
Inverted V	3039492
Lanyard, pin assembly	3030627
Shaft, idler sprocket	3008317
Shaft, sprocket, drive end	3008316
Spinner, 18" poly, CW	3030179
Sprocket, conveyor chain	3008300
Tarp	3012959
Top screen, wire mesh	3012458
Wire harness, Main	3030628
Wire harness repair kits:	
Truck side	3017233
Spreader side, spinner	3017238
Spreader side, auger	3024738
Wire harness, power cord 36"	0203700

PRO6000	
DESCRIPTION	PART NO.
Auger	3018639
Auger bearing (gearbox side)	1410200
Auger bearing (opposite gearbox side)	9240086
Auger gear motor	3013821
Auger motor only	3014778
Controller	3057918
Controller, rocker switch	3014462
Spinner (14" Diameter, CW)	3012393
Spinner motor	3014078
Tarp	3021928
Tie down kit	1496505
Top screen	3018857
Vibrator, 900 lb.	3019166
Wire harness	3016944
Wire harness repair kits:	
Truck side	3017233
Spreader side, spinner	3017238
Spreader side, auger	3024738

PRO6000CH	
DESCRIPTION	PART NO.
Bearing, flanged	3008294
Bearing, heavy duty take-up	3008290
Chain, conveyor	3008860
Controller	3057918
Cord, kit, replace for 3016943	3035938
Coupling, driveshaft/ gearbox	3008289

PRO6000CH, CONTINUED	
DESCRIPTION	PART NO.
Gear motor, conveyor	3024575
Gear motor only	3014778
Gear motor, spinner	3030222
Gear motor only	3030562
Hub, poly spinner	3030182
Inverted V	3036854
Lanyard pin assembly	3030627
Screen, wire mesh, half	3018857
Shaft, idler sprocket	3008317
Shaft, sprocket drive end	3008316
Spinner, 18" poly, CW	3030179
Vibrator	3019166
Wire harness, main	3030628
Wire harness repair kits:	
Truck side	3017233
Spreader side, spinner	3017238
Spreader side, auger	3024738
Wire harness, power cord 36"	0203700

1400701SS AND 1400601SS	
DESCRIPTION	PART NO.
Bearing, Drive chain (Cab side)	1411001
Bearing, Drive chain (Chute side)	1410200
Bearing, Spinner shaft, Upper	2F20SCR
Bearing, Spinner shaft, Lower (Prior to 2015)	2F12SCR
Bearing, Spinner shaft, Lower (2015 +)	1420101
1400701SS Chain, pintle (Main)	1401300
1400601SS Chain, pintle (Main)	1401100P
Chain, repair link for pintle	1401100RL
Chute, Adjustable	3017966
Controller	3057918
Controller, rocker switches	3014462
Motor, Gearbox	3013821
Motor only for gearbox	3014778
Spinner (14" Diameter, CW)	3012393
Spinner motor	3016309
Sprocket (Drive Assm)	1410250
1400701SS Tarp	1491701
1400601SS Tarp	1491501
Tie down kit	1496505
Top screen	3007349
Vibrator	3008046
Wire harness	3016944
Wire harness repair kits:	
Truck side	3017233
Spreader side, spinner	3017238
Spreader side, auger	3024738

REPLACEMENT PARTS FOR GAS DRIVE HOPPER SPREADERS

SALTDogg
SPREADERS

**1400050, 1400050SS, 1400100, 1400100SS, 1400200SS,
1400250SS, 1400300SS, 1400350SS**

DESCRIPTION	PART NO.
Battery	1410717
Bearing, Drive chain (Cab side)	1411001
Bearing, Drive chain (Chute side)	1410200
Bearing, Under clutch	1411000
Bearing, Spinner chute	1420101
Chain, clutch	1412300
Chain, pintle (Main), 1400200SS and 1400250SS	1401300
Chain, Pintle (Main) for 1400050, 1400100, 1400050SS, 1400100SS	1401100P
Chain, pintle (Main), 1400300SS, 1400350SS	1401500
Chain, spinner	1410711
Chain, repair link for pintle	1401100RL
Chute, Standard, SST	142005ASS
Chute, Extended, SST	1497505SS
Clutch	1401150
Controller w/ 28ft. wire harness	3010390
Controller, switch for clutch	3007300
Controller, switch for engine	3007301
Controller, switch for throttle	3007302
Coupler (Pintle chain)	1410706
Drive Shaft Kit	141036SSK
Gas engine	3006887
Gearbox	1410720
Inverted V, 1400200SS and 1400250SS	1499700SS
Inverted V, 1400050SS and 1400100SS	1499500SS
Inverted V, 1400300SS and 1400350SS	1499300SS
Side extensions, 12", for 8 ft., 1400050SS and 1400100SS	1493501SS
Spinner (12" Diameter)	3004611
Spinner shaft (23" standard)	1420150
Spinner shaft (35" extended)	142X150
Spinner shaft kit (23" standard)	141055K
Spinner shaft kit (35" extended)	141065K
Sprocket, clutch	1411800
Sprocket, drive assembly	1410250
Sprocket, engine	1411915
Sprocket, gearbox	1410702
Sprocket, spinner	1420004
Tarp, 1400200SS and 1400250SS	1491701
Tarp, 1400050, 1400100, 1400050SS and 1400100SS	1491501
Tarp, 1400300SS and 1400350SS	1491301
Throttle control	1411907

**1400050, 1400050SS, 1400100, 1400100SS, 1400200SS,
1400250SS, 1400300SS, 1400350SS, CONTINUED**

DESCRIPTION	PART NO.
Tie down kit	1496505
Top screen, 1400200SS and 1400250SS	1498561
Top screen, 1400050, 1400100, 1400050SS and 1400100SS	1498551
Top screen, 1400300SS and 1400350SS	1498571
Vibrator	3008046

2.5 – 3.2 CUBIC YARD CONVEYOR MID-SIZE HOPPER SPREADERS



Designed for dump bodies and flatbeds with a minimum 13,000 lbs. GVW chassis.



14709F382211

- Spread Material: bulk salt, bulk sand, salt & sand mix
- Feed Mechanism: 14-1/2" wide conveyor chain with 1/4" crossbars
- Power Source: gasoline, electric, or hydraulic
- 304 stainless steel hopper
- Adjustable Feedgate
- Available with: 10-1/2 HP gas engine, 2 independent electric motors, 2 independent hydraulic motors
- 2 Hinged top screens, 1/4" bars
- Inverted V, installed
- Bolt-on spinner housing
- 18" Poly spinner disc



Part No. 3057918 - Electric Controller (Included with electric models): In-cab controller with independent conveyor / auger and spinner speeds, and vibrator control



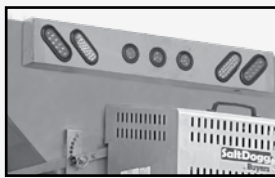
Part No. 3010390 - Gas Controller (Included with gas models): Automatic choke, material blast, electric clutch and built in circuit breaker

PART NO.	CAPACITY (YARDS)	DRIVE LINE	HOPPER LENGTH	HEIGHT	WIDTH	OVERALL LENGTH	WT. (LBS.)
MINIMUM 13,000 LBS. GVW*							
14708F380211	2.5	Electric Chain Drive	96"/8'	38"	58"	116"	1,426
14708F381211	2.5	Gas Engine Chain Drive	96"/8'	38"	58"	116"	1,455
14708F382211	2.5	Hydraulic Chain Drive	96"/8'	38"	58"	116"	1,498
14709F380211	2.8	Electric Chain Drive	108"/9'	38"	58"	128"	1,573
14709F381211	2.8	Gas Engine Chain Drive	108"/9'	38"	58"	128"	1,570
14709F382211	2.8	Hydraulic Chain Drive	108"/9'	38"	58"	128"	1,644
14710F380211	3.2	Electric Chain Drive	120"/10'	38"	58"	140"	1,668
14710F381211	3.2	Gas Engine Chain Drive	120"/10'	38"	58"	140"	1,666
14710F382211	3.2	Hydraulic Chain Drive	120"/10'	38"	58"	140"	1,631

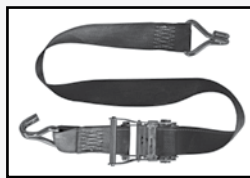
*Truck Application is only a reference. The Gross Vehicle Weight (GVW) of the truck & calculated payload must be evaluated for each application.



HV715EPG - Optional GPS Hydraulic Spreader Control Kit see pg. 115 for all control kits



8891145 - Optional Light bar



1496505 - Nylon Ratchet Straps (4 per kit)



3008560 - Optional Dump Tail Gate Latch Kit



Optional- Mid-Size Spreader Stands. Available in Black Powder Coat or Hot-Dipped Galvanized.

ACCESSORIES

PART NO.	DESCRIPTION	WT.
8891144	44" LED Light Bar Kit (Includes (2) Red LED Round STT lights, (2) Amber LED Round Strobe lights, (3) Red LED Round Marker lights, Wire Harness, (2) LED Load Equalizers and Light bar)	21 lbs.
8891145	44" LED Light Bar Kit (Includes (2) Red LED Oval STT lights, (2) Amber LED Oval Strobe lights, (3) Red LED Round Marker lights, Wire Harness, (2) LED Load Equalizers and Light bar)	21 lbs.
1496505	Nylon Ratchet Strap Mounting Kit (4 straps to a set)	9 lbs.
HV715EPG	Electric-Hydraulic Proportional Spreader Control Kit w/Garmin® GPS Ground Speed Antenna	31 lbs.
3008560	Dump Body Tailgate Latch	40 lbs.
3036588	Stainless Steel Dump Body Tailgate Latch	33 lbs.
NEW 3065003	Tailgate Lock Kit, Steel, Incl. (4) 5483027 Ratchet Tie Downs (3in x 27ft, Double J-Hook)	88 lbs
NEW 3065004	Tailgate Lock Kit, Stainless Steel, Incl.(4) 5483027 Ratchet Tie Downs (3in x 27ft, Double J-Hook)	108 lbs

See available mid-size spreader stands on pg. 26

For parts drawings and more information about all of our spreaders, visit BuyersProducts.com

REPLACEMENT PARTS FOR 2.5 – 3.2 CUBIC YARD CONVEYOR MID-SIZE HOPPER SPREADERS

SALTDUGG SPREADERS

ALL CHAIN DRIVE SPREADERS

DESCRIPTION PART NO.

Pintle Chain - 8FT (14708F)	3014539
Pintle Chain - 9FT (14709F)	3008860
Pintle Chain - 10FT (14710F)	3009114
Repair Link for Pintle Chain	1401101RL
Drive/Idler Sprocket	3008300
Drive Shaft Bearing	3008294
Take Up Bearing	3008290
Feedgate Weldment	3008338
Feedgate Lift Linkage	3008339
Feedgate Lever Handle	3011832
Wiper, Bottom Rear	3008872
Wiper, Top Front	3050273
Controller, Electric	3057918
Coupler, Motor to Gearbox	3009215
Chain Coupler, Gearbox Drive	3008289
Chain Coupler Shear Pin	1410803
Screen Retainer Pin	66053

HYDRAULIC CHAIN DRIVE

DESCRIPTION PART NO.

Gearbox, 20:1	1401200
Motor, Chain, Hydraulic	CM004P
Seal Kit, CM Series Motors	CMSK

ELECTRIC CHAIN DRIVE

DESCRIPTION PART NO.

Gearmotor, Chain, Electric	3024575
Motor Only, Chain	3014778
Connector Repair Kit, Electric Drive	3024738
Controller, Electric	3057918
Connector Kit, Controller Side	3017233
Rocker Switch, 3016934 Controller	3014462
Harness Kit, Battery to Controller	3035938
Wire, Enable	0203700
Harness, Controller to Spreader	3030628

HYDRAULIC CHUTE

DESCRIPTION PART NO.

Chute, Top Motor, Hydraulic	3031074
Spinner, 18in	3030179
Motor, Spinner, Hydraulic	CM004P
Seal Kit, CM Series Motors	CMSK

ELECTRIC CHUTE

DESCRIPTION PART NO.

Spinner, 18in	3030179
Gearmotor, Spinner, Electric	3030222
Motor Only, Spinner	3030562
Connector Repair Kit, Electric Spinner	3020301

GAS CHAIN DRIVE

DESCRIPTION PART NO.

Battery	1410717
Engine, 10.5HP	3006887
Throttle Control	1411907
Sprocket, Engine Output	1411915
Chain, Engine to Clutch	3009327
Sprocket, Clutch	1411800
Clutch Assembly	1401150
Locking Collar, Clutch	1411500
Bearing, under Clutch	1411000
Sprocket, Spinner Chain	1410702
Chain, Spinner	3009327
Gearbox, 20:1	1401200
Harness, Spreader	3009653
Controller w/Harness	3010390
Switch, Clutch	3007300
Switch, Engine	3007301
Switch, Throttle	3007302

ALL AUGER SPREADERS

DESCRIPTION PART NO.

Bearing, Auger	9240086
Cover, Rear Auger	3049873
Material Guide Weldment	3049427

HYDRAULIC AUGER

DESCRIPTION PART NO.

Motor, Auger, Hydraulic	CM074P
Sleeve, Auger Adapter, Hydraulic	9240083

ELECTRIC AUGER

DESCRIPTION PART NO.

Gearmotor, Chain, Electric	3024575
Sleeve, Auger Adapter, Electric	3033663
Motor Only, Chain	3014778
Connector Repair Kit, Electric Drive	3024738
Controller, Electric	3057918
Connector Kit, Controller Side	3017233
Rocker Switch, 3016934 Controller	3014462
Harness Kit, Battery to Controller	3035938
Wire, Enable	0203700
Harness, Controller to Spreader	3030628

GAS CHUTE

DESCRIPTION PART NO.

Chute, Gas, Midsize	3008388
Sprocket, Chute	3008835
Spinner, 18in	3008611

3.5 – 5.5 CUBIC YARD CONVEYOR MID-SIZE HOPPER SPREADERS



SALTDOGG
SPREADERS

Designed for dump bodies and flatbeds with a minimum 15,000 lbs. GVW chassis.



304SS

14710F461211 shown
with LS1 and 8891144

- Spread Material: bulk salt, bulk sand, salt & sand mix
- Feed Mechanism: 14-1/2" wide conveyor chain with 1/4" crossbars
- Power Source: gasoline, electric, or hydraulic
- 304 stainless steel hopper
- Available with either a 10-1/2 HP gas engine, 2 independent electric motors, or 2 independent hydraulic motors
- Inverted V, installed
- Spinner chute has two adjustable internal baffles
- 18" Poly spinner disc

Compares to: Henderson® FSM, Swenson® MDV



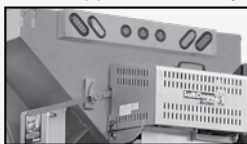
Part No. 3057918 - Electric Controller (Included with electric models): In-cab controller with independent conveyor / auger and spinner speeds, and vibrator control



Part No. 3010390 - Gas Controller (Included with gas models): Automatic choke, material blast, electric clutch and built in circuit breaker

PART NO.	CAPACITY (YARDS)	DRIVE LINE	HOPPER LENGTH	HEIGHT	WIDTH	OVERALL LENGTH	WT. (LBS.)
MINIMUM 15,000 LBS. GVW*							
14708F460211	3.5	Electric Chain Drive	96"/8'	46"	70"	116"	1,636
14708F461211	3.5	Gas Engine Chain Drive	96"/8'	46"	70"	116"	1,685
14708F462211	3.5	Hydraulic Chain Drive	96"/8'	46"	70"	116"	1,728
14709F460211	4.0	Electric Chain Drive	108"/9'	46"	70"	128"	1,803
14709F461211	4.0	Gas Engine Chain Drive	108"/9'	46"	70"	128"	1,800
14709F462211	4.0	Hydraulic Chain Drive	108"/9'	46"	70"	128"	1,874
MINIMUM 17,500 LBS. GVW*							
14710F460211	4.5	Electric Chain Drive	120"/10'	46"	70"	140"	1,913
14710F461211	4.5	Gas Engine Chain Drive	120"/10'	46"	70"	140"	1,911
14710F462211	4.5	Hydraulic Chain Drive	120"/10'	46"	70"	140"	1,876
MINIMUM 19,500 LBS. GVW*							
14709F520211	5.0	Electric Chain Drive	108"/9'	52"	70"	128"	1,910
14709F521211	5.0	Gas Engine Chain Drive	108"/9'	52"	70"	128"	1,907
14709F522211	5.0	Hydraulic Chain Drive	108"/9'	52"	70"	128"	1,981
14710F520211	5.5	Electric Chain Drive	120"/10'	52"	70"	140"	2,028
14710F522211	5.5	Hydraulic Chain Drive	120"/10'	52"	70"	140"	2,102
14710F521211	5.5	Gas Engine Chain Drive	120"/10'	52"	70"	140"	2,026

*Truck Application is only a reference. The Gross Vehicle Weight (GVW) of the truck & calculated payload must be evaluated for each application.



8891145 - Optional Light bar



LS1 - Optional Liquid Spray System (55 Gallon)



3045371 - 12" Spill Shield



HV715EPG - Optional GPS Hydraulic Spreader Control Kit see pg. 115 for all control kits



3008560 - Optional Dump Tail Gate Latch Kit

ACCESSORIES

PART NO.	DESCRIPTION	WT.
8891144	44" LED Light Bar Kit (Includes (2) Red LED Round STT lights, (2) Amber LED Round Strobe lights, (3) Red LED Round Marker lights, Wire Harness, (2) LED Load Equalizers and Light bar)	21 lbs.
8891145	44" LED Light Bar Kit (Includes (2) Red LED Oval STT lights, (2) Amber LED Oval Strobe lights, (3) Red LED Round Marker lights, Wire Harness, (2) LED Load Equalizers and Light bar)	21 lbs.
LS16 & LS17	Liquid Spray Systems	see pages 46-49 for full listing and prices
1496505	Nylon Ratchet Strap Mounting Kit (4 straps to a set)	9 lbs.
HV715EPG	Electric-Hydraulic Proportional Spreader Control Kit w/Garmin® GPS Ground Speed Antenna	31 lbs.
1497051	Cab Guard, Stainless Steel (70" x 22" x 51"), for 3.5-5.0 cubic yard models	205 lbs.
3045371	12" Spill Shield, for 70" Width Spreader Models	68 lbs.
3008560	Dump Body Tailgate Latch	40 lbs.
3036588	Stainless Steel Dump Body Tailgate Latch	33 lbs.

2.5 - 5.5 CUBIC YARD AUGER MID-SIZE HOPPER SPREADERS

Designed for dump bodies and flatbeds with a minimum 15,000 lbs. GVW chassis.

SALTDogg SPREADERS



14708F467211 shown with 3050559 Spreader Stand

- Spread Material: bulk salt, bulk sand, salt & sand mix
- Feed Mechanism: 5.25" full length variable pitch auger
- Power Source: electric or hydraulic
- 304 stainless steel hopper
- Available with 2 independent electric motors, or 2 independent hydraulic motors
- Inverted V, installed
- Spinner chute has one adjustable internal and two external baffles
- Flip Up Chute for easy service and material unload
- 18" Poly spinner disc



Part No. 3057918 - Electric Controller: In-cab controller with independent conveyor / auger and spinner speeds, and vibrator control

PART NO.	CAPACITY (YARDS)	DRIVE LINE	HOPPER LENGTH	HEIGHT	WIDTH	OVERALL LENGTH	WT. (LBS.)
MINIMUM 15,000 LBS. GVW*							
14708F383211	2.5	Hydraulic 5.25" Auger	96"/8'	38"	58"	116"	1,071
14708F387211	2.5	Electric 5.25" Auger	96"/8'	38"	58"	116"	1,149
14709F383211	2.8	Hydraulic 5.25" Auger	108"/9'	38"	58"	128"	1,176
14709F387211	2.8	Electric 5.25" Auger	108"/9'	38"	58"	128"	1,250
14710F383211	3.2	Hydraulic 5.25" Auger	120"/10'	38"	58"	140"	1,242
14710F387211	3.2	Electric 5.25" Auger	120"/10'	38"	58"	140"	1,327
14708F467211	3.5	Electric 5.25" Auger	96"/8'	46"	70"	116"	1,374
14708F463211	3.5	Hydraulic 5.25" Auger	96"/8'	46"	70"	116"	1,328
14709F467211	4.0	Electric 5.25" Auger	108"/9'	46"	70"	128"	1,489
14709F463211	4.0	Hydraulic 5.25" Auger	108"/9'	46"	70"	128"	1,444
14710F467211	4.5	Electric 5.25" Auger	120"/10'	46"	70"	140"	1,569
14710F463211	4.5	Hydraulic 5.25" Auger	120"/10'	46"	70"	140"	1,526
14709F527211	5.0	Electric 5.25" Auger	108"/9'	52"	70"	128"	1,597
14709F523211	5.0	Hydraulic 5.25" Auger	108"/9'	52"	70"	128"	1,551
14710F527211	5.5	Electric 5.25" Auger	120"/10'	52"	70"	140"	1,683
14710F523211	5.5	Hydraulic 5.25" Auger	120"/10'	52"	70"	140"	1,641

*Truck Application is only a reference. The Gross Vehicle Weight (GVW) of the truck & calculated payload must be evaluated for each application.

SPREADER STANDS

- Available in black powder-coated, hot-dipped galvanized finish or stainless steel
- Simplifies loading, unloading and storage of your mid-sized SaltDogg® spreader
- Adjustable legs to accommodate your bed height
- Built-in rollers make loading and unloading your spreader simple and smooth
- Sturdy 1/4in. structural steel tubing for durability

PART NO.	DESCRIPTION	WT.
3050559	Spreader Stand, 8ft.-10ft., Black Powder-Coated	520 lbs.
3050560	Spreader Stand, 8ft.-10ft., Galvanized	520 lbs.
3046442	Spreader Stand, 8ft.-10ft., Stainless Steel	520 lbs.

Works with PRO2500, PRO3000, and PRO4000 as well.



3050559 shown



REPLACEMENT PARTS FOR 3.5 – 5.5 CUBIC YARD MID-SIZE HOPPER SPREADERS

ALL CHAIN DRIVE SPREADERS

DESCRIPTION	PART NO.
Pintle Chain - 8FT (14708F)	3014539
Pintle Chain - 9FT (14709F)	3008860
Pintle Chain - 10FT (14710F)	3009114
Repair Link for Pintle Chain	1401101RL
Drive/Idler Sprocket	3008300
Drive Shaft Bearing	3008294
Take Up Bearing	3008290
Feedgate Weldment	3008338
Feedgate Lift Linkage	3008339
Feedgate Lever Handle	3011832
Wiper, Bottom Rear	3008872
Wiper, Top Front	3050273
Coupler, Motor to Gearbox	3009215
Chain Coupler, Gearbox Drive	3008289
Chain Coupler Shear Pin	1410803
Screen Retainer Pin	66053

HYDRAULIC CHAIN DRIVE

DESCRIPTION	PART NO.
Gearbox, 20:1	1401200
Motor, Chain, Hydraulic	CM004P
Seal Kit, CM Series Motors	CMSK

ELECTRIC CHAIN DRIVE

DESCRIPTION	PART NO.
Gearmotor, Chain, Electric	3024575
Motor Only, Chain	3014778
Connector Repair Kit, Electric Drive	3024738
Controller, Electric	3057918
Connector Kit, Controller Side	3017233
Rocker Switch, 3016934 Controller	3014462
Harness Kit, Battery to Controller	3035938
Wire, Enable	0203700
Harness, Controller to Spreader	3030628

HYDRAULIC CHUTE

DESCRIPTION	PART NO.
Chute, Top Motor, Hydraulic	3031074
Spinner, 18in	3030179
Motor, Spinner, Hydraulic	CM004P
Seal Kit, CM Series Motors	CMSK

ELECTRIC CHUTE

DESCRIPTION	PART NO.
Spinner, 18in	3030179
Gearmotor, Spinner, Electric	3030222
Motor Only, Spinner	3030562
Connector Repair Kit, Electric Spinner	3020301

GAS CHAIN DRIVE

DESCRIPTION	PART NO.
Battery	1410717
Engine, 10.5HP	3006887
Throttle Control	1411907
Sprocket, Engine Output	1411915
Chain, Engine to Clutch	3009327
Sprocket, Clutch	1411800
Clutch Assembly	1401150
Locking Collar, Clutch	1411500
Bearing, under Clutch	1411000
Sprocket, Spinner Chain	1410702
Chain, Spinner	3009327
Gearbox, 20:1	1401200
Harness, Spreader	3009653
Controller w/Harness	3010390
Switch, Clutch	3007300
Switch, Engine	3007301
Switch, Throttle	3007302

ALL AUGER SPREADERS

DESCRIPTION	PART NO.
Bearing, Auger	9240086
Cover, Rear Auger	3049873
Material Guide Weldment	3049427

HYDRAULIC AUGER

DESCRIPTION	PART NO.
Motor, Auger, Hydraulic	CM074P
Sleeve, Auger Adapter, Hydraulic	9240083

ELECTRIC AUGER

DESCRIPTION	PART NO.
Gearmotor, Chain, Electric	3024575
Sleeve, Auger Adapter, Electric	3033663
Motor Only, Chain	3014778
Connector Repair Kit, Electric Drive	3024738
Controller, Electric	3057918
Connector Kit, Controller Side	3017233
Rocker Switch, 3016934 Controller	3014462
Harness Kit, Battery to Controller	3035938
Wire, Enable	0203700
Harness, Controller to Spreader	3030628

GAS CHUTE

DESCRIPTION	PART NO.
Chute, Gas, Midsize	3008388
Sprocket, Chute	3008835
Spinner, 18in	3008611

6-16 CUBIC YARD MUNICIPAL HOPPER SPREADERS

SALTDogg
SPREADERS

SaltDogg Municipal spreaders are built from modular components to get you a custom spreader with a standard leadtime.



Available in lengths from 9'-20'
Heights 50"/57"/63"/69"



OPTIONAL CONFIGURATIONS

- Sloped hopper front for hoist/doghouse clearance
- Front Discharge
- Rear Hopper Tailgate for Bulk Unloading
- Inset Screen

FEATURES

- 304 stainless steel hopper
- Material spread up to 40'
- Adjustable feedgate
- Adjustable Inverted V, installed
- Quick release hinged chute (no tools needed)
- 20" Poly spinner disc (stainless steel disc available)

ACCESSORIES (PREINSTALLATION AVAILABLE)

- Front, Rear spill shields (full or 1/2)
- Belted Rubber Side spill shields
- Electric or Hydraulic Prewet Systems
- Slurry Tube Kit (Auger only)
- Remote Idler Bearing Adjust
- Speed Sense Motors
- Centralized Grease Manifold
- Chain Lubrication Kit
- Hopper Tailgate for Bulk Unloading
- Light Bars and Work/Utility Lights
- Stainless, Galvanized and Powdercoated Stands
- Stainless, Galvanized and Powdercoated Flat or Sloped Screens
- Standard and Platform Ladders
- Chute Crank Kit
- Diverter, Bulk unload, lane change, and airport spreader chute assemblies
- Stainless Steel Chain
- Rear Drive Augers
- 3.6:1 In-line Planetary Gearbox

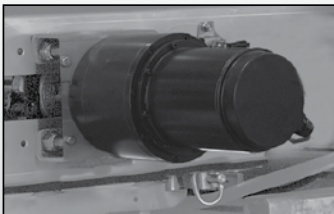
CALL FOR QUOTE. ADDITIONAL SIZES/CONFIGURATIONS AVAILABLE.

CONVEYOR SPREADERS

ELECTRIC DRIVE

- Two Independent 12V electric motors (3/4 HP chain motor; 1/2 HP spinner motor) with electric in-cab controller
- 24" wide conveyor chain with 1/4" bars
- 2" drive shaft and bearings with 8-tooth sprockets
- 1-1/2" spring loaded idler shaft and bearings with 8-tooth sprockets
- Sloped, hinged top screens

Compares to: Henderson® FSH, Swenson® EVBEL



High torque electric chain motor



24" wide conveyor chain with 1/4" bars



Shown with optional stand and liquid tanks

6-16 CUBIC YARD MUNICIPAL HOPPER SPREADERS



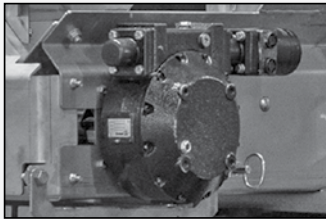
SALTDogg
SPREADERS

CALL FOR QUOTE. ADDITIONAL SIZES/CONFIGURATIONS AVAILABLE.

CONVEYOR SPREADERS HYDRAULIC DRIVE

- Two independent direct drive hydraulic motors for feed and spinner
- 24" wide conveyor chain with 3/8" bars
- Choice of three gearbox ratios: 50:1, 25:1 or 6:1
- 2" drive shaft and bearings with 8-tooth sprockets
- 1-1/2" spring loaded idler shaft and bearings with 8-tooth sprockets
- Hinged top screens, 3/8" bars on 2-1/2" openings

Compares to: Henderson® FSH, Swenson® EV-100/150/200



High torque hydraulic chain motor



24" wide conveyor chain with 3/8" bars

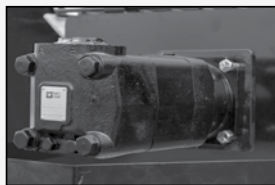


Shown with optional stand and liquid tanks

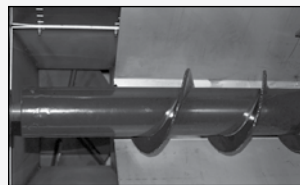
SINGLE & DUAL AUGER SPREADERS HYDRAULIC DRIVE

- Front mounted independent direct drive hydraulic motor
- Single or Dual 7" dia. auger with variable pitch design, 1/2" hard faced auger flighting
- Sloped hinged top screens, 3/8" bars on 2-1/2" openings

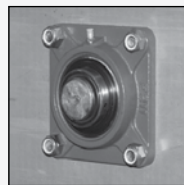
Compares to: Henderson® FSH, Swenson® EVA



High torque hydraulic auger motor



7" dia. auger with multi-pitch design, 1/2" hard faced flighting



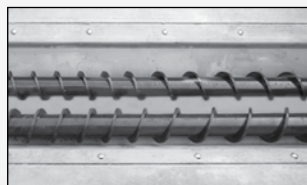
2" auger bearing



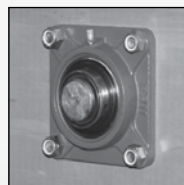
Shown with optional stand and liquid tanks



High torque hydraulic auger motor



Two 7" dia. auger with variable pitch design, 1/2" hard faced flighting



2" auger bearings



Shown with optional stand and liquid tanks



SPREADER STANDS

CALL FOR QUOTE

- Makes loading, unloading, and storage of full size SaltDogg® Spreaders simple and efficient
- Fits 9 ft. to 15 ft. SaltDogg® spreaders
- Structural steel and tubing construction
- Designed to accommodate spreaders with pre-wet tanks
- Bolt-on or weld-on
- Built-in rollers on the rear and sides make loading on/off easier
- Adjustable legs to accommodate various bed heights
- Black powder-coated, Stainless, or hot-dipped galvanized finish available



Shown with optional stand, spreader not included



Shown with optional stand, spreader not included

PART NO.	DESCRIPTION	WT.
3038266	Spreader Stand, 9ft., Black Powder-Coated	1,038 lbs.
3025885	Spreader Stand, 10ft.-11ft., Black Powder-Coated	1,038 lbs.
3025886	Spreader Stand, 12ft.-13ft., Black Powder-Coated	1,088 lbs.
3025887	Spreader Stand, 14ft.-15ft., Black Powder-Coated	1,138 lbs.
3038267	Spreader Stand, 9ft., Galvanized	1,038 lbs.
3027468	Spreader Stand, 10ft.-11ft., Galvanized	1,038 lbs.
3027469	Spreader Stand, 12ft.-13ft., Galvanized	1,088 lbs.
3027470	Spreader Stand, 14ft.-15ft., Galvanized	1,138 lbs.
3037102	Spreader Stand, 10ft.-11ft., Stainless Steel	1,038 lbs.
3062295	Spreader Stand, 12ft.-13ft., Stainless Steel	1,088 lbs.
3038085	Spreader Stand, 14ft.-15ft., Stainless Steel	1,138 lbs.

Flood Lights

- Rated IP67 for dust and water resistance
- Blunt cut wires



PART NO.	DESCRIPTION	LUMENS	VOLTS	AMPS
1492100	5" Clear, Incandescent	-	12V	2.92
1492110	5" Clear, LED	375	12-24V	3
1492111	5" Amber, LED	375	12-24V	3
1492112	5" Clear, LED	1,350	12-24V	1.5
1492198	4" Clear, Heated Ultra Bright LED	4,500	12-24V	6.6

MUNICIPAL HOPPER SPREADER ACCESSORIES



SALTDOGG
SPREADERS

66" Light Bar Kits

• Now comes fully assembled



8891166 Light Bar Kit



8891167 Light Bar Kit



8891168 Light Bar Kit

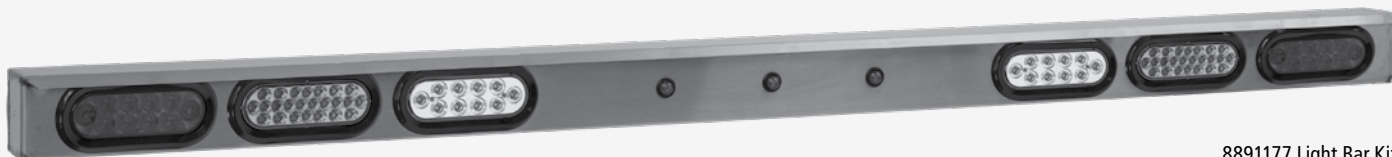


8891169 Light Bar Kit

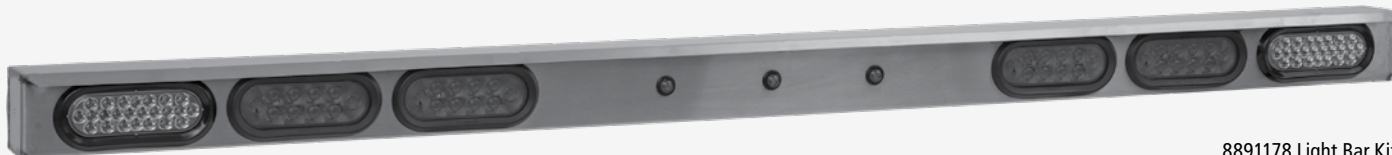
PART NO.	DESCRIPTION	WT.
8891166	66" LED Light Bar Kit (Includes 2) Red LED Round STT lights, (2) Clear LED Round Back-Up lights, (2) Amber LED Round Strobe lights, (3) Red LED Round Marker lights, Wire Harness, (2) LED Load Equalizers and Light bar	30 lbs.
8891167	66" LED Light Bar Kit (Includes 4) Red LED Round STT lights, (2) Amber LED Round Strobe lights, (3) Red LED Round Marker lights, Wire Harness, (2) LED Load Equalizers and Light bar	37 lbs.
8891168	66" LED Light Bar Kit (Includes 2) Red LED Oval STT lights, (2) Clear LED Oval Back-Up lights, (2) Amber LED Oval Strobe lights, (3) Red LED Round Marker lights, Wire Harness, (2) LED Load Equalizers and Light bar	37 lbs.
8891169	66" LED Light Bar Kit (Includes 4) Red LED Oval STT lights, (2) Amber LED Oval Strobe lights, (3) Red LED Round Marker lights, Wire Harness, (2) LED Load Equalizers and Light bar	37 lbs.

77" Light Bar Kits

• Now comes fully assembled



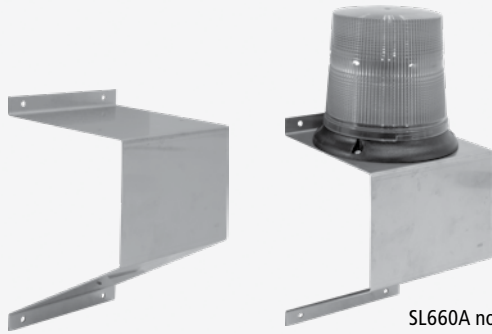
8891177 Light Bar Kit



8891178 Light Bar Kit

PART NO.	DESCRIPTION	WT.
8891177	77" LED Light Bar Kit (Includes 2) Red LED Oval STT lights, (2) Amber LED Oval Strobe lights, (2) Clear LED Oval Back-Up lights, (3) .75" Red LED Round Marker lights, Wire Harness, (2) LED Load Equalizers & Light bar	26 lbs.
8891178	77" LED Light Bar Kit (Includes 4) Red LED Oval STT lights, (2) Amber LED Oval Strobe lights, (3) .75" Red LED Round Marker lights, Wire Harness, (2) LED Load Equalizers & Light bar	26 lbs.

BEACON MOUNT BRACKET



SL660A not included

PART NO.	DESCRIPTION
8891003	Beacon Mount Bracket

DUMP BODY TAILGATE LOCK KITS



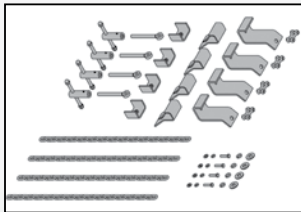
- 3" structural steel channel
- 1.25" pins
- Black powder-coated finish or stainless steel

PART NO.	DESCRIPTION	WT.
3008560	Steel Dump Body Tailgate Lock Kit	40 lbs.
3057654	HD SST Tailgate Lock Kit	61 lbs.

COMBINATION TAILGATE LOCK & TIE DOWN KITS

NEW 3065003	Tie Down Kit, Hopper, Tailgate Lock Kit Incl.(4) 5483027 Ratchet Tie Downs (3in x 27ft, Double J-Hook)	88 lbs
NEW 3065004	Tie Down Kit, Hopper, Stainless Steel Tailgate Lock Kit Incl.(4) 5483027 Ratchet Tie Downs (3in x 27ft, Double J-Hook)	108 lbs

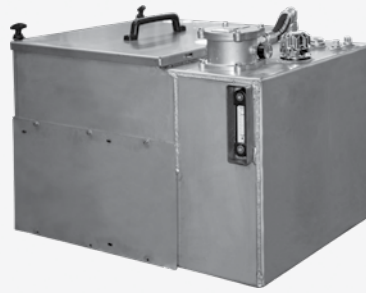
TIE DOWN KIT



PART NO.	DESCRIPTION	WT.
3010548	Tie Down Kit	79 lbs.

CENTRAL HYDRAULIC SYSTEM

(See pages 120-121 for Central Hydraulic Systems)



- 30 Gallon Capacity
- 6 Functions
- In-cab controllers
- Full color TFT-LCD touchscreen display
- High quality 304 stainless steel reservoir stands up to salt and weather

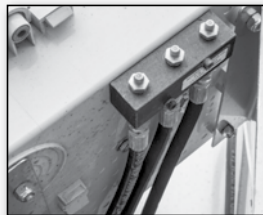
PART NO.	DESCRIPTION	WT.
6383060	30 Gal. CHS without GPS	354 lbs.
6383061	30 Gal. CHS with GPS	354 lbs.

RUBBER SIDE DEFLECTOR



PART NO.	DESCRIPTION	WT.
1492144	Belted Rubber Side Deflector 3/8" x 2' x 12' (1 Side Deflector Only)	56 lbs.

REMOTE GREASE KIT & CHAIN LUBRICATOR KIT



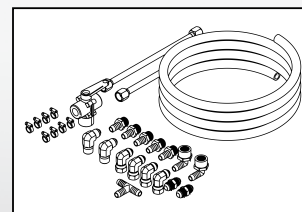
3037781 (Remote Grease Kit)



3020625 (Stainless Steel Chain Lubricator Kit)

PART NO.	DESCRIPTION	WT.
3037781	Remote Grease Kit	8.0 lbs.
3020625	Chain Lubricator Kit, SS	33 lbs.

DUAL SLURRY TUBE KIT



PART NO.	DESCRIPTION	WT.
3048652	Slurry Tube Kit for Auger Spreaders	42 lbs.

MUNICIPAL HOPPER SPREADER ACCESSORIES



SALTDOGG
SPREADERS

SPREADER LADDERS



3022060

PART NO.	DESCRIPTION	WT.
3022060	Stainless Steel Folding Ladder	36 lbs.
3048843	Stainless Steel Platform Ladder	63 lbs.

PRE-WET SYSTEMS (SEE PG. 46-49 FOR DETAILS)



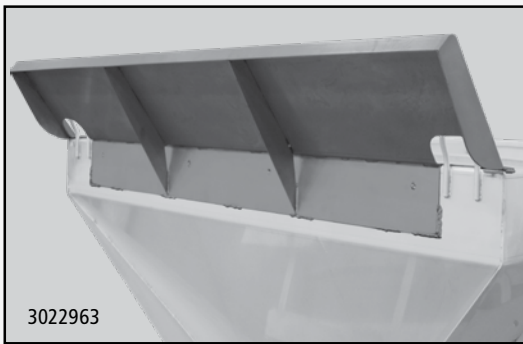
LS4 (Mounted on 14510F570121)



LS10 (Mounted on 14512F575111)

PART NO.	DESCRIPTION	WT.
LS4	Electric 105 Gallon Tank System	214 lbs.
LS5	Electric (2) 105 Gallon Tank System	348 lbs.
LS10	Electric (2) 400 Gallon Tank System	814 lbs.
LS20	Electric (2) 210 Gallon Tank System	907 lbs.

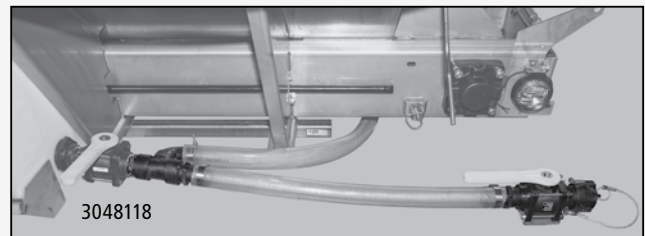
FRONT/REAR SPILL/CAB SHIELDS



3022963

PART NO.	DESCRIPTION	WT.
3022963	12" Front/Rear Spill/Cab Shield	82 lbs.
3048007	24" Front/Rear Spill/Cab Shield	148 lbs.

FAST FILL KIT AND FRESH WATER FLUSH KIT FOR MUNICIPAL PRE-WET



3048118



3050253

PART NO.	DESCRIPTION	WT.
3048118	Fast Fill Kit	52.3 lbs.
3050253	Fresh Water Flush Kit	0.68 lbs.

SPREADER CHUTE ACCESSORIES



3020626 (Crank)

PART NO.	DESCRIPTION	WT.
3020626	Crank Up Chute Kit	22 lbs.
3020704	16" Chute Extension, SS	31 lbs.

CHAIN DRIVE SPREADERS

DESCRIPTION	PART NO.
Pintle Chain - 9FT (14509F)	3020562
Pintle Chain - 10 FT (14510F/14511A)	3010653
Pintle Chain - 12 FT (14512F)	3015545
Pintle Chain - 14 FT (14514F)	3015134
Repair Link for Pintle Chain	1401102RL
Drive Sprocket	3010845
Drive Shaft Bearing	4F32SCR
Idler Shaft w/Sprockets	3010358
Idler Sprocket	3010846
Take Up Bearing	3010603
Feedgate Weldment	3046811
Feedgate Jack Assembly	3010443
Wiper, Bottom Rear	3010131
Wiper, Top Front	3046039
Steel Drive Sprocket 8-Tooth, 2" for 667X Chain	3037921

HYDRAULIC CHAIN DRIVE

DESCRIPTION	PART NO.
Gearbox, 25:1, 2" Shaft w/8T, 667X Sprockets	3010991
Gearbox, 50:1, 2" Shaft w/8T, 667X Sprockets	3010847
Motor, Chain, Hydraulic 25:1/50:1, 7.3 Cipr, 4 BOLT	CM034P
Gearbox, 6:1 Spur Gears w/ 2" Shaft	3035567
Motor, Chain, Hydraulic 6:1	CM092P
Seal Kit, CM Series Motors	CMSK

ELECTRIC CHAIN DRIVE

DESCRIPTION	PART NO.
Gearmotor, Chain, Electric 3/4HP	3034230
Motor Only, Chain, for Gear Box 3034230	3034231
Connector Repair Kit, Electric Drive	3024738
Drive Shaft, Electric	3032660
Controller, Electric	3057918
Connector Kit, Controller Side	3017233
Switch, Rocker for 3006620, Power and Vibr	3014462
Harness Kit, Battery to Controller	3035938
Wire, Enable	0203700
Harness, Controller to Spreader	3030628

SINGLE AND DUAL AUGER

DESCRIPTION	PART NO.
Motor, Auger, Hydraulic	62100003
Motor, Dual Auger, Hydraulic 970cc w/ Speed Sensor Splined Input Shaft	3058177
Bearing, Auger	4F32SCR
Flow Divider, Dual Auger	HFD5050SAE
Cover Grate, Rear Auger	3046688
Feedgate Cover	3046384
Sensor, Speed, for Motor 3058177	3058291

HYDRAULIC CHUTE

DESCRIPTION	PART NO.
Chute Adjustable, Low Motor, Hydraulic, Muni Spreader	3012519
Spinner, 20in	9240020
Disk Cover, Spinner, Hydraulic, Muni Spreader	3060222
Motor, Spinner, Hydraulic	CM004P
Seal Kit, CM Series Motors	CMSK
Motor, 2 Bolt, 24.9 Cu In, Replaces White 200400A1015AAZAA	CM092P

ELECTRIC CHUTE

DESCRIPTION	PART NO.
Chute, Top Motor, Electric	3039930
Spinner, 18in	3030179
Gearmotor, Spinner, Electric	3030222
Motor, Replacement for 3030222 Gear Motor	3030562
Connector Kit, TGS Series	3020301
Seal Kit, CM Series Motors	CMSK

SPECIAL MOTORS, FLIGHTING, PAINT AVAILABLE: CALL FOR QUOTE

HYDRAULIC UTS SPREADERS

STANDARD 8" SIDE PLATES

- Hydraulic safety lockout system
- 18" polyurethane spinner with 7 gpm motor
- Standard, driver side, or center discharge
- 6" Auger with 3/8" flighting
- Optional speed sensing motors

Compares to: Henderson® TGS, Swenson® SAD



PART NO.	DESCRIPTION	MATERIAL	DISCHARGE	WT. (LBS)
92420SSA	Direct drive	Stainless Steel	Standard	482
92425SSA	Direct drive	Stainless Steel	Drivers side	460
92428SSA	Direct drive	Stainless Steel	Center	575
92430SSA	5:1 Gearbox	Stainless Steel	Standard	515

HYDRAULIC UTS SPREADERS

EXTENDED 15" SIDE PLATES

- Hydraulic safety lockout system
- 18" polyurethane spinner with 7 gpm motor
- Standard or driver side discharge
- 6" Auger with 3/8" flighting
- Stainless steel construction
- Optional speed sensing motors
- Optional hard faced auger

Compares to: Henderson® TGS, Swenson® SAD

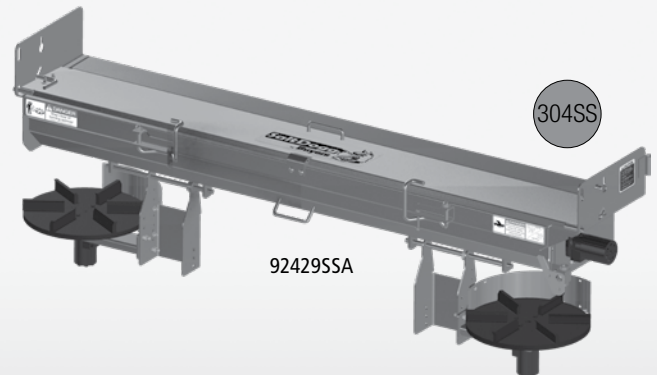


PART NO.	DESCRIPTION	MATERIAL	DISCHARGE	WT. (LBS)
92421SSA	Direct drive	Stainless Steel	Standard	575
92422SSA	Direct drive, hard faced auger	Stainless Steel	Standard	575
92426SSA	Direct drive	Stainless Steel	Drivers side	575
92427SSA	Direct drive, hard faced auger	Stainless Steel	Drivers side	575

DUAL SPINNER HYDRAULIC UTS SPREADERS

STANDARD 8" SIDE PLATES

- Unique dual spinner design is ideal for airport runways
- Handles bulk salt or a 50/50 sand/salt mix
- Works with 96" wide dump bodies
- 6" auger with 3/8" flighting
- Independent hydraulic auger and spinner motors
- 18" poly spinners cast material up to 40 ft



PART NO.	DESCRIPTION	MATERIAL	DISCHARGE	WT. (LBS)
92429SSA	Direct drive	Stainless Steel	Standard	500

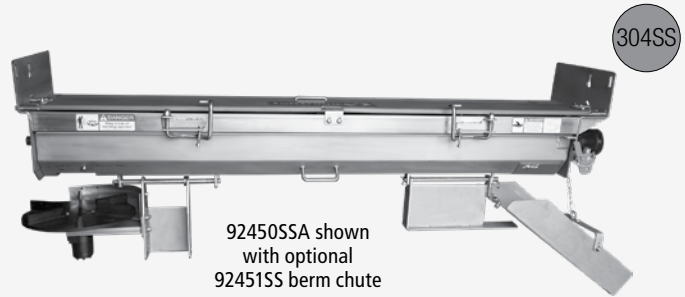
For parts drawings and more information about all of our spreaders, visit BuyersProducts.com



HYDRAULIC UTS SPREADERS

HEAVY-DUTY 9" AUGER

- Heavy Duty 9" diameter auger with 3/8" flighting
- Hydraulic safety lockout system
- 18" polyurethane spinner with 7 gpm motor
- Reversible driver or passenger side discharge
- Material can be discharged to either side driver side for spinner, passenger side for optional berm chute
- Stainless steel construction
- Optional berm chute kit (92451SS)
- Optional speed sensing motors



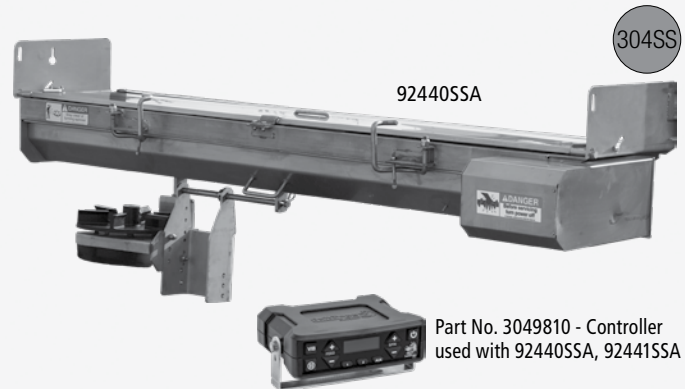
PART NO.	DESCRIPTION	MATERIAL	DISCHARGE	WT. (LBS)
92450SSA	Direct drive, 8" Side Plates	Stainless Steel	PS/DS	500
92452SSA	Direct drive, 15" Side Plates	Stainless Steel	PS/DS	609
92451SS	Berm Chute Kit	Stainless Steel	—	55

ELECTRIC UTS SPREADERS

STANDARD 8" SIDE PLATES

- **LARGE .75 HP** auger motor and **.4 HP** spinner motor
- 18" poly spinner
- Standard or center discharge
- 6" Auger w/ 3/8" flighting
- Stainless steel construction

Compares to: SnowEx® SP2200, Truckcraft® LC160, Swenson® SEL



PART NO.	DESCRIPTION	MATERIAL	DISCHARGE	WT. (LBS)
92440SSA	Direct drive	Stainless Steel	Standard	575
92441SSA	Direct drive	Stainless Steel	Center	575

UTS ACCESSORIES

SPILL SHIELDS FOR 8" SIDE PLATE SPREADERS

PART NO.	DESCRIPTION	WT. (LBS.)
924F0106SSPR	Tailgate Spill Shields, Stainless Steel	20
924F0106PR	Tailgate Spill Shields, Black Powder Coat	20

REPLACEMENT PARTS FOR UTS SPREADERS



SALTDogg
SPREADERS

UTS SERIES - HYDRAULIC	
DESCRIPTION	PART NO.
Auger - Standard Discharge	924F0081
Auger - Driver Side Discharge	3017487
Auger - Center Discharge	3024512
Auger Motor - Direct Drive Models	CM074P
Auger Motor - 5:1 Gearbox Models	CM034P
Spinner Motor - Hydraulic Models	CM004P
Auger Replacement Kit - Standard	924F0081AK
Auger Replacement Kit - Driver Side	3026661
Bearing, Auger	9240086
Auger Adapter, Poly, Hydraulic Models	9240083
Motor Adapter, Auger, Direct Drive Models Only	924F0084
Spinner and Hardware Kit, Stainless Steel	3006717A
Spinner and Hardware Kit, Carbon Steel	9242001A
Hub for spinner	924F0017A
Seal Kit - Hydraulic Motors	CMSK
Spinner (18" Dia., CCW)	3001472A
Vibrator Kit	3008046
Tray Latch Handle, CW - Stainless Steel	3027109
Tray Latch Handle, CCW - Stainless Steel	3027110

UTS SERIES - ELECTRIC	
DESCRIPTION	PART NO.
Auger - Standard Discharge	924F0081
Auger - Center Discharge	3024512
Bearing, Auger	1410200
Gearbox, Auger	3013821
Motor, Auger	3014778
Motor, Spinner	3016309
Auger Adapter, Poly, Electric Models	3014858
Controller	3057918
Rocker Switch, 3016934 Controller	3014462
Motor Cover, Spinner	3017174
Spinner (14" Dia., CCW)	3016394
Spinner Assembly Update Kit	3041324
Bottom Tray Cam Handle, CW - Stainless Steel	3027109
Bottom Tray Cam Handle, CCW - Stainless Steel	3027110
Vibrator Kit	3008046
Wire Harness	3016944
Repair Kit - Spinner Connection	3017238
Repair Kit - Auger Connection	3024738
Repair Kit - Truck Side Spinner/Auger Connector	3017233

REPLACEMENT TAILGATE SPREADER



Part No. 3049810 - Controller for electric drive used with 9035100, 9035101, 9035002

- Replaces standard dump tailgates
- Ideal for dump bodies with low ground clearance
- 304 stainless steel
- Material spread up to 25'
- Center or driver side discharge models
- Electric or direct hydraulic drive models
- 6" diameter auger with 3/8" dual flighting
- Hinged, full-length trough for easy clean out
- 18" poly spinner
- 84" width

PART NO.	DESCRIPTION
9035100	Electric Drive, Center Discharge
9035101	Electric Drive, DS Discharge
9035102	Hydraulic Drive, Center Discharge
9035103	Hydraulic Drive, DS Discharge

PART NO.	DESCRIPTION
5535002	Electric Drive, for DumperDogg® Insert only

REPLACEMENT TAILGATE SPREADER REPLACEMENT PARTS	
DESCRIPTION	PART NO.
Auger, Center Discharge	3032188
Auger, Driver Side Discharge	3032191
Bearing, Auger, Motor End Electric	1410200
Bearing, Auger	9240086
Gearbox, Auger	3013821
Motor, Auger, Electric	3014778
Motor, Auger, Hydraulic	CM074P
Motor, Spinner, Electric	3016309
Motor, Spinner, Hydraulic	CM004P
Auger Adapter, Poly, Electric	3014858
Auger Adapter, Poly, Hydraulic	9240083
Spinner, Electric, 14"	3016394
Spinner, Hydraulic, 18"	3001472A
Bottom Tray Cam Handle, SST, CW	3027109
Bottom Tray Cam Handle, SST, CCW	3027110
Controller, Electric	3057918
Rocker Switch, 3016934 Controller	3014462



For parts drawings and more information about all of our spreaders, visit BuyersProducts.com



MEDIUM DUTY MDS COMBINATION DUMP SPREADER FOR CLASS 4 - 7 TRUCKS

CUSTOM OPTIONS AVAILABLE, CALL FOR QUOTE

SALTDogg
SPREADERS



Capacity: 3 - 4 Cubic Yards

Spread Material: Bulk Salt, Bulk Sand, Salt/Sand Mix, Gavel, and Mulch

Feed Mechanism: 14-1/2" Wide Conveyor Chain with 1/4" Crossbars

Power Source: Available with Electric or Hydraulic Drive (Electric option eliminates need for central hydraulic system)

Features:

- 304 stainless steel construction
- 9' – 11' lengths
- Removable spinner assembly for easy switch between spreader and dump applications
- Mailhot® double-acting nitrided cylinder for powerful and reliable lifting and lowering
- Inverted Vee
- LED DOT truck lights
- Under chain floor pan
- Conveyor cover plate
- Full length subframe
- Easy electrically actuated rear lower tailgate latch
- Fully boxed dirt shedding top rails
- Side board pockets

Available Options:

- Cab shield: 1/4 or half
- Top screens
- Electric tarp
- Pre-wet
- Central hydraulics
- Topsider truck boxes



MDS MUNICIPAL COMBINATION DUMP SPREADER FOR CLASS 8 TRUCKS



CUSTOM OPTIONS AVAILABLE, CALL FOR QUOTE

SALTDOGG
SPREADERS

conveyor
option shown



shown with LS11 Liquid
Spray System



UPDATED
GEAR RATIO

Spread Material: Bulk Salt, Bulk Sand, Salt/Sand Mix, Gravel, and Mulch

Feed Mechanism: 30.25" Wide Conveyor with 1/2" Bars on Every Link Driven by Dual 6:1 Gear Box
OR 7" Dual Auger Drive

Power Source: Hydraulic

Features:

- 304 stainless steel construction.
- 9' – 15' lengths
- Removable conveyor cover plate
- Twin air cylinder tailgate latch
- LED DOT truck lights and rear strobes
- Fully boxed top rails
- Side board pockets
- Offset upper tailgate hardware
- All 7 gauge construction with 1/4" longills
- Tailgate is reinforced with both vertical and horizontal supports
- Chassis mounted spinner assembly is easily removable

Available Options:

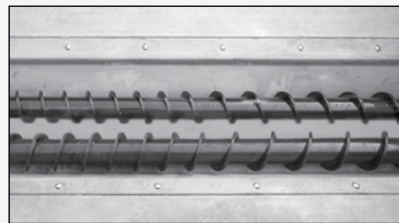
- Cab shield: half or full length
- Ladder
- Top Screens (Standard with dual auger bodies)
- Electric Tarp
- Under chain floor pan
- Pre-wet (320 gallon Pre Wet system)
- Central hydraulics
- Inverted V
- Full length stainless steel fenders
- AR400 conveyor plate
- Custom side heights



Mailhot® multi-stage, double-acting, nitrided cylinder, trunnion-mounted hoist



30.25" wide conveyor with 1/2" bars



Optional dual 7" auger drive



Dual air tailgate cylinders standard



"Hex flow" chute and 24" spinner with adjustable baffles for optimal spread pattern



Unique, roll-formed sides and cross memberless floor design

SALTDogg
SPREADERS

WB155BG CARBON STEEL FRAME | 100 LB CAPACITY



- Adjustable flowgate for bulk, bagged, and ice melt
- Includes hopper screen and plastic rain cover
- Spread range up to 24'
- 3 adjustable deflectors with fixed rear deflector
- Large 13" pneumatic tires with solid axle
- Material flow controlled by lever with solid control linkage
- Enclosed gearbox
- Fully-welded frame

Compares to:
SnowEx® SP-65 SP-85, SP85SS, Meyer® Hotshot 100HD, Western® WB100B

PART NO.	WT. (LBS.)
WB155BG	42

COMMON REPLACEMENT PARTS

DESCRIPTION	PART NO.
Enclosed gearbox	3027118
Restrictor plate	3012702
Restrictor clamp	3009218
Restrictor plate screw	3009219

DESCRIPTION	PART NO.
Spinner	3012696
Spinner shaft support	3012695
Wheel	3014857

WB400 DROP SPREADER



- Drop spread range 44"
- Stainless steel main frame, discharge, auger and shaft assembly
- 2.5 cubic feet poly hopper, 200 lbs max
- 13" pneumatic tires
- Flow regulator with solid control linkage
- Hopper screen, removable
- Plastic rain cover

Compares to: SnowEx® SD-95, Meyer® Hotshot 100, Western® WB-160D

PART NO.	WT. (LBS.)
WB400	67

HAND SALT SPREADER DURABLE BLACK HDPE POLY | 2.5 LITER CAPACITY



- Ideal for snow and ice melt, rock salt, fertilizer, seeds, weed killer, insect repellent
- 2.5 liter capacity
- 13" L x 5" W x 7" T
- Durable, black HDPE poly construction
- Adjustable fine-to-coarse flow gate
- Convenient wide mouth scoop fill or 1/4 turn removable lid for pouring
- Sturdy handle grip

PART NO.	WT. (LBS.)
9031120	1.5

WALK BEHIND, ATV, AND UTV SPREADERS



SALTDOGG
SPREADERS

ATVS15A RACK MOUNTED ATV SPREADER



- 15 gallon capacity
- Quick detachable mounting bracket
- Spread width up to 30'
- Adjustable shut-off gate
- 8-1/2' power cable with ON/OFF switch
- 12 VDC, 5 AMP
- Gravity feed
- Spreads dry free flowing materials *(not recommended for spreading powders or lime)*

PART NO.	WT. (LBS.)
ATVS15A	39

ATVS15A REPLACEMENT PARTS

DESCRIPTION	PART NO.
Lid	3009308
Motor	3000966
Spinner Disk	3013824

UTVS16 RECEIVER MOUNTED ATV/UTV SPREADER



- 15 gallon capacity
- 2" receiver mount
- Quick detachable mounting bracket
- Spread width up to 30'
- Adjustable shut-off gate
- 8-1/2' power cable w/ ON/OFF switch
- 12 VDC, 5 AMP
- Gravity feed
- Spreads dry free flowing materials

PART NO.	WT. (LBS.)
UTVS16	57.5

UTVS16 REPLACEMENT PARTS

DESCRIPTION	PART NO.
Lid	3009308
Motor	3000966
Spinner Disk	3013824

SHPE0400 ELECTRIC POLYMER UTV SPREADER | 0.40 CUBIC YARD



- 0.40 CY capacity
- Patented double wall construction
- Simple, low maintenance driveline with stainless steel auger and stainless steel bearing
- Independent spinner and auger control for optimal Material usage with a 5 to 30 ft spread
- 200 lb vibrator standard
- Tarp, tie downs and screen standard

PART NO.	WT. (LBS.)
SHPE0400	275

Includes
3014199 controller



For parts drawings and more information about all of our spreaders, visit BuyersProducts.com

POWERED BY 235 GPM HYDRAULIC PUMPS, WITH AN OIL REQUIREMENT OF 4-11 GPM



6192736
shown



Hydraulic Powered System Features

- **UV Stabilized, High Density Polyethylene Tank** - Tanks include internal baffling to help minimize "sloshing" for better vehicle control
- **Included Powder-Coated Leg Frame Stand** - For easy loading and unloading from the truck and convenient off-season storage
- **Stainless Steel Spray Bar** - One or three lane liquid coverage
- **Clip-On Spray Nozzles w/ Adjustable Angle** - Nozzles adjust to apply proper surface coverage and are removable for easy cleaning and maintenance
- **Manifold-Type Fittings** - Built with glass-injected polypropylene to support leak-free connections and easy service
- **Self Loading & Emptying Pump** - Utilize the pump of the system to load and empty tank

STANDARD HYDRAULIC CONFIGURATIONS

PICK YOUR TANK, SPRAY BAR, FEEDBACK, AND STAND, THEN CONTACT US FOR A QUOTE

SaltDogg's modular anti-ice systems gives you the system you need for your application

TANK SIZE

- 550 gal
- 735 gal
- 1065 gal
- 1750 gal

SPRAY BAR

- 1 Lane PVC
- 1 Lane Stainless
- 3 Lane Stainless

FEEDBACK

- None
- Flowmeter

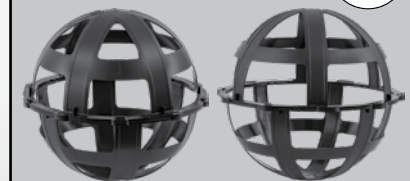
STAND

- Black Powdercoat Stand (Standard)
- Black Powdercoat Platform
- Galvanized Stand/Platform
- Stainless Steel Stand/Platform

HYDRAULIC POWERED SYSTEM ACCESSORIES

PART NO.	DESCRIPTION
NEW 6198002	11" Surge Reducer
NEW 6198012	14.5" Surge Reducer
LSV12	Valve, 12 VDC, Liquid Spray (Needed if hydraulic system has no proportional flow channel)
WSE1	Controller, Wet Spray System
3035046	Hose Reel Kit
9021000P	Micro-Track® Roadmaster™ controller w/PWM Control (Use with Flowmeter and LSV12)

NEW



6198002 - 1 Surge Reducer Per 5 Gallon Capacity

6198012 - 1 Surge Reducer Per 10 Gallon Capacity

ANTI-ICE SYSTEMS GAS ENGINE POWERED



POWERED BY HONDA® ENGINES: 5 HP FOR 185 GPM SYSTEMS/2.8 HP FOR 25 GPM SYSTEMS



6191121 shown above with optional 3035046 hose reel and spray gun kit



Gas Engine Powered System Features

- **UV Stabilized, High Density Polyethylene Tank** - Tanks include internal baffling to help minimize "sloshing" for better vehicle control
- **Included Powder-Coated Leg Frame Stand** - For easy loading and unloading from the truck and convenient off-season storage
- **Stainless Steel Spray Bar** - One or three lane liquid coverage
- **Clip-On Spray Nozzles w/ Adjustable Angle** - Nozzles adjust to apply proper surface coverage and are removable for easy cleaning and maintenance
- **Manifold-Type Fittings** - Built with glass-injected polypropylene to support leak-free connections and easy service
- **Self Loading & Emptying Pump** - Utilize the pump of the system to load and empty tank

STANDARD GAS ENGINE POWERED SYSTEM CONFIGURATIONS

PICK YOUR TANK, SPRAY BAR, FEEDBACK, AND STAND, THEN CONTACT US FOR A QUOTE

SaltDogg's modular anti-ice systems gives you the system you need for your application

TANK SIZE

- 550 gal
- 735 gal
- 1065 gal
- 1750 gal

SPRAY BAR

- 1 Lane PVC
- 1 Lane Stainless
- 3 Lane Stainless

FEEDBACK

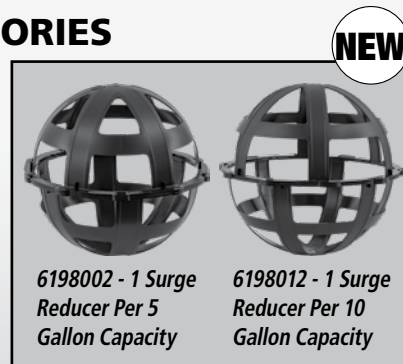
- None
- Flowmeter

STAND

- Black Powdercoat Stand (Standard)
- Black Powdercoat Platform
- Galvanized Stand/Platform
- Stainless Steel Stand/Platform

GAS ENGINE POWERED SYSTEM ACCESSORIES

PART NO.	DESCRIPTION
NEW 6198002	11" Surge Reducer
NEW 6198012	14.5" Surge Reducer
3035046	Hose Reel Kit
9021000	Micro-Track® Roadmaster™ Servo Controller (Use with Flowmeter feedback)



6198002 - 1 Surge Reducer Per 5 Gallon Capacity

6198012 - 1 Surge Reducer Per 10 Gallon Capacity

NEW



9021000, Micro-Track® Roadmaster™ Controller provides precise and automatic liquid application

POWERED BY A 12V, 18 AMP, 6 GPM ELECTRIC PUMP

SALTDogg
SPREADERS



6190170 shown



6190120 shown
with optional 3039076 hose
reel and spray gun kit

Includes an Electric On/Off Backlit Switch

Any flow rate adjustments must be made on electric pump valve.

- Backlit switch turns pump on/off for simple operation.



6391001

Optional Hose & Reel Kit



- Lets you apply anti-ice solution to sidewalks, steps, and hard to reach areas.
- Activates your anti-ice system pump on demand.
- Spring retractable hose stores on a handy, compact reel.
- Adjustable spray nozzle lets you regulate flow

3039076

Electric Powered System Features

- **UV Stabilized, High Density Polyethylene Tank** - For reliable, corrosion resistant brine storage
- **Hitch-Mounted Electric Pump and PVC Spray Bar** - Easily remove pump enclosure and spray bar when not in use
- **Clip-On Spray Nozzles with Adjustable Angle** - Nozzles adjust to apply proper surface coverage and remove for easy cleaning and maintenance
- **Electric Operation** - For quiet, easy-to-maintain operation ideal for most off-road applications

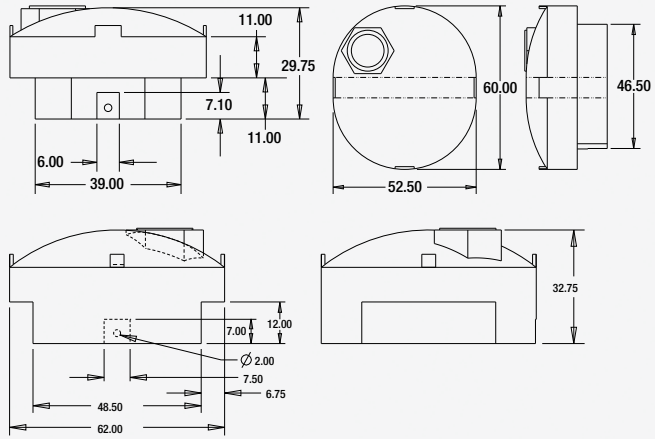
MODEL	APPLICATION RATE CONTROL	TANK SIZE (GALLONS)	FLOW RATE	SPRAY BAR
6190110	Manual	tank not included	6 GPM	1 Lane PVC
6190120	Manual	55	6 GPM	1 Lane PVC
6190150	Manual	210	6 GPM	1 Lane PVC
6190160	Manual	325	6 GPM	1 Lane PVC
6190170	Manual	550	6 GPM	1 Lane PVC

3039076 Hose Reel/Nozzle Kit, 1/2"x50'

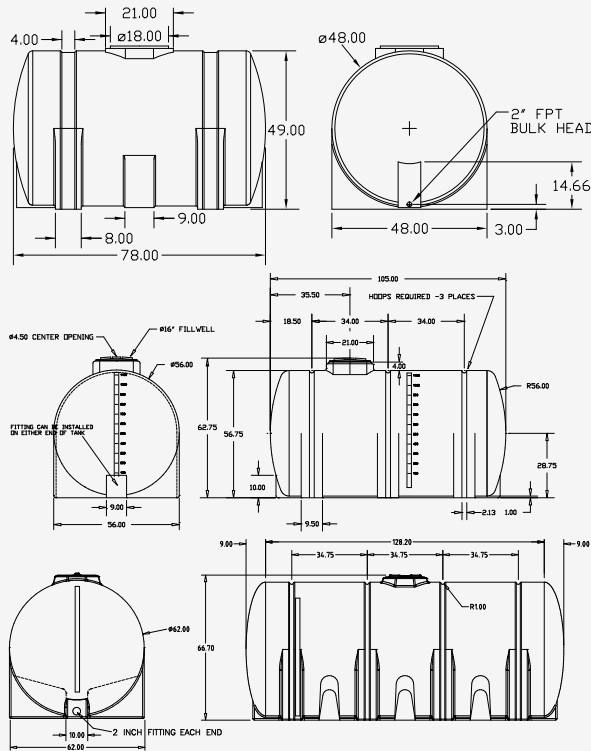
POLYETHYLENE TANKS



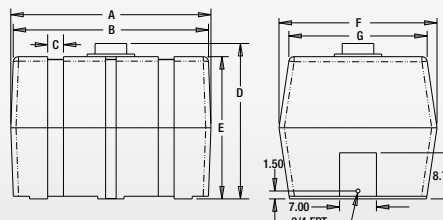
SALTDOGG
SPREADERS



PART NO.	CAPACITY	DIMENSIONS (LxWxH)	PORTS	WT. (LBS.)
82124639	210 gal	60" x 52.5" x 29.75"	2" FPT Port	90
82124649	325 gal	63-5/16" x 52.5" x 32.75"	2" FPT Port	110



PART NO.	CAPACITY	DIMENSIONS (LxWxH)	PORTS	BAFFLES	WT. (LBS.)
82124269	550 gal	78" x 48" x 49"	2" FPT Port	-	160
3027742	1,065 gal	105" x 56" x 62.75"	2" FPT Port	internal	500
3035110	1,750 gal	146" x 62" x 67"	2" FPT Port	internal	340



PART NO.	CAPACITY	A	B	C	D	E	F	G	PORTS	WT. (LBS.)
82123909	30 gal	23"	24"	2.5"	22.5"	20"	19"	18"	3/4" FPT Port	18
82123919	50 gal	38"	37"	2.5"	22.5"	20"	19"	18"	3/4" FPT Port	25
82123929	100 gal	38"	37"	3"	29.5"	27"	30"	26"	3/4" FPT Port	40

ALL PRE-WET SYSTEMS INCLUDE

- Tank(s) with:
 - Stainless steel mounting bracket and hardware
 - Tie down strap(s) (for mounting)
- Pre-plumbed/wired enclosure:
- Electric Systems
 - WSE1 Variable Speed Electronic Controller and harness
 - 12V, 3GPM diaphragm self-priming pump
- Hydraulic Systems
 - WSE75 Hydraulic Controller and harness
 - 8 GPM Stainless/Bronze Gear Pump Manual flow control

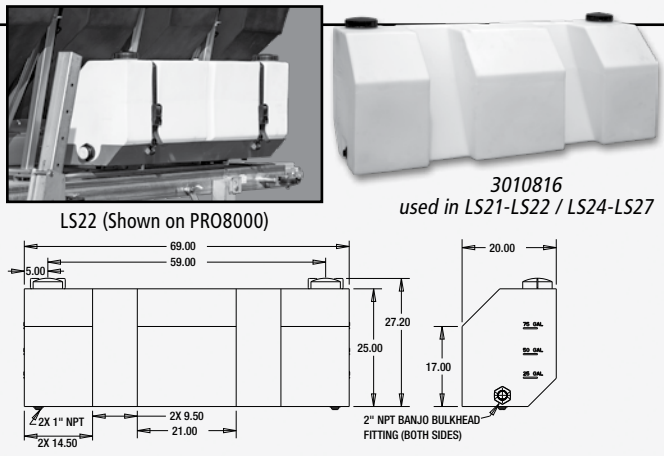
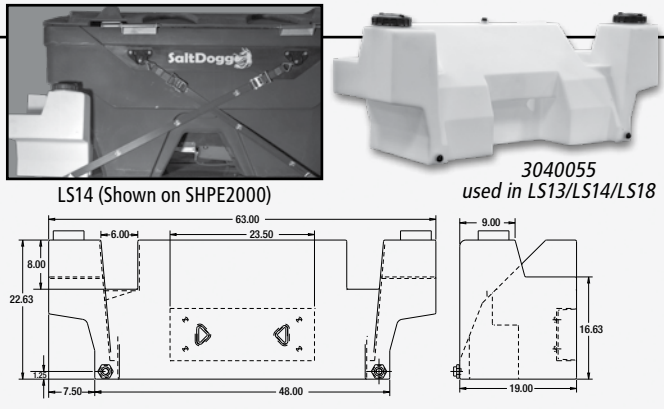


WSE1 - Electric Controller



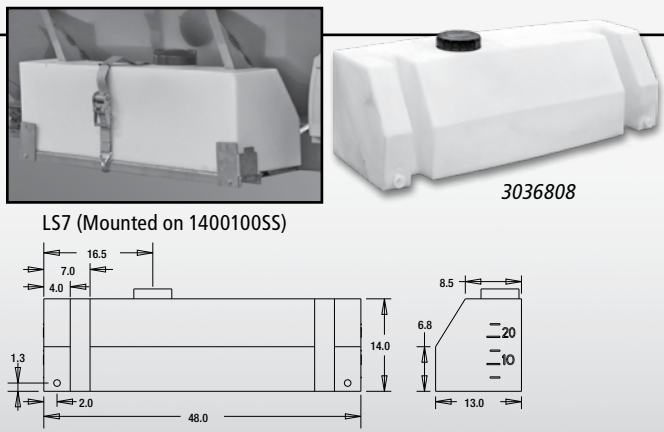
WSE75 - Hydraulic Controller

PRE-WET KITS FOR SHPE SERIES SPREADERS AND PRO SERIES SPREADERS



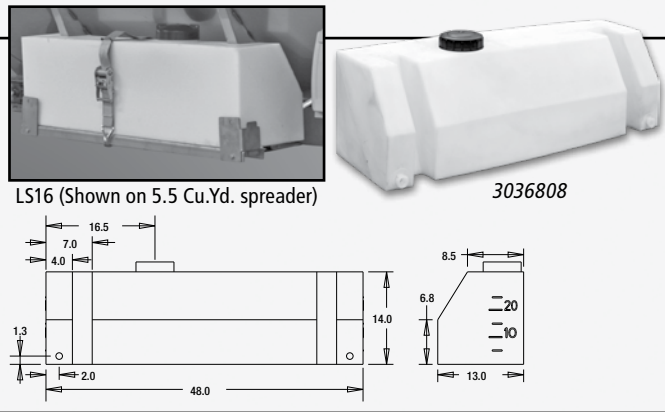
PART NO.	DESCRIPTION	WT.
LS13	Electric 60 Gallon Tank System for PRO1500, PRO2000 and PRO2500 Series	139
LS14	Electric 60 Gallon Tank System for SHPE2000 (2018+ Models)	143
LS18	Electric 60 Gallon Tank System for SHPE1500 (2021+ Models)	142
LS24	Electric 105 Gallon Tank System for PRO4000	214
LS24H	Hydraulic 105 Gallon Tank System for PRO4000	296
LS25	Electric 2x105 Gallon Tank System for PRO4000	348
LS25H	Hydraulic 2x105 Gallon Tank System for PRO4000	456
LS26	Electric 105 Gallon Tank System for PRO6000	348
LS26H	Hydraulic 105 Gallon Tank System for PRO6000	456
LS27	Electric 2x105 Gallon Tank System for PRO6000	348
LS27H	Hydraulic 2x105 Gallon Tank System for PRO6000	456
LS21	Electric 105 Gallon Tank System for PRO8000	214
LS21H	Hydraulic 105 Gallon Tank System for PRO8000	293
LS22	Electric 2x105 Gallon Tank System for PRO8000	348
LS22H	Hydraulic 2x105 Gallon Tank System for PRO8000	380
LS23	Electric 2x210 Gallon Tank System for PRO8000	348
LS23H	Hydraulic 2x210 Gallon Tank System for PRO8000	958
3040055	Tank Only, 69" x 19" x 23", 3/4" NPT Ports (used in LS13/LS14/LS18)	46
3010816	Tank Only, 63" x 20" x 26.5", (2) 3/4" NPT Ports, (2) 1" NPT Ports	62
WSE1	Electric Controller, Wet Spray System	2
WSE75	Hydraulic Controller, Wet Spray System	3.95

PRE-WET KITS FOR 14 SERIES 1.5-2.5 CY STAINLESS STEEL SPREADERS (48" WIDE)



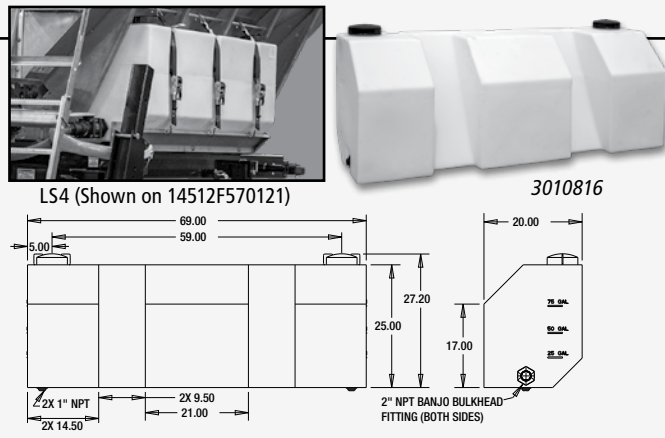
PART NO.	DESCRIPTION	WT.
LS7	Electric 30 Gallon Tank System, (Steel / Stainless Spreaders)	85
LS8	Electric (2) 30 Gallon Tank System, (Steel / Stainless Spreaders)	197
LS8H	Hydraulic (2) 30 Gallon Tank System, (Steel / Stainless Spreaders)	239
3036808	Tank Only, 48" x 13" x 15.5", (2) 3/4" NPT Ports	25
WSE1	Electric Controller, Wet Spray System	2
WSE75	Hydraulic Controller, Wet Spray System	3.95

PRE-WET KITS FOR 14 SERIES MIDSIZE 2.5-5.5 CY STAINLESS STEEL SPREADERS (58"/70" WIDE)

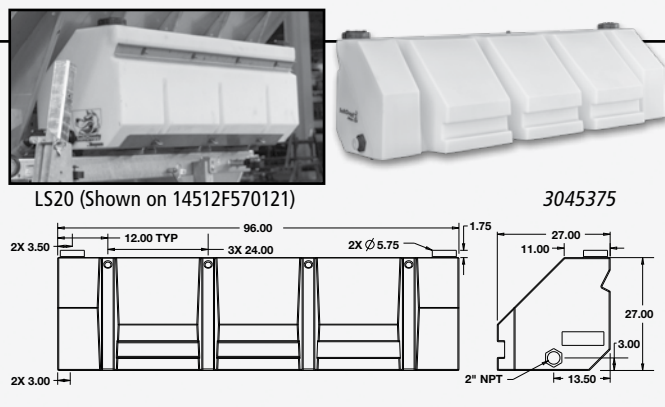


PART NO.	DESCRIPTION	WT.
LS16	Electric 30 Gallon Tank System, (Steel / Stainless Spreaders)	85
LS16H	Hydraulic (2) 30 Gallon Tank System, (Steel / Stainless Spreaders)	126
LS17	Electric (2) 30 Gallon Tank System, (Steel / Stainless Spreaders)	149
LS17H	Hydraulic (2) 30 Gallon Tank System, (Steel / Stainless Spreaders)	184
3036808	Tank Only, 48" x 13" x 15.5", (2) 3/4" NPT Ports	25
WSE1	Electric Controller, Wet Spray System	2
WSE75	Hydraulic Controller, Wet Spray System	3.95

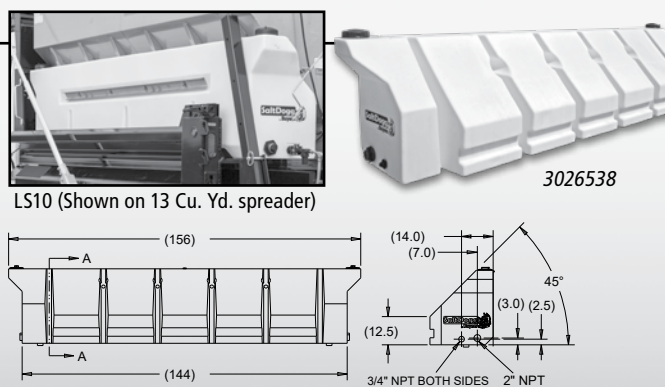
PRE-WET KITS FOR 14 SERIES MUNICIPAL 6+ CY STAINLESS STEEL SPREADERS (82" WIDE)



PART NO.	DESCRIPTION	WT.
LS4	Electric 105 Gallon Tank System	214
LS4H	Hydraulic 105 Gallon Tank System	351
LS5	Electric (2) 105 Gallon Tank System	348
LS5H	Hydraulic (2) 105 Gallon Tank System	380
3010816	Tank Only, 63" x 20" x 26.5", (2) 3/4" NPT Ports, (2) 1" NPT Ports	62
WSE1	Electric Controller, Wet Spray System	2
WSE75	Hydraulic Controller, Wet Spray System	3.95



PART NO.	DESCRIPTION	WT.
LS20	Electric (2) 420 Gallon Tank System	
LS20H	Hydraulic (2) 420 Gallon Tank System	944
3045375	Tank Only, 96" x 27" x 27", (2) 2" NPT Ports	168
WSE1	Electric Controller, Wet Spray System	2
WSE75	Hydraulic Controller, Wet Spray System	3.95



PART NO.	DESCRIPTION	WT.
LS10	Electric (2) 400 Gallon Tank System	814
LS10H	Hydraulic (2) 400 Gallon Tank System	846
3026538	Tank Only, 156" x 28" x 35", (2) 3/4" NPT Ports, (2) 2" NPT Ports	255
WSE1	Electric Controller, Wet Spray System	2
WSE75	Hydraulic Controller, Wet Spray System	3.95

ALL PRE-WET SYSTEMS INCLUDE

- Tank(s) with:
 - Stainless steel mounting bracket and hardware
 - Tie down strap(s) (for mounting)
- Pre-plumbed/wired enclosure:
- Electric Systems
 - WSE1 Variable Speed Electronic Controller and harness
 - 12V, 3GPM diaphragm self-priming pump
- Hydraulic Systems
 - WSE75 Hydraulic Controller and harness
 - 8 GPM Stainless/Bronze Gear Pump Manual flow control
 - Optional liquid flow meter for use with closed loop hydraulic systems

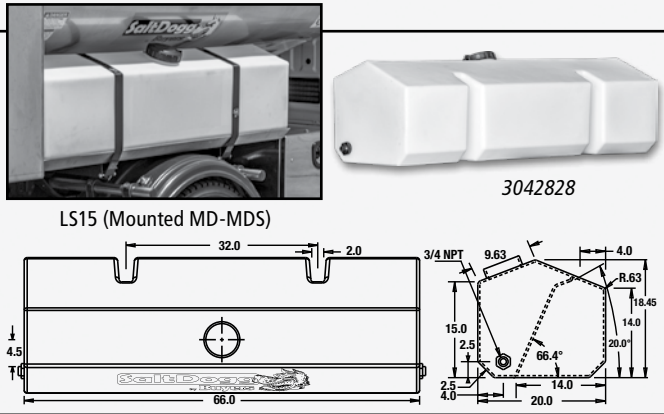


WSE1 - Electric Controller



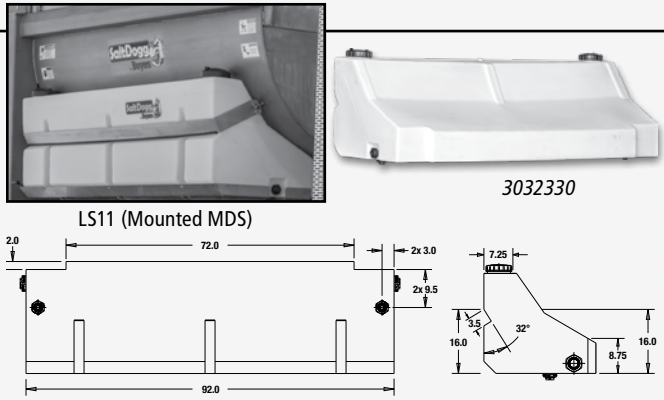
WSE75 - Hydraulic Controller

PRE-WET KITS FOR MEDIUM DUTY MDS COMBINATION DUMP SPREADER SERIES



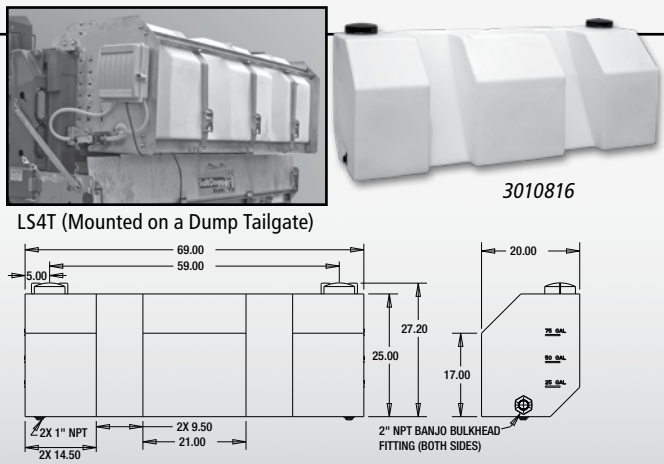
PART NO.	DESCRIPTION	WT.
LS29	Electric 80 Gallon Tank System	340
LS15	Electric (2) 80 Gallon Tank System	266
3042828	Tank Only, 66" x 20" x 18.5", (2) 3/4" NPT Ports	60
WSE1	Electric Controller, Wet Spray System	2

PRE-WET KITS FOR MDS MUNICIPAL COMBINATION DUMP SPREADER SERIES



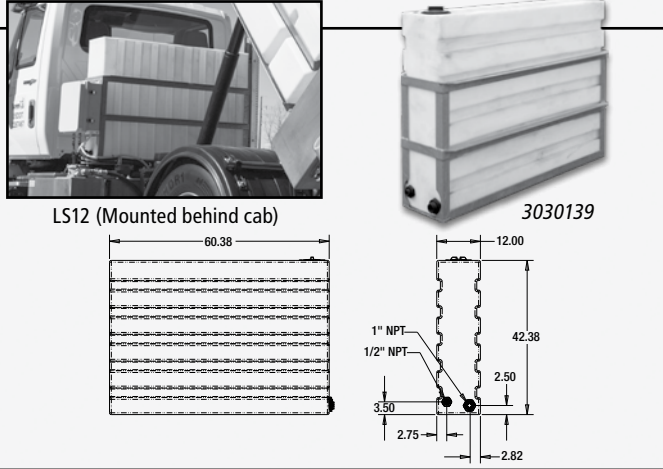
PART NO.	DESCRIPTION	WT.
LS19	Electric 160 Gallon Tank System	370
LS19H	Hydraulic 160 Gallon Tank System	398
LS11	Electric (2) 160 Gallon Tank System	478
LS11H	Hydraulic (2) 160 Gallon Tank System	510
3032330	Tank Only, 92" x 26" x 25", 3/4" NPT Port, (2) 1" NPT Ports	87
WSE1	Electric Controller, Wet Spray System	2
WSE75	Hydraulic Controller, Wet Spray System	3.95

TAILGATE MOUNTED SYSTEMS FOR UNDER TAILGATE SPREADERS



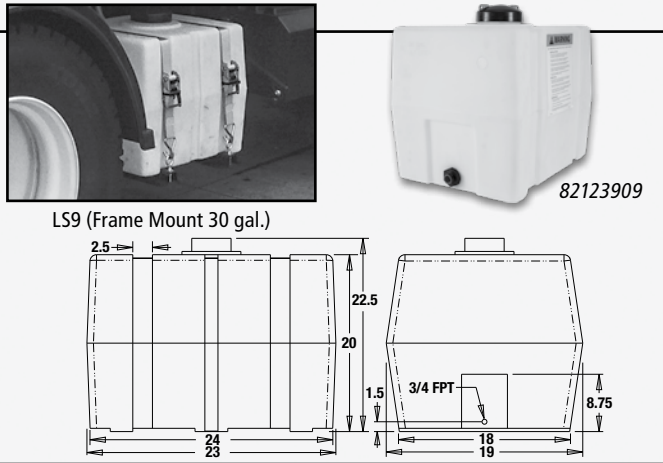
PART NO.	DESCRIPTION	WT.
LS4T	Electric 105 Gallon Tank System	266
LS4TH	Hydraulic 105 Gallon Tank System	266
3010816	Tank Only, 63" x 20" x 26.5", (2) 3/4" NPT Ports, (2) 1" NPT Ports	62
WSE1	Electric Controller, Wet Spray System	2
WSE75	Hydraulic Controller, Wet Spray System	3.95

PRE-WET KITS FOR MOUNTING BETWEEN CAB AND BODY



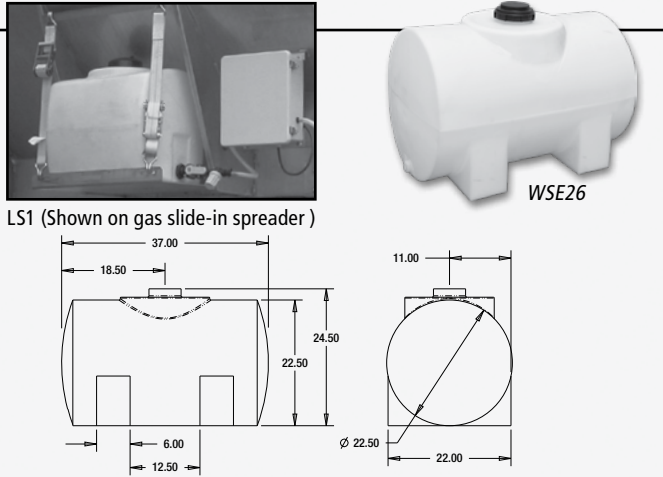
PART NO.	DESCRIPTION	WT.
LS12	Electric 120 Gallon Tank System	300
LS12H	Hydraulic 120 Gallon Tank System	330
3030139	Tank Only, 60.38" x 12" x 42.38", 1/2" NPT Port, 1" NPT Port	66
3033887	Galvanized Frame for 3030139	66
WSE1	Electric Controller, Wet Spray System	2
WSE75	Hydraulic Controller, Wet Spray System	3.95

PRE-WET KITS FOR TRUCK FRAME / UNDERBODY MOUNT



PART NO.	DESCRIPTION	WT.
LS9	Electric 30 Gallon Tank System	
LS9H	Hydraulic 30 Gallon Tank System	85
82123909	Tank Only, 24" x 19" x 22", 3/4" NPT Port	18
WSE1	Electric Controller, Wet Spray System	2

PRE-WET KITS FOR V-BOX SPREADER MOUNT



PART NO.	DESCRIPTION	WT.
LS1	Electric 55 Gallon Tank System	148
LS3	Electric (2) 55 Gallon Tank System	210
WSE26	Tank Only, 37" x 22" x 23", 3/4" NPT Port	51
WSE1	Electric Controller, Wet Spray System	2

ELECTRIC PRE-WET SYSTEM WITH NO TANK

- All needed hoses, fittings, valves, and clamps
- Pre-plumbed/pre-wired pump enclosure with:
 - 12V, 3 GPM diaphragm pump
 - Pressure switch (to activate low/high pressure buzzer)
- Pre-Wet System Electric In-Cab Controller (WSE1) with wiring harness

PART NO.	DESCRIPTION	WT.
LS2	12 VDC Pre-Wet Kit (No Reservoir or Tank Included)	23
WSE1	Electric Controller, Wet Spray System	2



For parts drawings and more information about all of our spreaders, visit BuyersProducts.com

BOSS® PLOWS

PLOW STYLE/APPLICATION	PLOW MODEL	PAGE
HOMEOWNER/HALF TON	SPORT DUTY	50
HOMEOWNER/HALF TON	HTX	50
STRAIGHT	TRIP EDGE	50
STRAIGHT	STANDARD/SUPER DUTY	51
STRAIGHT	HD	51
VEE	HTX-V	52
VEE	POWER V/XT/DXT	52
VEE	HD V/VXT/DXT	53
EXPANDING	EXT	53

BOSS® SPORT DUTY

DESCRIPTION	BUYERS® PART NO.	BOSS® PART NO.	PAGE
Bulk Cutting Edge 1/2 x 2 Inch Carriage Bolt And Locknut - Set of 9	1301061	BAX00034	55
4-1/2 Inch CCW Single Post Motor Tang Shaft	1304718	HYD01563	55
90° Swivel Elbow 3/8 Inch MOR To FPS	1304737	HYD01620	56
90 Inch Vehicle Side Power/Ground Cable	1304740	HYD01684	58
36 Inch Plow Side Power/Ground Cable	1304741	HYD01690	58
1/4 x 15-1/2 Inch Hydraulic Hoses	1304721	HYD01695	56
3/8 x 34 Inch Hydraulic Hoses	1304728	HYD01810	56
90° Swivel Elbow 3/8 Inch MP To FPS	1304738	HYD07018	56
1/4 x 18 Inch Hydraulic Hoses	1304729	HYD09922	56
14-1/2 Inch Trip Spring	1304715	MSC01509	55
27 Inch Red Blade Guide Kit	1308200	MSC01870	57
13-Pin Female Vehicle Side Harness Repair Kit	1304745	MSC04753	59
13-Pin Male Plow Side Harness Repair Kit	1304744	MSC04754	59
Hand Controller For Straight Blade Plow	1306903	STB09602	59

BOSS® HTX

DESCRIPTION	BUYERS® PART NO.	BOSS® PART NO.	PAGE
Bulk Cutting Edge 1/2 x 2 Inch Carriage Bolt And Locknut - Set of 9	1301061	BAX00034	55
90° Swivel Elbow 3/8 Inch MOR To FPS	1304737	HYD01620	56
90 Inch Vehicle Side Power/Ground Cable	1304740	HYD01684	58
36 Inch Plow Side Power/Ground Cable	1304741	HYD01690	58
1/4 x 15-1/2 Inch Hydraulic Hoses	1304721	HYD01695	56
3/8 x 34 Inch Hydraulic Hoses	1304728	HYD01810	56
90° Swivel Elbow 3/8 Inch MP To FPS	1304738	HYD07018	56
1/4 x 15 Inch Hydraulic Hoses	1304724	HYD07020	56
14-1/2 Inch Trip Spring	1304715	MSC01509	55
Heavy Duty Plow Shoe Assembly - Center Shoe	1304712	MSC01570	55
27 Inch Red Blade Guide Kit	1308200	MSC01870	57
13-Pin Female Vehicle Side Harness Repair Kit	1304745	MSC04753	59
13-Pin Male Plow Side Harness Repair Kit	1304744	MSC04754	59
Hand Controller For Straight Blade Plow	1306903	STB09602	59

BOSS® TRIP EDGE

DESCRIPTION	BUYERS® PART NO.	BOSS® PART NO.	PAGE
Bulk Cutting Edge 1/2 x 2 Inch Carriage Bolt And Locknut - Set of 9	1301061	BAX00034	55
4-1/2 Inch CCW Single Post Motor Tang Shaft	1304718	HYD01563	55
90 Inch Vehicle Side Power/Ground Cable	1304740	HYD01684	58
36 Inch Plow Side Power/Ground Cable	1304741	HYD01690	58
1/4 x 15-1/2 Inch Hydraulic Hoses	1304721	HYD01695	56
3/8 x 34 Inch Hydraulic Hoses	1304728	HYD01810	56
90° Swivel Elbow 3/8 Inch MP To FPS	1304738	HYD07018	56
1/4 x 15 Inch Hydraulic Hoses	1304724	HYD07020	56
3/8 x 42 Inch Hydraulic Hoses	1304725	HYD07042	56
1-1/2 x 10 Inch Power Angling Cylinder	1304704	HYD08830	56
1/4 x 18 Inch Hydraulic Hoses	1304729	HYD09922	56
14-1/2 Inch Trip Spring	1304715	MSC01509	55
27 Inch Red Blade Guide Kit	1308200	MSC01870	57
Pin Kit - Pivot	1304784	MSC04251	57
Pin Kit - Coupler Spring	1304781	MSC04675	57
Pin Kit with Left or Right-handed Coupler Spring Release Lever	1304787	MSC04676	57
13-Pin Female Vehicle Side Harness Repair Kit	1304745	MSC04753	59
13-Pin Male Plow Side Harness Repair Kit	1304744	MSC04754	59
Plow Kickstand	1304710	STB03220	59
Hand Controller For Straight Blade Plow	1306903	STB09602	59
Heavy Duty Plow Shoe Assembly - Trip Edge	1304713	TRP07880	55

REPLACEMENT PARTS FOR BOSS® SNOWPLOWS



BOSS® STANDARD/SUPER

DESCRIPTION	BUYERS® PART NO.	BOSS® PART NO.	PAGE
Bulk Cutting Edge 1/2 x 2 Inch Carriage Bolt And Locknut - Set of 9	1301061	BAX00034	55
Bulk Cutting Edge 5/8 x 2 Inch Carriage Bolt And Nut - Set Of 10	1301065	BAX00096	55
Eye Bolt Kit 1/2 x 5-1/2 Inch	1304777	HDW01744	55
4-1/2 Inch CCW Single Post Motor Tang Shaft	1304718	HYD01563	55
90 Inch Vehicle Side Power/Ground Cable	1304740	HYD01684	58
36 Inch Plow Side Power/Ground Cable	1304741	HYD01690	58
1/4 x 15-1/2 Inch Hydraulic Hoses	1304721	HYD01695	56
3/8 x 34 Inch Hydraulic Hoses	1304728	HYD01810	56
90° Swivel Elbow 3/8 Inch MP To FPS	1304738	HYD07018	56
1/4 x 15 Inch Hydraulic Hoses	1304724	HYD07020	56
1-1/2 x 10 Inch Power Angling Cylinder	1304704	HYD08830	56
1/4 x 18 Inch Hydraulic Hoses	1304729	HYD09922	56
14-1/2 Inch Trip Spring	1304715	MSC01509	55
Heavy Duty Plow Shoe Assembly - Center Shoe	1304712	MSC01570	55
27 Inch Red Blade Guide Kit	1308200	MSC01870	57
Pin Kit - Kickstand Spring	1304780	MSC03807	57
Pin Kit - Pivot	1304784	MSC04251	57
Pin Kit - Coupler Spring	1304781	MSC04675	57
Pin Kit with Left or Right-handed Coupler Spring Release Lever	1304787	MSC04676	57
13-Pin Female Vehicle Side Harness Repair Kit	1304745	MSC04753	59
13-Pin Male Plow Side Harness Repair Kit	1304744	MSC04754	59
Eye Bolt Kit 5/8 x 4-1/4 Inch	1304776	MSC05056	55
Plow Kickstand	1304710	STB03220	59
Hand Controller For Straight Blade Plow	1306903	STB09602	59

BOSS® HD STRAIGHT

DESCRIPTION	BUYERS® PART NO.	BOSS® PART NO.	PAGE
Bulk Cutting Edge 5/8 x 2 Inch Carriage Bolt And Nut - Set Of 10	1301065	BAX00096	55
Eye Bolt Kit 1/2 x 5-1/2 Inch	1304777	HDW01744	55
4-1/2 Inch CCW Single Post Motor Tang Shaft	1304718	HYD01563	55
90° Swivel Elbow 3/8 Inch MOR To FPS	1304737	HYD01620	56
90 Inch Vehicle Side Power/Ground Cable	1304740	HYD01684	58
36 Inch Plow Side Power/Ground Cable	1304741	HYD01690	58
1/4 x 15-1/2 Inch Hydraulic Hoses	1304721	HYD01695	56
3/8 x 34 Inch Hydraulic Hoses	1304728	HYD01810	56
90° Swivel Elbow 3/8 Inch MP To FPS	1304738	HYD07018	56
1/4 x 15 Inch Hydraulic Hoses	1304724	HYD07020	56
3/8 x 42 Inch Hydraulic Hoses	1304725	HYD07042	56
1-1/2 x 10 Inch Power Angling Cylinder	1304704	HYD08830	56
1/4 x 18 Inch Hydraulic Hoses	1304729	HYD09922	56
14-1/2 Inch Trip Spring	1304715	MSC01509	55
Heavy Duty Plow Shoe Assembly - Center Shoe	1304712	MSC01570	55
27 Inch Red Blade Guide Kit	1308200	MSC01870	57
Pin Kit - Kickstand Spring	1304780	MSC03807	57
13-Pin Female Vehicle Side Harness Repair Kit	1304745	MSC04753	59
13-Pin Male Plow Side Harness Repair Kit	1304744	MSC04754	59
Pin Kit - Coupler Spring 10 Foot Plow	1304782	MSC07699	57
Pin Kit with Left-handed Coupler Spring Release Lever	1304789	MSC07974	57
Plow Kickstand	1304710	STB03220	59
Hand Controller For Straight Blade Plow	1306903	STB09602	59

BOSS
PLOW/PARTS



BOSS® HTX-V

DESCRIPTION	BUYERS® PART NO.	BOSS® PART NO.	PAGE
Bulk Cutting Edge 5/8 x 2 Inch Carriage Bolt And Nut - Set Of 10	1301065	BAX00096	55
Eye Bolt Kit 1/2 x 5-1/2 Inch	1304777	HDW01744	55
90° Swivel Elbow 3/8 Inch MOR To FPS	1304737	HYD01620	56
90 Inch Vehicle Side Power/Ground Cable	1304740	HYD01684	58
36 Inch Plow Side Power/Ground Cable	1304741	HYD01690	58
1/4 x 15-1/2 Inch Hydraulic Hoses	1304721	HYD01695	56
90° Swivel Elbow 3/8 Inch MP To FPS	1304738	HYD07018	56
3/8 x 40 Inch Hydraulic Hoses	1304726	HYD07575	56
14-1/2 Inch Trip Spring	1304715	MSC01509	55
27 Inch Red Blade Guide Kit	1308200	MSC01870	57
13-Pin Female Vehicle Side Harness Repair Kit	1304745	MSC04753	59
13-Pin Male Plow Side Harness Repair Kit	1304744	MSC04754	59

BOSS® POWER V/XT/DXT

DESCRIPTION	BUYERS® PART NO.	BOSS® PART NO.	PAGE
Bulk Cutting Edge 5/8 x 2 Inch Carriage Bolt And Nut - Set Of 10	1301065	BAX00096	55
Cutting Edge Half V-Plow 1/2 x 6 x 43-7/8 Inch	1304760	BAX00097	54
Cutting Edge Half V-Plow 1/2 x 6 x 47-7/8 Inch	1304761	BAX00098	54
Cutting Edge Half V-Plow 5/8 x 6 x 59-1/8 Inch	1304762	BAX00099	54
Eye Bolt Kit 1/2 x 5-1/2 Inch	1304777	HDW01744	55
4-1/2 Inch CCW Single Post Motor Tang Shaft	1304718	HYD01563	55
1-1/2 x 10 Inch Power Angling Cylinder	1304700	HYD01603	56
90 Inch Vehicle Side Power/Ground Cable	1304740	HYD01684	58
36 Inch Plow Side Power/Ground Cable	1304741	HYD01690	58
1/4 x 15-1/2 Inch Hydraulic Hoses	1304721	HYD01695	56
1/4 x 15 Inch Hydraulic Hoses	1304724	HYD07020	56
3/8 x 42 Inch Hydraulic Hoses	1304725	HYD07042	56
1/4 x 18 Inch Hydraulic Hoses	1304729	HYD09922	56
14-1/2 Inch Trip Spring	1304715	MSC01509	55
Heavy Duty Plow Shoe Assembly - Center Shoe	1304712	MSC01570	55
27 Inch Red Blade Guide Kit	1308200	MSC01870	57
Pin Kit - Pivot	1304784	MSC04251	57
Pin Kit - Coupler Spring	1304781	MSC04675	57
Pin Kit with Left or Right-handed Coupler Spring Release Lever	1304787	MSC04676	57
13-Pin Female Vehicle Side Harness Repair Kit	1304745	MSC04753	59
13-Pin Male Plow Side Harness Repair Kit	1304744	MSC04754	59
Eye Bolt Kit 5/8 x 4-1/4 Inch	1304776	MSC05056	55
17-7/8 Inch Trip Spring	1304716	MSC07705	55
Pin Kit - Threaded Pin Horizontal Hinge	1304785	MSC09649	57
Push Frame Assembly	1304770	TFR09708	54

BOSS
PLOW PARTS

REPLACEMENT PARTS FOR BOSS® SNOWPLOWS



BOSS® HD V/VXT/DXT

DESCRIPTION	BUYERS® PART NO.	BOSS® PART NO.	PAGE
Bulk Cutting Edge 5/8 x 2 Inch Carriage Bolt And Nut - Set Of 10	1301065	BAX00096	55
4-1/2 Inch CCW Single Post Motor Tang Shaft	1304718	HYD01563	55
90° Swivel Elbow 3/8 Inch MOR To FPS	1304737	HYD01620	56
90 Inch Vehicle Side Power/Ground Cable	1304740	HYD01684	58
36 Inch Plow Side Power/Ground Cable	1304741	HYD01690	58
1/4 x 15-1/2 Inch Hydraulic Hoses	1304721	HYD01695	56
3/8 x 34 Inch Hydraulic Hoses	1304728	HYD01810	56
90° Swivel Elbow 3/8 Inch MP To FPS	1304738	HYD07018	56
1/4 x 18 Inch Hydraulic Hoses	1304729	HYD09922	56
14-1/2 Inch Trip Spring	1304715	MSC01509	55
Heavy Duty Plow Shoe Assembly - Center Shoe	1304712	MSC01570	55
27 Inch Red Blade Guide Kit	1308200	MSC01870	57
Pin Kit - Pivot	1304784	MSC04251	57
13-Pin Female Vehicle Side Harness Repair Kit	1304745	MSC04753	59
13-Pin Male Plow Side Harness Repair Kit	1304744	MSC04754	59
Eye Bolt Kit 5/8 x 4-1/4 Inch	1304776	MSC05056	55
17-7/8 Inch Trip Spring	1304716	MSC07705	55
Pin Kit with Left-handed Coupler Spring Release Lever	1304789	MSC07974	57
Pin Kit - Threaded Pin Horizontal Hinge 10 Foot V	1304783	MSC09664	57
Snow Catcher- Drivers Side	1304764	BAL18160-03	54
Snow Catcher- Passengers Side	1304765	BAR18170-03	54

BOSS® EXT

DESCRIPTION	BUYERS® PART NO.	BOSS® PART NO.	PAGE
Bulk Cutting Edge 5/8 x 2 Inch Carriage Bolt And Nut - Set Of 10	1301065	BAX00096	55
90° Swivel Elbow 3/8 Inch MOR To FPS	1304737	HYD01620	56
90 Inch Vehicle Side Power/Ground Cable	1304740	HYD01684	58
36 Inch Plow Side Power/Ground Cable	1304741	HYD01690	58
1/4 x 15-1/2 Inch Hydraulic Hoses	1304721	HYD01695	56
3/8 x 34 Inch Hydraulic Hoses	1304728	HYD01810	56
90° Swivel Elbow 3/8 Inch MP To FPS	1304738	HYD07018	56
1/4 x 18 Inch Hydraulic Hoses	1304729	HYD09922	56
14-1/2 Inch Trip Spring	1304715	MSC01509	55
Heavy Duty Plow Shoe Assembly - Center Shoe	1304712	MSC01570	55
27 Inch Red Blade Guide Kit	1308200	MSC01870	57
Pin Kit - Kickstand Spring	1304780	MSC03807	57
Pin Kit - Pivot	1304784	MSC04251	57
Pin Kit - Coupler Spring	1304781	MSC04675	57
Pin Kit with Left or Right-handed Coupler Spring Release Lever	1304787	MSC04676	57
13-Pin Female Vehicle Side Harness Repair Kit	1304745	MSC04753	59
13-Pin Male Plow Side Harness Repair Kit	1304744	MSC04754	59
Plow Kickstand	1304710	STB03220	59

BOSS
PLOW PARTS



PUSH FRAME ASSEMBLY



PART NO.	DESCRIPTION	OEM PART NO.
1304770	Push Frame Assembly RT3V, 06+	TFR09708

BOTTOM PLATE CENTER HINGE



PART NO.	DESCRIPTION	OEM PART NO.
1304778	Bottom Plate Center Hinge	CHA01015

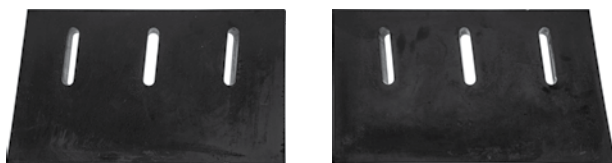
CUTTING EDGES, HIGH CARBON STEEL



PART NO.	DESCRIPTION	OEM PART NO.
1304750	3/8" x 6" x 90"	STB03071
1304751	1/2" x 6" x 90"	STB03002
1304752	1/2" x 6" x 96"	STB03003
1304753	1/2" x 6" x 102"	STB03072
1304754	1/2" x 6" x 108"	STB03242
1304755	1/2" x 6" x 120"	STB07537
1304757	1/2" x 8" x 96", Super-Duty XT	STB00317
1304758	1/2" x 8" x 102", Super-Duty XT	STB00318
1304759	1/2" x 8" x 108", Super-Duty XT	STB00319

See pgs. 100-101 for detailed dimensions.

CUTTING EDGES, URETHANE



PART NO.	DESCRIPTION	OEM PART NO.
1304772	Cutting Edge, LH	MSC19275 & MSC19276
1304773	Cutting Edge, RH	MSC19270 & MSC19271

CUTTING EDGES, HALF, V-PLOW



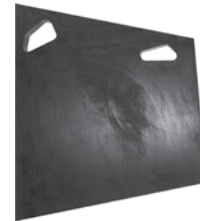
PART NO.	DESCRIPTION	OEM PART NO.
1304760	Half, 7'6" V-Plow, 1/2"x6"x43.88"	BAX00097
1304761	Half, 8'2" V-Plow, 1/2"x6"x47.88"	BAX00098
1304762	Half, 9'2" V-Plow, 1/2"x6"x53.88"	BAX00099

CURB GUARD



PART NO.	DESCRIPTION	OEM PART NO.
1304767	Curb Guard, Ext., LH	STB19295-03
1304768	Curb Guard, Ext., RH	STB19290-03

WING EXTENSION CUTTING EDGE



PART NO.	DESCRIPTION	OEM PART NO.
1304766	Wing Extension Cutting Edge, 2009+	BAX08057

SNOW CATCHER FOR BOSS DXT V PLOWS



PART NO.	DESCRIPTION	OEM PART NO.
1304764	Snow Catcher, Driver Side	BAL18160-03
1304765	Snow Catcher, Passenger Side	BAR18170-03

7.5FT STRAIGHT BACK DRAG EDGE

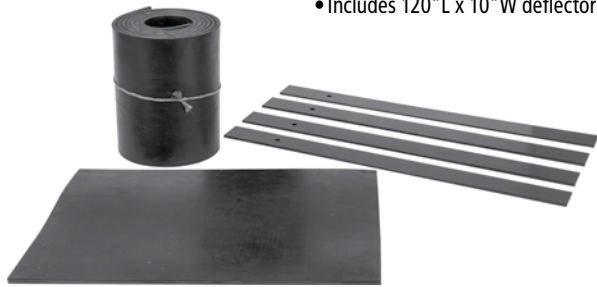


PART NO.	DESCRIPTION	OEM PART NO.
1304806	7.5ft. Straight Back Drag Edge	STB06535

BOSS
PLOW PARTS

REPLACEMENT PARTS FOR BOSS® SNOWPLOWS

DEFLECTOR KIT



• Includes 120" L x 10" W deflector

PART NO.	DESCRIPTION	OEM PART NO.
1304779	Universal Deflector Kit	MSC01565

CUTTING EDGE NUTS & BOLTS



PART NO.	DESCRIPTION	OEM PART NO.
1301061	Set of 9 (1/2" x 2")	BAX00034
1301065	Set of 10 (5/8" x 2")	BAX00096

BULK - CUTTING EDGE NUTS & BOLTS

PRODUCTS SOLD IN PACKAGES OF 1200 PIECES, PRICED PER PIECE.

PART NO.	DESCRIPTION
FCB050013200	Zinc Carriage Bolt, 1/2"-13 x 2" Grade 5
FNE050013053	Nylon Lock Nut, 1/2"-13 Zinc

PRODUCTS SOLD IN PACKAGES OF 550 PIECES, PRICED PER PIECE.

PART NO.	DESCRIPTION
FCB063011250	Zinc Carriage Bolt, 5/8"-11 x 2 1/2" Grade 5
FNE063011069	Nylon Lock Nut, 5/8"-11 Zinc

EYE BOLT KITS



PART NO.	DESCRIPTION	OEM PART NO.
1304776	Eye Bolt Kit, 5/8 x 4-1/4"	MSC05056
1304777	Eye Bolt Kit, 1/2 x 5-1/2"	HDW01744

200 LB VIBRATOR



NEW

PART NO.	DESCRIPTION	OEM PART NO.
3007416	Vibrator, 200 lbs	MSC14275

4-1/2 IN. MOTOR



PART NO.	DESCRIPTION	OEM PART NO.
1304718	4-1/2" Motor, Single Post, CCW, Tang Shaft	HYD1563 (Old Style)

MOTOR



PART NO.	DESCRIPTION	OEM PART NO.
1304720	Motor	HYD09328, HYD1563-2

Used on Boss RT3 Power-V, XT V Plows and more

HEAVY-DUTY PLOW SHOE ASSEMBLY



1304711

1304712

1304713

PART NO.	DESCRIPTION	OEM PART NO.
1304711	Plow Shoe Assy, Outer Shoe	MSC01501
1304712	Plow Shoe Assy, Center Shoe	MSC01570
1304713	Plow Shoe Assy, Trip Edge	TRP07880

TRIP SPRING



1304717

PART NO.	DESCRIPTION	OEM PART NO.
1304715	Trip Spring, 14-1/2"	MSC01509
1304716	Trip Spring, 17-7/8"	MSC07705
1304717	Trip Spring, UTV, POWER-V, XT	MSC13071
1304731	Trip Spring, Left, Torsion	BAL17541, DXT
1304732	Trip Spring, Right, Torsion	BAR17551, DXT



HYDRAULIC HOSES

- Neoprene cover
- Nitrile inner tube
- Steel braid reinforced
- Trivalent plated carbon steel ends



PART NO.	DESCRIPTION	OEM PART NO.
1304724	1/4" x 15"	HYD07020
1304721	1/4" x 15.5"	HYD01695
1304729	1/4" x 18"	HYD09922
1304730	1/4" x 30"	HYD12825
1304728	3/8" x 34"	HYD01810
1304726	3/8" x 40"	HYD07575
1304725	3/8" x 42"	HYD07042
1304727	3/8" x 44"	HYD07714
1304723	3/8" x 48"	HYD01707
1304733	3/8" x 40"	HYD19121

CYLINDERS



PART NO.	DESCRIPTION	OEM PART NO.
1304700	Power Angling Cylinder 1-1/2" x 10"	HYD01603
1304701	Power Lift Cylinder 1-1/8" x 10"	HYD07013
1304704	Power Angling Cylinder 1-1/2" x 10"	HYD08830
1304706	Power Lift Cylinder, 1-3/16" x 2" x 10"	HYD09430
1304707	Power Angling Cylinder 1-1/2" x 10"	HYD09731
1304708	Power Extending Cylinder 1-1/8" x 1-1/2" x 12-3/4"	HYD19260

*Cylinder pictured is for reference only actual cylinder style may vary.
See pg. 152 for detailed dimensions

SHOCK ABSORBER



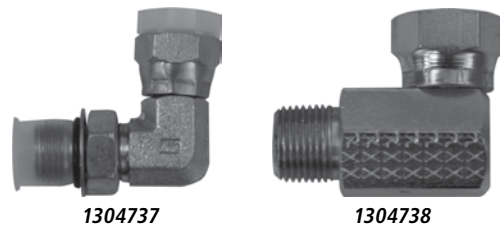
PART NO.	DESCRIPTION	OEM PART NO.
1304774	Shock Absorber, for RT3 Straight Blades	MSC01517

SHOCK ABSORBER KIT



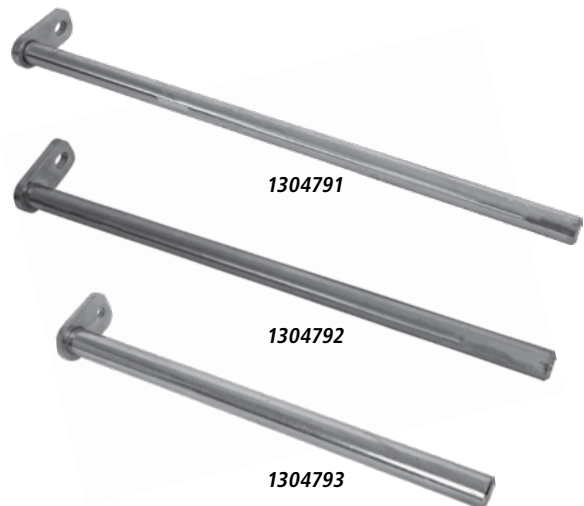
PART NO.	DESCRIPTION	OEM PART NO.
1304775	Shock Absorber Kit for RT3 Straight Blades	STB04816

SWIVEL ELBOWS & BREATHER



PART NO.	DESCRIPTION	OEM PART NO.
1304737	90° Swivel Elbow, 3/8" MOR x 3/8" FPS	HYD01620
1304738	90° Swivel Elbow, 3/8" MP x 3/8" FPS	HYD07018

HINGE PINS



PART NO.	DESCRIPTION	OEM PART NO.
1304791	Hinge Pin, Center	MSC11050
1304792	Hinge Pin, Center, DXT	MSC18100
1304793	Hinge Pin, Center 10' DXT	MSC17545

BOSS
PLOW PARTS

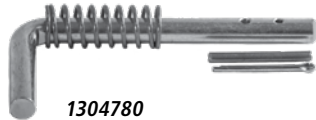
REPLACEMENT PARTS FOR BOSS® SNOWPLOWS

RED BLADE GUIDES



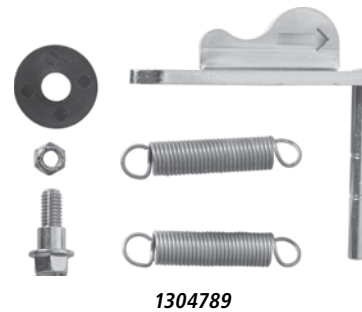
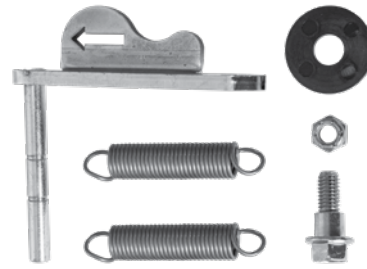
PART NO.	DESCRIPTION	OEM PART NO.
1308200	Blade Guide Assembly	MSC01870

PIN KITS



PART NO.	DESCRIPTION	OEM PART NO.
1304780	Pin Kit, Kickstand Spring	MSC03807
1304781	Pin Kit, Coupler Spring	MSC04675
1304782	Pin Kit, Coupler Spring, 10Ft Plow	MSC07699
1304783	Pin Kit, Threaded Pin, Horizontal Hinge, 10Ft V	MSC09664
1304784	Pin Kit, Pivot	MSC04251
1304785	Pin Kit, Threaded Pin, Horizontal Hinge	MSC09649

PIN KITS



PART NO.	DESCRIPTION	OEM PART NO.
1304787	Pin Kit, Coupler Spring Release Lever, LH/RH	MSC0676
1304788	Pin Kit, Coupler Spring Release Lever, RH	MSC0793
1304789	Pin Kit, Coupler Spring Release Lever, LH	MSC0794

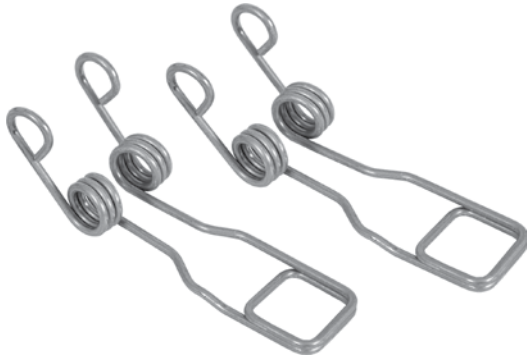


COUPLER TOWER LATCH KIT



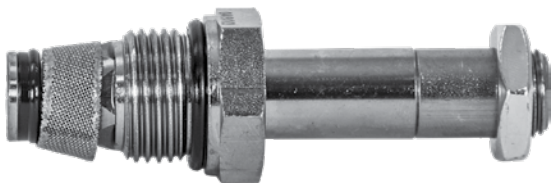
PART NO.	DESCRIPTION	OEM PART NO.
1304799	Coupler Tower Latch Kit, SmartHitch2, 2002+	MSC04687

SMART HITCH TORSION SPRING KIT



PART NO.	DESCRIPTION	OEM PART NO.
1304798	Smart Hitch Torsion Spring Kit	MSC05076

2-WAY VALVE



PART NO.	DESCRIPTION	OEM PART NO.
1306345	Cartridge Lift and Angle Valve	HYD01637

COIL WITH SPADE TERMINALS



PART NO.	DESCRIPTION	OEM PART NO.
1306360	Coil With Spade Terminals	HYD01638

SOLENOID



PART NO.	DESCRIPTION	OEM PART NO.
1304719	Solenoid w/ Hardware	HYD01633

SWITCH



PART NO.	DESCRIPTION	OEM PART NO.
1304790	Toggle Switch Kit, SMARTHITCH2	MSC04744

POWER/GROUND CABLE

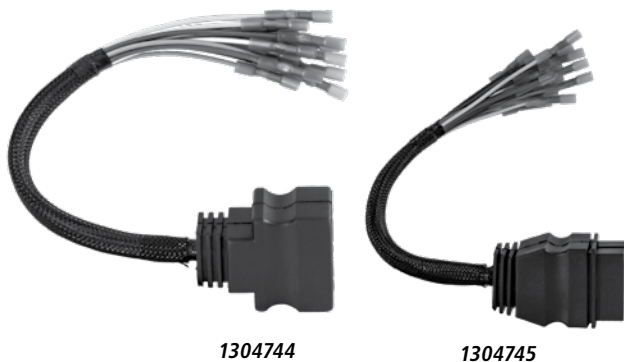


PART NO.	DESCRIPTION	OEM PART NO.
1304740	90" Power/Ground Cable (Vehicle Side)	HYD01684
1304741	36" Power/Ground Cable (Plow Side)	HYD01690

BOSS
PLOW PARTS

REPLACEMENT PARTS FOR BOSS® SNOWPLOWS

HARNESS REPAIR KIT



1304744

1304745

PART NO.	DESCRIPTION	OEM PART NO.
1304744	Harness Repair Kit, Connector w/Pigtail, 13-pin, Plow Side (male)	MSC04754
1304745	Harness Repair Kit, Connector w/Pigtail, 13-pin, Vehicle Side (female)	MSC04753

HIGH & LOW BEAM BULB



1304797

PART NO.	DESCRIPTION	OEM PART NO.
1304797	Bulb, H9, High Beam, 2008+	MSC11107
1304796	Low Beam Replacement Bulb	MSC1106

LIGHTING ADAPTERS



1311800



1311810

NEW

PART NO.	DESCRIPTION	OEM PART NO.
1311800	BOSS® SL3 to SAM 5-PIN	—
1311810	BOSS® SL2 to SAM 5-PIN	—
1311815	BOSS® SL1 to SAM 5-PIN	—

See Page 126 for Plug and Play BOSS® Lighting

PLOW KICKSTAND



PART NO.	DESCRIPTION	OEM PART NO.
1304710	Plow Kickstand	STB03220

V PLOW CONTROLLER



PART NO.	DESCRIPTION	OEM PART NO.
1306972	V Plow Controller	MSC04544, MSC09601

STRAIGHT BLADE PLOW CONTROLLER

- Integral diagnostics for easy field troubleshooting
- Easy-grip hand-held design
- Large buttons for ease of use
- "Smart" output channels prevent failure in case of overload or short circuit



PART NO.	DESCRIPTION	OEM PART NO.
1306903	Hand Controller for Straight Blade Plows, Red Faceplate	STB09602
1306930	Harness Adapter	—

BOSS
PLOW PARTS



FISHER® PLOWS

PLOW STYLE/APPLICATION	PLOW MODEL	PAGE
HOMEOWNER/HALF TON	HOMESTEADER	60
HOMEOWNER/HALF TON	LD	60
HOMEOWNER/HALF TON	HS	60
HOMEOWNER/HALF TON	HT	60
STRAIGHT	RD	60
STRAIGHT	SD	60
STRAIGHT	HD	61
STRAIGHT	HD2/HDX	61
STRAIGHT	XBLADE	61
STRAIGHT	HC	61
V	EZ-V	61
V	XV/XV2	62
EXPANDING	XLS	62
STANDARD/LEGACY	MC	63
STANDARD/LEGACY	MM	63

FISHER® HOMESTEADER

DESCRIPTION	BUYERS® PART NO.	FISHER® PART NO.	PAGE
Snow Plow Hand Controller	1306902	9400	69
Brass Bar Long 90° Elbow Kit 6M O-Ring	1304350	44361	68
Hydraulic Hoses 1/4 x 36 Inch With FJIC Ends	1304347	56599	68
Cartridge 31 With Nut 3-Way	1306351	66608	70

FISHER® LD

DESCRIPTION	BUYERS® PART NO.	FISHER® PART NO.	PAGE
Hydraulic Hoses 1/4 x 36 Inch With MP Ends	1304340	4424	68
Hydraulic Hoses 1/4 x 36 Inch With MP Ends	1304301	4424	68
1-1/2 x 10 Inch Power Lift Cylinder	1304305	20116	67
1-1/2 x 12 Inch Power Angling Cylinder	1304300	20117	67
Seal Kit 1-1/2 Inch Cylinder	1305316	56556	67
1-1/2 x 12 Inch Power Single Acting Angling Cylinder	1304312	56603	67
1-1/2 x 6 Inch Power Single Acting Lift Cylinder	1304311	56718	67
2 x 16 Inch Power Angling Cylinder	1304310	A5166	67

FISHER® HS

DESCRIPTION	BUYERS® PART NO.	FISHER® PART NO.	PAGE
Brass Bar Long 90° Elbow Kit 6M O-Ring	1304350	44361	68
Hydraulic Hoses 1/4 x 32 Inch With FJIC Ends	1304348	56710	68
Cartridge 31 With Nut 3-Way	1306351	66608	70

FISHER® HT

DESCRIPTION	BUYERS® PART NO.	FISHER® PART NO.	PAGE
Connecting Pin Spring	1302340	821	68
Clevis Pin Kit 3/8 x 3-1/4 Inch	1302328	26219	67
Brass Bar Long 90° Elbow Kit 6M O-Ring	1304350	44361	68
Hydraulic Hoses 1/4 x 32 Inch With FJIC Ends	1304348	56710	68
90° Hydraulic Adapter 9/16 O-Ring To Straight Thread	1306465	56725	69
Cartridge 31 With Nut 3-Way	1306351	66608	70

FISHER® RD

DESCRIPTION	BUYERS® PART NO.	FISHER® PART NO.	PAGE
Hydraulic Hoses 1/4 x 36 Inch With MP Ends	1304340	4424	68
Hydraulic Hoses 1/4 x 36 Inch With MP Ends	1304301	4424	68
Cutting Edge 1/2 x2 Inch Grade 5 Carriage Bolt With Locknut - Set Of 9	1301061	5551	65
Trip Spring Bar	1302315	6631	66
Shoe Tube Holder	1303310	6821	66
1-1/2 x 10 Inch Power Lift Cylinder	1304305	20116	67
1-1/2 x 12 Inch Power Angling Cylinder	1304300	20117	67
Seal Kit 1-1/2 Inch Cylinder	1305316	56556	67
1-1/2 x 12 Inch Power Single Acting Angling Cylinder	1304312	56603	67
1-1/2 x 6 Inch Power Single Acting Lift Cylinder	1304311	56718	67
Trip Spring Assembly	1302305	A3770	66
2 x 16 Inch Power Angling Cylinder	1304310	A5166	67

FISHER® SD

DESCRIPTION	BUYERS® PART NO.	FISHER® PART NO.	PAGE
Connecting Pin Spring	1302340	821	68
Clevis Pin 1 x 3-1/4 Inch	1302320	6814	67
4-1/2 Inch Motor Tang Shaft	1306326	21500	69
Cylinder Pin 1 x 4-3/4 Inch	1302327	22260	67
Clevis Pin Kit 3/8 x 3-1/4 Inch	1302328	26219	67
Step Pin Kit	1302319	27177	67
90° Hydraulic Adapter 9/16 O-Ring To Straight Thread	1306465	56725	69
Cartridge 31 With Nut 3-Way	1306351	66608	68
Clevis Kit	1302360	A6148	69

REPLACEMENT PARTS FOR FISHER® SNOWPLOWS

FISHER® HD

DESCRIPTION	BUYERS® PART NO.	FISHER® PART NO.	PAGE
Connecting Pin Spring	1302340	821	68
Hydraulic Hoses 1/4 x 36 Inch With MP Ends	1304340	4424	68
Hydraulic Hoses 1/4 x 36 Inch With MP Ends	1304301	4424	68
Cutting Edge 1/2 x 2 Inch Grade 5 Carriage Bolt With Locknut - Set Of 9	1301061	5551	65
Trip Spring Bar	1302315	6631	66
Clevis Pin 1 x 3-1/4 Inch	1302320	6814	67
Shoe Tube Holder	1303310	6821	66
A-Frame Assembly	1316305	8627	64
1-1/2 x 10 Inch Power Lift Cylinder	1304305	20116	67
1-1/2 x 12 Inch Power Angling Cylinder	1304300	20117	67
4-1/2 Inch Motor Tang Shaft	1306326	21500	69
Cylinder Pin 1 x 4-3/4 Inch	1302327	22260	67
Pivot Pin 1 x 16 Inch	1302322	26060	67
Clevis Pin Kit 3/8 x 3-1/4 Inch	1302328	26219	67
6 Inch Anti-Wear Shoe Assembly	1303300	26523	66
Step Pin Kit	1302319	27177	67
Trip Spring	1302310	27406	66
Plow Jack Leg	1315205	27462	66
Seal Kit 1-1/2 Inch Cylinder	1305316	56556	67
1-1/2 x 12 Inch Power Single Acting Angling Cylinder	1304312	56603	67
1-1/2 x 6 Inch Power Single Acting Lift Cylinder	1304311	56718	67
90° Hydraulic Adapter 9/16 O-Ring To Straight Thread	1306465	56725	69
Cartridge 31 With Nut 3-Way	1306351	66608	68
Trip Spring Assembly	1302305	A3770	66
2 x 16 Inch Power Angling Cylinder	1304310	A5166	67
Clevis Kit	1302360	A6148	69

FISHER® HD2/HDX

DESCRIPTION	BUYERS® PART NO.	FISHER® PART NO.	PAGE
Connecting Pin Spring	1302340	821	68
4-1/2 Inch Motor Tang Shaft	1306326	21500	69
Clevis Pin Kit 3/8 x 3-1/4 Inch	1302328	26219	67
Plow Jack Leg	1315205	27462	66
1-1/2 x 12 Inch Power Single Acting Angling Cylinder	1304312	56603	67
Clevis Kit	1302360	A6148	69

FISHER® XBLADE

DESCRIPTION	BUYERS® PART NO.	FISHER® PART NO.	PAGE
Connecting Pin Spring	1302340	821	68
Clevis Pin 1 x 3-1/4 Inch	1302320	6814	67
1-1/2 x 10 Inch Power Lift Cylinder	1304305	20116	67
1-1/2 x 12 Inch Power Angling Cylinder	1304300	20117	67
4-1/2 Inch Motor Tang Shaft	1306326	21500	69
Cylinder Pin 1 x 4-3/4 Inch	1302327	22260	67
Pivot Pin 1 x 16 Inch	1302322	26060	67
Clevis Pin Kit 3/8 x 3-1/4 Inch	1302328	26219	67
Step Pin Kit	1302319	27177	67
Plow Jack Leg	1315205	27462	66
Seal Kit 1-1/2 Inch Cylinder	1305316	56556	67
1-1/2 x 12 Inch Power Single Acting Angling Cylinder	1304312	56603	67
1-1/2 x 6 Inch Power Single Acting Lift Cylinder	1304311	56718	67
90° Hydraulic Adapter 9/16 O-Ring To Straight Thread	1306465	56725	69
Cartridge 31 With Nut 3-Way	1306351	66608	68
2 x 16 Inch Power Angling Cylinder	1304310	A5166	67
Clevis Kit	1302360	A6148	69

FISHER® HC

DESCRIPTION	BUYERS® PART NO.	FISHER® PART NO.	PAGE
Connecting Pin Spring	1302340	821	68
4-1/2 Inch Motor Tang Shaft	1306326	21500	69
Clevis Pin Kit 3/8 x 3-1/4 Inch	1302328	26219	67
Cartridge 31 With Nut 3-Way	1306351	66608	68
Clevis Kit	1302360	A6148	69

FISHER® EZ-V

DESCRIPTION	BUYERS® PART NO.	FISHER® PART NO.	PAGE
Hydraulic Hoses 1/4 x 36 Inch With MP Ends	1304340	4424	68
Hydraulic Hoses 1/4 x 36 Inch With MP Ends	1304301	4424	68
V-Plow Center Edge - Center Flap Kit With Hardware	1304410	26858	64
2 x 10 Inch Power Double Acting Angling Cylinder	1304217	56709	67
V-Plow Center Edge - Rubber Cutting Edge	1312202	63508	64
V-Plow Center Edge - Flap Mounting Plate Passenger Side	1304403	63509	64
V-Plow Center Edge - Flap Mounting Plate Drivers Side	1304402	63510	64

FISHER
PLOW PARTS



FISHER® XV/XV2

DESCRIPTION	BUYERS® PART NO.	FISHER® PART NO.	PAGE
Connecting Pin Spring	1302340	821	68
Cutting Edge 5/8 x 2-1/2 Inch Grade 5 Carriage Bolt With Locknut - Set Of 12	1301065	5572	65
4-1/2 Inch Motor Tang Shaft	1306326	21500	69
Cylinder Pin 1 x 4-3/4 Inch	1302327	22260	67
Clevis Pin Kit 3/8 x 3-1/4 Inch	1302328	26219	67
Plow Jack Leg	1315205	27462	66
Hydraulic Hoses 1/4 x 42 Inch With FJIC Ends	1304627	56591	68
Hydraulic Hoses 1/4 x 36 Inch With FJIC Ends	1304347	56599	68
90° Hydraulic Adapter 9/16 O-Ring To Straight Thread	1306465	56725	69
Clevis Kit	1302360	A6148	69

FISHER® XLS

DESCRIPTION	BUYERS® PART NO.	FISHER® PART NO.	PAGE
Connecting Pin Spring	1302340	821	68
4-1/2 Inch Motor Tang Shaft	1306326	21500	69
Cylinder Pin 1 x 4-3/4 Inch	1302327	22260	67
Clevis Pin Kit 3/8 x 3-1/4 Inch	1302328	26219	67
Step Pin Kit	1302319	27177	67
Plow Jack Leg	1315205	27462	66
Brass Bar Long 90° Elbow Kit 6M O-Ring	1304350	44361	68
Urethane Cutting Edge -	1304466	50645	64
90° Hydraulic Adapter 9/16 O-Ring To Straight Thread	1306465	56725	69
Trip Spring Nut	1302309	90353	66
Clevis Kit	1302360	A6148	69

FISHER
PLOW PARTS

REPLACEMENT PARTS FOR FISHER® SNOWPLOWS

FISHER® MC

DESCRIPTION	BUYERS® PART NO.	FISHER® PART NO.	PAGE
Connecting Pin Spring	1302340	821	68
Hydraulic Hoses 1/4 x 36 Inch With MP Ends	1304340	4424	68
Hydraulic Hoses 1/4 x 36 Inch With MP Ends	1304301	4424	68
Clevis Pin 1 x 3-1/4 Inch	1302320	6814	67
1-1/2 x 10 Inch Power Lift Cylinder	1304305	20116	67
1-1/2 x 12 Inch Power Angling Cylinder	1304300	20117	67
4-1/2 Inch Motor Tang Shaft	1306326	21500	69
Clevis Pin Kit 3/8 x 3-1/4 Inch	1302328	26219	67
6 Inch Anti-Wear Shoe Assembly	1303300	26523	66
Seal Kit 1-1/2 Inch Cylinder	1305316	56556	67
1-1/2 x 12 Inch Power Single Acting Angling Cylinder	1304312	56603	67
1-1/2 x 6 Inch Power Single Acting Lift Cylinder	1304311	56718	67
90° Hydraulic Adapter 9/16 O-Ring To Straight Thread	1306465	56725	69
Cartridge 31 With Nut 3-Way	1306351	66608	68
2 x 16 Inch Power Angling Cylinder	1304310	A5166	67
7 Inch Anti-Wear Shoe Assembly	1303305	A5517	66
Clevis Kit	1302360	A6148	69

FISHER® MINUTE MOUNT

DESCRIPTION	BUYERS® PART NO.	FISHER® PART NO.	PAGE
Swivel Adapter 90° Ad Union (Male) 1/4 Inch NPTF/NPSM	1304315	319	68
Packing Set 1-1/2 Inch	1305200	339	98
Male Dust Plug	1304330	1588	68
90° Swivel Adapter	1304335	2315	69
Brass Street Elbow 1/4 Inch NPTF 90°	1304345	2780	68
Hydraulic Adapter 9/16 Inch O-Ring To 1/4 Inch NPT	1306465	3058	69
Hydraulic Hoses 1/4 x 36 Inch With MP Ends	1304340	4424	68
Hydraulic Hoses 1/4 x 36 Inch With MP Ends	1304301	4424	68
Pin 1-1/4 x 5-1/2 Inch	1302370	5142	67
Pin 1-1/4 x 4-7/8 Inch	1302375	5150	67
Packing Nut 1-1/2 Inch	1305211	5763	67
60 Inch Red Battery Cable	1306445	5797	70
60 Inch Black Ground Cable	1306450	5798	70
22 Inch Red Battery Cable	1306455	5799	70
1/4 Inch Hex Nipple	1304320	5804	68
Connecting Pin Assembly	1302330	6920	68
In-line Filter Kit	1306427	8764	70
Snow Plow Hand Controller	1306902	9400	69
9-Pin Female Vehicle Harness Repair Kit	1315315	22336	70
1/4 Inch Hydraulic Coupler	1304026	A1587	68
1/4 Inch Quick Disconnect Coupler	1304325	A1587	68
4-1/2 Inch Motor	1306415	A5819	69
105 Inch Joystick Cable	1306405	A5843	69
105 Inch Joystick Cable Adjustable	1306410	A5844	69



REPLACEMENT PARTS FOR FISHER® SNOWPLOWS

A-FRAME

• Works with Minute Mount® HD



PART NO.	DESCRIPTION	OEM PART NO.
1316305	A-Frame	8627

CUTTING EDGES, HIGH CARBON STEEL



PART NO.	DESCRIPTION	OEM PART NO.
1301225	1/2" x 6" x 102", M/HD2/MD	26460/26652
1301280	5/8" x 6" x 120", HC	3507/7082
1301300	1/2" x 6" x 90", H/L/M/HD2/RD/HD/HT	5532/6597
1301303	1/2" x 6" x 90", HD/HDT/XLS	50678/50625
1301305	1/2" x 6" x 96", H/L/M/HD2/HDX/HD	5533/6598
1301307	5/8" x 6" x 96", X Blade	27580/27426
1301309	5/8" x 6" x 102", X Blade	27585/28391
1301310	5/8" x 6" x 108", HC/H/L/M/HD/HD2/HDX	5534/6599
1301312	5/8" x 6" x 108", X Blade	27590/28391
1301301	1/2" x 6" x 90", HD/HD2/HDX	52675
1301306	1/2" x 6" x 96", H/L/M/HD2/HDX/HD	5533*/6598*
1317005	1/2" x 8" x 96", H/L/M/HD2/HDX/HD	5533*/6598*
1301311	5/8" x 6" x 108", HC	52690/51846

See pgs. 150-151 for detailed dimensions.

* No Direct OEM Part Number, Extra Thick Version of Number Listed

STEEL CUTTING EDGES, HALF, V-PLOW



1311202

PART NO.	DESCRIPTION	OEM PART NO.
1311202	Half, 7-1/2' XV, 1/2" x 6" x 34.81"	44996
1311203	Half, 8-1/2' XV, 1/2" x 6" x 40.81"	44997
1311204	Half, 9-1/2' XV, 1/2" x 6" x 46.81"	44898

CUTTING EDGES, RUBBER

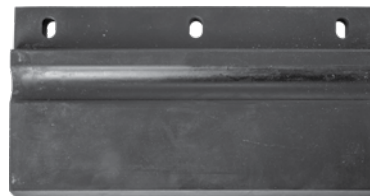


1312220

PART NO.	DESCRIPTION	NUMBER OF SLOTS
1312220	1-1/2" x 10" x 90"	8
1312225	1-1/2" x 10" x 96"	8
1312226	1-1/2" x 10" x 96"	10
1312230	1-1/2" x 10" x 108"	11

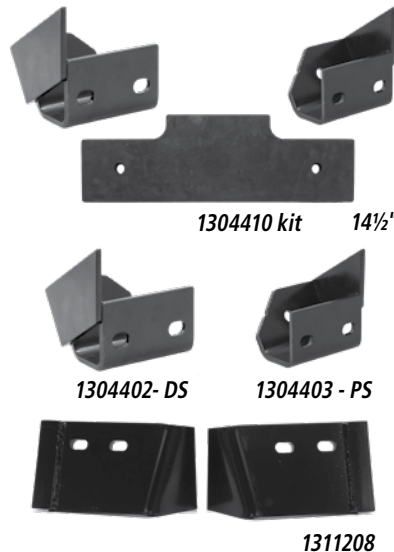
All rubber cutting edges, call for pricing.

CUTTING EDGE WING, URETHANE



PART NO.	DESCRIPTION	OEM PART NO.
1304466	Urethane Cutting Edge, Wide-out Plow	50645

V-PLOW CENTER EDGES, STEEL + RUBBER



1304410 kit 14 1/2"

1304402- DS

1304403 - PS

1311208

PART NO.	DESCRIPTION	OEM PART NO.
1312202	Rubber Cutting Edge, EZ-V	63508
1304402	Flap Mounting Plate DS, EZ-V	63510
1304403	Flap Mounting Plate PS, EZ-V	63509
1304410	Center Flap Kit w/ hdw, EZ-V (Includes 1312202, 1304402, 1304403)	26858
1311206	Cutting Edge, Center, PS, Steel, XV, MVPP	44890
1311207	Cutting Edge, Center, DS, Steel, XV, MVPP	44891
1311208	Cutting Edge Kit, Centers, Steel, XV, MVPP	44894

REPLACEMENT PARTS FOR FISHER® SNOWPLOWS

BACK DRAGS



PART NO.	DESCRIPTION	OEM PART NO.
1311216	Back Drag, XV, 8-1/2'	44282-2
1311217	Back Drag, XV, 9-1/2'	44283-2

CUTTING EDGE NUTS & BOLTS



PART NO.	DESCRIPTION	OEM PART NO.
1301061	Carriage Bolt, 1/2" x 2" Grade 5 w/Locknut (10 pcs.)	5551
1301065	Carriage Bolt, 5/8" x 2-1/2" Grade 5 w/Locknut (12 pcs.)	

BULK - CUTTING EDGE NUTS & BOLTS

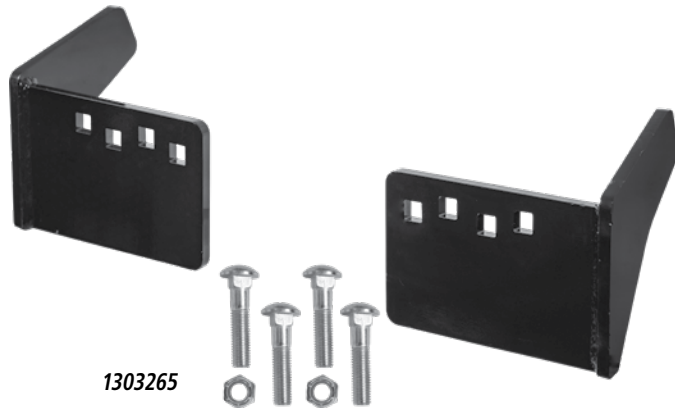
PRODUCTS SOLD IN PACKAGES OF 1200 PIECES, PRICED PER PIECE.

PART NO.	DESCRIPTION
FCB050013200	Zinc Carriage Bolt, 1/2"-13 x 2" Grade 5
FNE050013053	Nylon Lock Nut, 1/2"-13 Zinc

PRODUCTS SOLD IN PACKAGES OF 550 PIECES, PRICED PER PIECE.

PART NO.	DESCRIPTION
FCB063011250	Zinc Carriage Bolt, 5/8"-11 x 2 1/2" Grade 5
FNE063011069	Nylon Lock Nut, 5/8"-11 Zinc

WEAR/CURB GUARD, KIT



1303265

PART NO.	DESCRIPTION	OEM PART NO.
1303265	Wear/Curb Guard Kit, Includes DS and PS with Hardware	43885
1303266	DS Only Wear/Curb Guard, Includes Hardware	43896 / 44421
1303267	PS Only Wear/Curb Guard, Includes Hardware	43897 / 44421

WEAR/CURB GUARD, SINGLE



PART NO.	DESCRIPTION	OEM PART NO.
1303270	Curb Guard, Single, 1/2"	44403
1303275	Curb Guard, Single, 5/8"	44404

SNOW CONTROL



PART NO.	DESCRIPTION	OEM PART NO.
1304440	Snow Control, used on XV2	43118

FISHER
PLOW PARTS



FLEXIBLE BLADE GUIDES



PART NO.	DESCRIPTION	OEM PART NO.
1308300	22" Black Flexible Blade Guides w/ Hardware (1 Pair)	7906K



PART NO.	DESCRIPTION
1308103	24" Orange Flexible Blade Guides w/ Hardware (1 Pair)

SHOE PARTS



PART NO.	DESCRIPTION	OEM PART NO.
1303300	6" Anti-Wear Shoe Assy.	A5516
1303305	7" Anti-Wear Shoe Assy.	A5517
1303310	Shoe Tube Holder	6821
1303315	Shoe Spacer	307-1
1303320	Shoe Pin	308K

TRIP SPRINGS



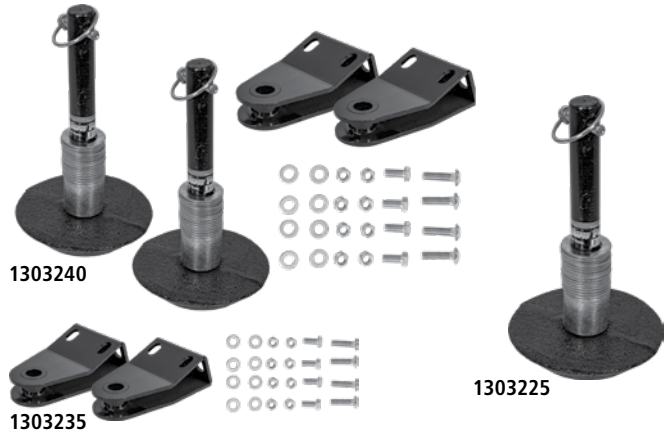
PART NO.	DESCRIPTION	OEM PART NO.
1302207	Trip Spring, for Unimount MVP	21452
1302305	Trip Spring Assembly	A3770
1302310	Trip Spring	27406/305

TRIP SPRINGS



PART NO.	DESCRIPTION	OEM PART NO.
1302308	Trip Spring Bolt	91003
1302309	Trip Spring Nut	90353
1302315	Spring Bar (replaces B403)	6631

HEAVY DUTY SHOE ASSEMBLY & PARTS



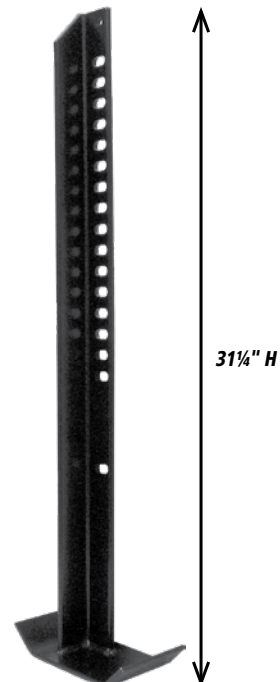
PART NO.	DESCRIPTION	OEM PART NO.
1303225	HD Shoe Assembly (Casting)	53595
1303235	HD Shoe Brackets with Hardware	44728
1303240	HD Shoe Assembly Kit with Brackets and Hardware	44277-1

HEAVY DUTY SHOE KIT FOR DEFENDER



PART NO.	DESCRIPTION	OEM PART NO.
1303255	Shoe Kit with Brackets and Hardware, Defender	83845

PLOW JACK LEG



PART NO.	DESCRIPTION	OEM PART NO.
1315205	Plow Jack Leg	27462

REPLACEMENT PARTS FOR FISHER® SNOWPLOWS

MOTOR SOLENOIDS

- Continuous duty



1306400



*1306401

PART NO.	DESCRIPTION	OEM PART NO.
1306400	Motor Solenoid, 100 AMP	5794
1306401*	Motor Solenoid, 150 AMP	5794K-1

*1306401 works on all models.

POWER ANGLING & LIFT CYLINDERS



PART NO.	DESCRIPTION	OEM PART NO.
1304206	1-1/2" x 10", Angle	49460
1304218	1-3/4" x 11", Angle	44341
1304300	1-1/2" x 12", Angle	20117K
1304305	1-1/2" x 10", Lift	20116K
1304310	2" x 16", Angle	A5166K
1304217	2" x 10", Double Acting, Angle(V-Plow)	56709F
1304311	1-1/2" x 6", Single Acting, Lift	56718
1304312	1-1/2" x 12", Single Acting, Angle w/Polypak	56603K

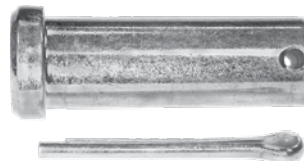
Cylinder pictured is for reference only actual cylinder style may vary.
See pg. 152 for detailed dimensions

SEAL KITS & PACKING NUTS



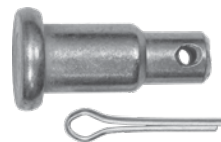
PART NO.	DESCRIPTION	OEM PART NO.
1305200	Packing Set, 1-1/2"	339K
PART NO.	DESCRIPTION	OEM PART NO.
1305211	Packing Nut, 1-1/2"	5763
PART NO.	DESCRIPTION	OEM PART NO.
1305316	Seal Kit, Cylinder, 1-1/2"	56556

CLEVIS PIN WITH COTTER



PART NO.	DESCRIPTION	OEM PART NO.
1302300	Clevis Pin w/Cotter, 3/4" x 2-3/16"	5523K

STEP PIN KIT



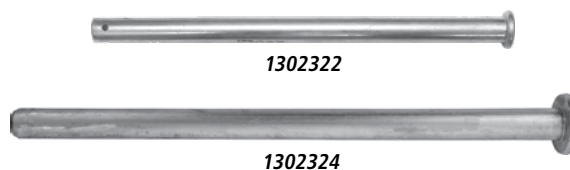
PART NO.	DESCRIPTION	OEM PART NO.
1302319	Step Pin Kit	27177K

CLEVIS PIN & CYLINDER PIN



PART NO.	DESCRIPTION	OEM PART NO.
1302320	Clevis Pin, 1" x 3-1/4" (replaces B314)	6814
1302325	Anchor Pin w/Cotter, 1" x 4"	7903K
1302327	Cylinder Pin, 1" x 4-3/4"	22260
1302328	Clevis Pin Kit, 3/8" x 3-1/4" (Includes Pin, Washer, Cotter)	26219

PIVOT PINS



PART NO.	DESCRIPTION	OEM PART NO.
1302322	Pivot Pin, 1" x 16"	26060
1302324	Main Pivot Pin	44028

PINS



PART NO.	DESCRIPTION	OEM PART NO.
1302370	Pin, 1-1/4" x 5-1/2"	5142
1302375	Pin, 1-1/4" x 4-7/8"	5150

CONNECTING PIN ASSEMBLY



PART NO.	DESCRIPTION	OEM PART NO.
1302330	Connecting Pin Assembly	6920K
1302340	Spring for Connecting Pin	821
1302345	"E" Retaining Ring, 1" (10 pcs.)	330

HYDRAULIC HOSES



PART NO.	DESCRIPTION	OEM PART NO.
1304627	1/4" x 42" w/FJIC ends	56591
1304231	1/4" x 8" w/FJIC ends	56832
1304233	1/4" x 22" w/FJIC ends	56830
NEW 1304242	3/8" x 32" w/FJIC ends	44866
NEW 1304243	3/8" x 36" w/FJIC ends	49501
1304237	3/8" x 45" w/FJIC ends	44316
1304340	1/4" x 36" w/MP ends	4424
1304347	1/4" x 36" w/FJIC ends	56599
1304348	1/4" x 32" w/FJIC ends	56710

PART NO.	DESCRIPTION	OEM PART NO.
1304301	1/4" x 36" w/MP ends (bulk-100/bx)	4424
1304307	1/4" x 42" w/NPT MP ends (bulk-100/bx)	375

SWIVEL ADAPTER



PART NO.	DESCRIPTION	OEM PART NO.
1304315	90° Ad Union (Male) 1/4" NPTF/NPSM	319K

HEX NIPPLE



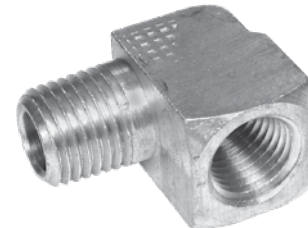
PART NO.	DESCRIPTION	OEM PART NO.
1304320	Hex Nipple, 1/4"	5804

BRASS STREET ELBOW



PART NO.	DESCRIPTION	OEM PART NO.
1304345	Brass Street Elbow 1/4" NPTF x 90°	2780K

BRASS BAR STREET ELBOW



PART NO.	DESCRIPTION	OEM PART NO.
1304350	Brass Bar Street Elbow, 1/4"	765

HYDRAULIC & QUICK COUPLERS



1304325

PART NO.	DESCRIPTION	OEM PART NO.
1304325	1/4" Quick Disconnect	A1587
B4002SS	1/4" SST Hyd Coupler	-
1304026	1/4" Quick Coupler, Bulk, 100pc Box	A1587

DUST PLUG



PART NO.	DESCRIPTION	OEM PART NO.
1304330	Dust Plug, Male	1588

REPLACEMENT PARTS FOR FISHER® SNOWPLOWS

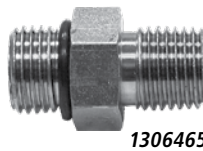
SWIVEL ADAPTER



PART NO.	DESCRIPTION	OEM PART NO.
1304335	Swivel Adapter, 90°	2315

HYDRAULIC ADAPTER

- Carbon Steel



PART NO.	DESCRIPTION	OEM PART NO.
1306465	Adapter, 1/4" NPT to 9/16" O-Ring	3058

PLOW CONTROLLERS



1306952



1306954



1306956

PART NO.	DESCRIPTION	OEM PART NO.
1306952	Hand Controller for Straight Blade Plows, Yellow Faceplate	49800
1306954	Hand Controller for V Blade Plows, Yellow Faceplate	28600
1306956	Hand Controller for EXP Blade Plows, Yellow Faceplate	29800

STRAIGHT BLADE PLOWS CONTROLLER

- Integral diagnostics for easy field troubleshooting
- Easy-grip hand-held design
- Large buttons for ease of use
- "Smart" output channels prevent failure in case of overload or short circuit



PART NO.	DESCRIPTION	OEM PART NO.
1306902	Hand Controller for Straight Blade Plows, Red Faceplate, includes 6 pin adapter	9400

CONTROL ASSEMBLY



PART NO.	DESCRIPTION	OEM PART NO.
1314000	Control Assy. Kit, includes cables	A5795
1314001	Control Assy., Shifter only	—
1314002	Knob & Lever Assy.	5842
1314003	Lockspool	—
1314005	Contact Strip, Copper Band	6064
1314007	Bottom Cover	A5841

JOYSTICK CABLES

- 105" Housing length
- 1" Travel



PART NO.	DESCRIPTION	OEM PART NO.
1306405	Joystick Cable	A5843
1306410	Joystick Cable, Adjustable	A5844

4 1/2" MOTOR



PART NO.	DESCRIPTION	OEM PART NO.
1306326	Motor, 4 1/2", Tang Shaft	21500
1306415	Motor, 4 1/2"	A5819
1306375	Motor Gasket	5822

U-BOLT ASSEMBLY PACKET



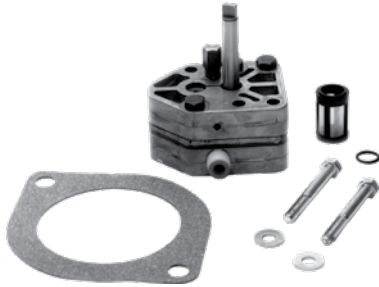
PART NO.	DESCRIPTION	OEM PART NO.
1302360	Clevis, U-Bolt w/ Nuts	A6148K

FISHER PLOW PARTS



FISHER PLOW PARTS

PUMP UNIT



PART NO.	DESCRIPTION	OEM PART NO.
1306478	Pump Kit - includes Pump, Gasket, Filter, O-Ring	419211
1306375	Gasket	25861/5822
1306490	Filter	7053K

CARTRIDGES



1306345



1306350



1306351



1306355



1306356

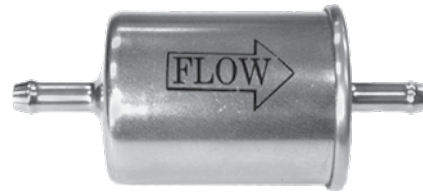
PART NO.	DESCRIPTION	OEM PART NO.
1306345	Cartridge 20 w/Nut 2-way	7634K-2
1306350	Cartridge 30 w/Nut 3-way	7636K-1
1306351	Cartridge 31 w/Nut 3-way	66608K-1
1306355	Cartridge 40 w/Nut 4-way	7637K-1
1306356	Cartridge 43 w/Nut 4-way	66783K

COIL WITH SPADE TERMINALS



PART NO.	DESCRIPTION	OEM PART NO.
1306360	Coil With Spade Terminals	7639

IN-LINE FILTER KIT



PART NO.	DESCRIPTION	OEM PART NO.
1306427	In-Line Filter Kit	8764

POWER CABLES



PART NO.	DESCRIPTION	OEM PART NO.
1306445	Battery Cable, 60" Red	5797
1306450	Ground Cable, 60" Black	5798
1306455	Battery Cable, 22" Red	5799

PLOW & VEHICLE HARNESS REPAIR KITS

- Replacement for Minute Mount® original style 2 plug



1315310



1315315

PART NO.	DESCRIPTION	OEM PART NO.
1315310	Male, 9-Pin Plow Harness Repair Kit	22335K
1315315	Female, 9-Pin Vehicle Harness Repair Kit	22336K

REPLACEMENT PARTS FOR FISHER® SNOWPLOWS

LIGHTING ADAPTER

NEW



PART NO.	DESCRIPTION	OEM PART NO.
1311820	Fisher® to SAM 5-PIN	—

See Page 126 for Plug and Play Fisher® Lighting

BATTERY CONNECTOR



PART NO.	DESCRIPTION	OEM PART NO.
1306095	Side Post Battery Adapter	22381K

LOW-TEMPERATURE BLUE HYDRAULIC FLUID

• Rated at -50°



PART NO.	DESCRIPTION
1307005	1 Quart Bottle
1307010	1 Case (12 Quarts)
1307014	1 Case (4 Individual Gal.)
1307015	5-Gallon Pail w/Spout
1307020	55-Gallon Drum

A-FRAMES & SECTORS



PART NO.	DESCRIPTION	OEM PART NO.
1316110	Old-Style Sector for 7-1/2' Plow	12326
1316115	Old-Style A-Frame for 8' Plow	13608
1316120	Old-Style Sector for 8' Plow	12793

FISHER
PLOW PARTS

JACK STAND



PART NO.	DESCRIPTION	OEM PART NO.
1316140	Jack Stand	22245



CUTTING EDGES, RUBBER



PART NO.	DESCRIPTION	OEM PART NO.
1312005	1" x 6" x 78"	08186
1312010	1-1/2" x 8" x 78"	08187
1312020	1-1/2" x 8" x 90"	08189
1312025	1-1/2" x 8" x 96"	08190
1312030	1-1/2" x 8" x 102"	08191
1312035	1-1/2" x 10" x 108"	08192
1312040	1-1/2" x 10" x 120"	08193

All rubber cutting edges, call for pricing.

CUTTING EDGES, HIGH CARBON STEEL



PART NO.	DESCRIPTION	OEM PART NO.
1301010	3/8" x 6" x 72"	09130
1301005	3/8" x 6" x 78", 6-Hole	09100
1301015	3/8" x 6" x 78"	09131
1301025	3/8" x 6" x 90"	09796
1301100	1/2" x 6" x 18"	811000233*
1301105	1/2" x 6" x 45"	801100019*
1301106	1/2" x 6" x 48"	09484
1301110	1/2" x 6" x 51"	801100020*
1301111	1/2" x 6" x 54"	09485
1301112	1/2" x 6" x 60"	09486
1301016	1/2" x 6" x 78"	09131
1301030	1/2" x 6" x 90"	09796HD
1301035	1/2" x 6" x 96"	09133
1301040	1/2" x 6" x 102"	09134
1301045	1/2" x 6" x 108"	07259
1301050	1/2" x 6" x 120"	07235
1301281	5/8" x 6" x 120"	—

See pgs. 150-151 for detailed dimensions.

*Replacement for Diamond® Only

CUTTING EDGE NUTS & BOLTS



PART NO.	DESCRIPTION	OEM PART NO.
1301061	Set of 10 (1/2" x 2")	08184
1301062	Set of 10 (1/2" x 3 1/2")	—
1301065	Set of 12 (5/8" x 2 1/2")	08318

BULK CUTTING EDGE NUTS & BOLTS

PRODUCT SOLD IN PACKAGES OF 1,200 PIECES, PRICED PER PIECE

PART NO.	DESCRIPTION
FCB050013200	Zinc Carriage Bolt, 1/2"-13 x 2" Grade 5
FNE050013053	Nylon Lock Nut, 1/2"-13 Zinc

PRODUCT SOLD IN PACKAGES OF 550 PIECES, PRICED PER PIECE

PART NO.	DESCRIPTION
FCB063011250	Zinc Carriage Bolt, 5/8"-11 x 2-1/2" Grade 5
FNE063011069	Nylon Lock Nut, 5/8"-11 Zinc

EYEBOLT W/NUTS



PART NO.	DESCRIPTION	OEM PART NO.
1302005	Usable Thread - 5", Hole Diameter - 0.455" 5/16" - 11 THD. 6.8"-Overall Length	09124

REPLACEMENT PARTS FOR MEYER®/DIAMOND® SNOWPLOWS

TRIP SPRINGS



1302010

PART NO.	DESCRIPTION	OEM PART NO.
1302010	Trip Spring	07017
1302015	Trip Spring, Compact	12978
1302017	Trip Spring	07215

PIVOT KING BOLT AND HEX NUT



1302036



1302037

PART NO.	DESCRIPTION	OEM PART NO.
1302036	Bolt, King, Pivot, 1/8" X 5-1/2" with Grease Fitting	22398
1302037	1-8 Slotted Nut for King Bolt	22274

TWO HINGE PINS & LINCH PINS



PART NO.	DESCRIPTION	OEM PART NO.
1302045	Two Hinge Pins 5/8" w/ Linch Pins	08562

CONNECTING PIN ASSEMBLY



PART NO.	DESCRIPTION	OEM PART NO.
1302047	Connecting Pin Assy., Blue	11859
1302049	Connecting Pin Assy., Yellow	11860

TWO PIVOT PINS



1302030



1302031

PART NO.	DESCRIPTION	OEM PART NO.
1302030	Two Pivot Pins w/Cotter	08541
1302031	Two Pivot Pins w/Grease Fitting	08554C

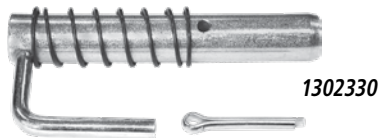
PIVOT PINS



PART NO.	DESCRIPTION	OEM PART NO.
1302038	Pivot Pins, 1 X 8-3/4" w/Grease Fitting	22375



PINS



PART NO.	DESCRIPTION
1302330	Connecting Pin Assembly
1302340	Spring for Connecting Pin
1302345	"E" Retaining Ring, 1" (10 pcs.)

SHOE ASSEMBLIES & RUNNERS



1303002



1303003



1303005



1303010

PART NO.	DESCRIPTION	OEM PART NO.
1303002	Shoe Assy. STD (Drive Pro)	09127
1303003	Shoe Assy. STD	09362
1303005	Shoe Assembly ST-78/C-8.5	09126
1303010	Shoe Assembly M-9/M-10	09592
1303015	Runner only ST-78/C-8.5	07006
1303020	Runner only M-9/M-10	07086
1303025	Spindle only ST-78/M-10	12057

ANTI-WEAR SHOE ASSEMBLY & RUNNER



PART NO.	DESCRIPTION	OEM PART NO.
1303100	Anti-Wear Shoe Assembly	81100011*

*Replacement for Diamond® Only

LINCH PINS & WASHERS



PART NO.	DESCRIPTION	OEM PART NO.
1303030	Linch Pin, 7/16" fits BPC Spindle (10-Pk)	20420
1303031	Linch Pin, 1/4" fits OEM Spindle (10-Pk)	22083
1303032	Linch Pin, 7/16" (2-Pack)	20420
1303033	Linch Pin, 1/4" (2-Pack)	22083

BLADE GUIDES



1308005



1308006

PART NO.	DESCRIPTION	OEM PART NO.
1308005	26" Blade Guide (pair), yellow	09916

PART NO.	DESCRIPTION	OEM PART NO.
1308006	27" Blade Guide (pair), yellow	811000095*

1308010 Repl. Tips, 100 pcs. 811000161

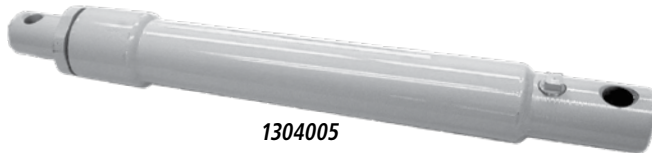
*Replacement for Diamond® Only

REPLACEMENT PARTS FOR MEYER®/DIAMOND® SNOWPLOWS

POWER ANGLING & LIFT CYLINDERS



1304006



1304005

PART NO.	DESCRIPTION	OEM PART NO.
1304005	Angle, 1-1/2" x 10"	05810
1304006	Angle, 1-1/2" x 10", cross drilled	07968
1304007	Angle, 1-3/4" x 8"	05815
1304008	Angle, 2" x 9-3/4", cross drilled	05880
1304010	Angle, 1-1/2" x 12"	05437
1304015	Angle, 2" x 12"	05752
1304017	Angle, 1-1/4" x 12"	05756
1304020	Lift, 1-1/2" x 6"	05984
1304100	Lift & Angle, 1-1/2" x 10"	81700020*

PART NO.	DESCRIPTION
H3269X6X4	Connector, Male Std. Thd, to Female NPT, 3/8" x 1/4"

Cylinders pictured are for reference only. Actual cylinder style may vary. See pg. 152 for detailed dimensions. *Replacement for Diamond® Only

PACKING SET & PACKING NUTS FOR CYLINDERS



PART NO.	DESCRIPTION	OEM PART NO.
1305100	Packing Set, 1-1/2" Ram	07705
1305105	Packing Set, 2" Ram	07799
1305110	Packing Nut, 1-1/2" Ram	07805
1305115	Packing Nut, 2" Ram	07806

REPLACEMENT HEADLAMP SWITCH FOR MEYER®



PART NO.	DESCRIPTION	OEM PART NO.	WT. (LBS)
1311006	Headlamp Switch	07955	0.1



MEYER/DIAMOND
PLOW PARTS

HOSES



1304030



1304033



1304035

PART NO.	DESCRIPTION	OEM PART NO.
1304030	45" w/Swivel	21856
1304033	1/4" x 45" MPR x FPR Hose (E-60)	22144
1304035	65" w/Swivel	21866

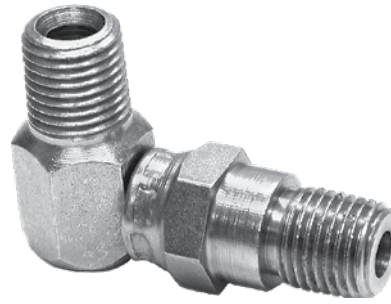
PART NO.	DESCRIPTION	OEM PART NO.
1304031	Hose, 45" w/Swivel, bulk-100/bx	21856

ANGLE HOSE REPLACEMENT KIT



PART NO.	DESCRIPTION
1304060	Kit includes: Two 45" Hoses w/ Swivels, Two Quick Couplers, Two 90° Swivel Elbows

SWIVEL ELBOW 90°



PART NO.	DESCRIPTION	OEM PART NO.
1304055	Swivel Elbow 90°	21855

MALE ELBOWS



1304245

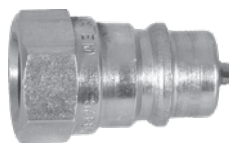


1304240

PART NO.	DESCRIPTION	OEM PART NO.
1304245	Male Elbow, Tall (E-60)	21857
1304240	Male Elbow, Short (E-60)	22141

REPLACEMENT PARTS FOR MEYER®/DIAMOND® SNOWPLOWS

COUPLERS



1304021



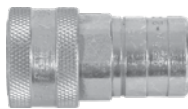
1304029



1304029C



1304028



1304022



1304028C

PART NO.	DESCRIPTION	OEM PART NO.
1304021	1/4" Male NPT Hose Coupler	22291
1304022	1/4" NPT Female Half Coupler	22292
1304025	1/4" Quick Coupler	(M) 15072 (D) 875200100
1304027	Male/Female Coupler Complete 3/4-16 Valve Block Side	N/A
1304028	Male Coupler 3/4-16 Valve Block Side Low Spill	22293 15821
1304028C	1/4" NPT Coupler, Female Hose, Male Block	15848C
1304029	Female Coupler 3/4-16 Valve Block Side	22294 15822
1304029C	1/4" NPT Coupler, Male Hose, Female Block	15847C

PART NO.	DESCRIPTION	OEM PART NO.
1304026	1/4" Quick Coupler, Bulk, 100pc Box	(M) 15072 (D) 875200100

(M) = Meyer® (D) = Diamond®

DUST PLUG



PART NO.	DESCRIPTION	OEM PART NO.
1304330	Dust Plug	81700026*

*Replacement for Diamond® Only

LIGHTING ADAPTER



PART NO.	DESCRIPTION	OEM PART NO.
1311830	Meyer® to SAM 5-PIN	-

See Page 126 for Plug and Play Meyer® Lighting

MEMBRANE SWITCH



PART NO.	DESCRIPTION	OEM PART NO.
1306083	Membrane Switch	22154

STRAIGHT BLADE/V-BLADE PLOWS CONTROLLER

- Integral diagnostics for easy field troubleshooting
- Easy-grip hand-held design
- Large buttons for ease of use
- "Smart" output channels prevent failure in case of overload or short circuit.



1306901



1306091



1306092

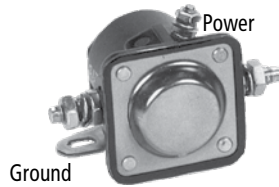
PART NO.	DESCRIPTION	OEM PART NO.
1306901	Snowplow hand controller for Meyer Straight Blades, yellow faceplate	22154
1306091	Snowplow hand controller Straight Blade, 12 pin plug	23047
1306092	Snowplow hand controller V-Plow, 12 pin plug	23037



MEYER/DIAMOND
PLOW PARTS

MOTOR SOLENOID

- Intermittent duty
- 100 Amp
- Positive activated



PART NO.	DESCRIPTION	OEM PART NO.
1306070	Motor Solenoid	15370

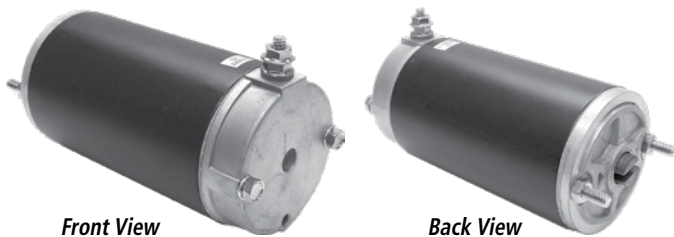
SWITCHES

- 4 prongs on underside



PART NO.	DESCRIPTION	OEM PART NO.
1306075	Angle Switch (E-47)	21918
1306080	Lift Switch (E-47)	21919

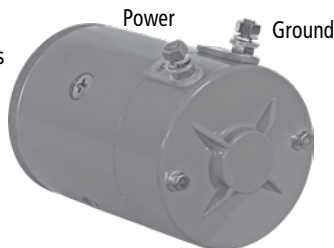
3" MOTOR



PART NO.	DESCRIPTION	OEM PART NO.
1306005	3" Motor	15054

4-1/2" STYLE TWIN POST MOTOR

- Ground wire included for replacing single post motors



PART NO.	DESCRIPTION	OEM PART NO.
1306007	4 1/2" Style Twin Post Motor (M) 15841/ 15727 (D) 15689	

(M) = Meyer® (D) = Diamond®

"A" SOLENOID, 3/8" STEM (COIL & VALVE)

- For E-47® Series
- Function is drop



PART NO.	DESCRIPTION	OEM PART NO.
1306015	"A" Solenoid, Coil & Valve, 3/8" Stem	15356
1306016	"A" Coil, 3/8" Bore	15392
1306020	"A" Valve, 3/8" Stem	15393

"A" SOLENOID, 1/2" STEM (COIL & VALVE)

- For E-60® Series
- Function is drop



PART NO.	DESCRIPTION	OEM PART NO.
1306035	"A" Solenoid, Coil & Valve, 1/2" Stem	15661
1306025	"A" Coil, 5/8" Bore Works on 1/2" Stem	15659
1306030	"A" Valve, 1/2" Stem	15660

"B" SOLENOID, 5/8" (COIL & VALVE)

- For E-47® Series & E-60® Series
- Function is lift/angle



PART NO.	DESCRIPTION	OEM PART NO.
1306040	"B" Solenoid, Coil & Valve, 5/8" Stem	15357/15697C
1306045	"B" Coil, 3 Way, 5/8" Bore	15382C
1306050	"B" Valve, 5/8" Stem	15698

REPLACEMENT PARTS FOR MEYER®/DIAMOND® SNOWPLOWS

S.A.M.
Snowplow Aftermarket
Manufacturing

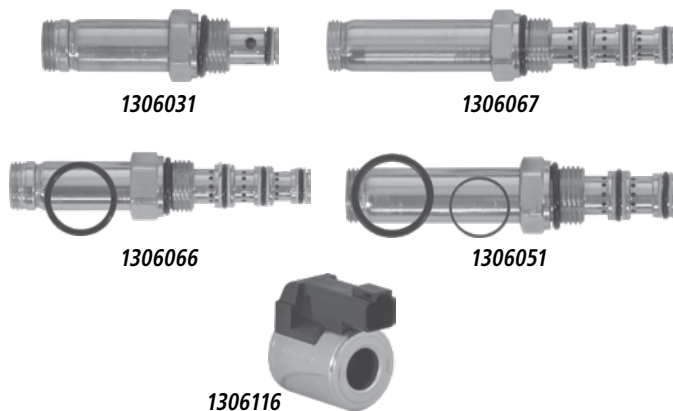
"C" SOLENOID, 5/8" (COIL & VALVE)

- For E-47® Series & E-60® Series
- Function is right movement



PART NO.	DESCRIPTION	OEM PART NO.
1306055	"C" Solenoid, Coil & Valve, 5/8" Stem	15358C
1306060	"C" Coil, 4 Way, 5/8" Bore	15430C
1306065	"C" Valve, 5/8" Stem	15381C

11/16" VALVES & COIL (V-PLOWS)



PART NO.	DESCRIPTION	OEM PART NO.
1306031	"A" & "B" Valve, 11/16"	15917C
1306067	"C" Valve, 11/16" Stem	15958C
1306051	"C" & "D" Valve, 11/16" Stem	15918C
1306066	"E" Valve, 11/16" Stem	15919C
1306116	Coil, 11/16" Bore	15916C

BATTERY CONNECTOR



PART NO.	DESCRIPTION	OEM PART NO.
1306095	Battery Connector	21976

CROSSOVER VALVE KITS



PART NO.	DESCRIPTION	OEM PART NO.
1306105	Crossover Valve Kit	15606
1306107	Crossover Relief Cartridge	15974C

CABLES



PART NO.	DESCRIPTION	OEM PART NO.
1306110	Red Power Cable, 36"	05024
1306120	Red Power Cable, 63"	15671
1306125	Black Ground Cable, 51"	15672

CABLE & PLUG ASSEMBLY



PART NO.	DESCRIPTION	OEM PART NO.
1306115	Cable & Plug Assembly	15670
1306117	Cable & Plug Assy. w/ Dual Ground	15811

LOW-TEMPERATURE BLUE HYDRAULIC FLUID

- Rated at -50°



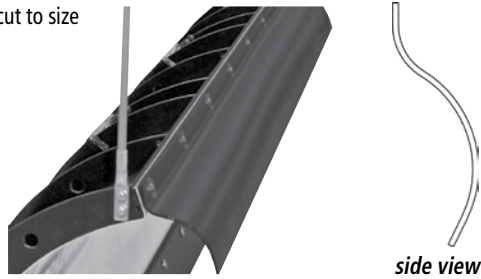
PART NO.	DESCRIPTION
1307005	1 Quart Bottle
1307010	1 Case (12 Quarts)
1307014	1 Case (4 Individual Gal.)
1307015	5-Gallon Pail w/Spout
1307020	55-Gallon Drum

MEYER/DIAMOND
PLOW PARTS

MEYER/DIAMOND
PLOW PARTS

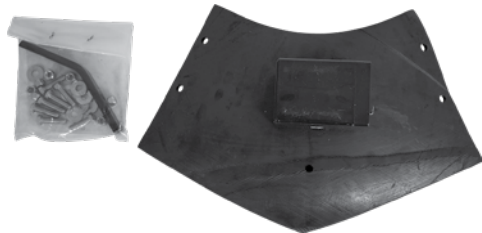
THERMOPLASTIC SNOW DEFLECTOR

- Can be cut to size



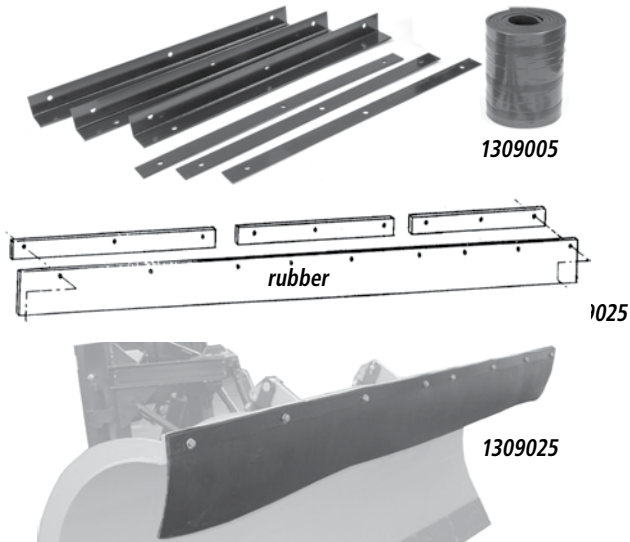
PART NO.	DESCRIPTION
1309035	Universal Contoured, Thermoplastic Deflector, 3/16" x 8" x 108" w/ Fasteners

TOP SNOW DEFLECTOR



PART NO.	DESCRIPTION	OEM PART NO.
1309040	Top Deflector for SV 8.5' and 9.5'	09230

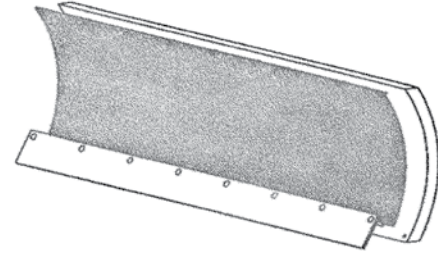
RUBBER SNOW DEFLECTORS



PART NO.	DESCRIPTION	OEM PART NO.
1309005	Deflector ST-78/90 w/Mtg. Kit	12896-7
1309010	Replacement Rubber, 9"x96" for 1309005	12900
1309015	Deflector C-8.5/M-9/M-10 w/Mtg. Kit	12898
1309020	Replacement Rubber, 9"x120" for 1309015	12901
1309025	Universal Super-Duty Deflector, 12" x 120" x 1/2" w/Mtg. Kit	—
1309030	Replacement Rubber for 1309025	—

PLOW SHIELD

- Poly
- 1/16" thick



PART NO.	DESCRIPTION
1310020	Yellow Plow Shield, 28" x 96"

PRESSURE RELIEF VALVE W/BUSHING

- 125 in.-lbs. torque
- 45 psi min
- 80 psi max
- 1/4 x 1/8 NPT



PART NO.	DESCRIPTION	OEM PART NO.
1306100	Pressure Relief Valve w/Bushing	08473

IN-LINE FILTER KIT



PART NO.	DESCRIPTION	OEM PART NO.
1306427	In-Line Filter Kit	816000255*

*Replacement for Diamond® Only

UNDER-THE-SEAT EMERGENCY REPAIR KIT

Contains the most frequently used on-the-job repair parts. Avoid long waits and afterhour downtime. Kit is packaged in a sturdy polyethylene box designed for under-the-seat storage.



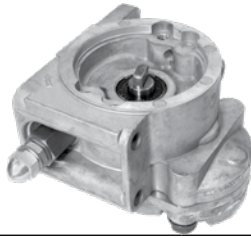
PART NO.	DESCRIPTION
1302097	Emergency Kit for Meyer®

REPAIR KIT CONTAINS:

QTY	PART NO.	DESCRIPTION	REPLACES OEM PART NO.
1	1304033	Hose, 45"	22144
1	1302005	Eyebolt w/Nuts	09124
1	1302010	Trip Spring	07017
1 pr.	1302045	Hinge Pins w/Clips	8562
1	1304025	Hydraulic Quick Coupler	15072
1	1304055	45" Hose w/Swivel	21855
1	1306070	Motor Solenoid	15370
1	BRC	Box	—

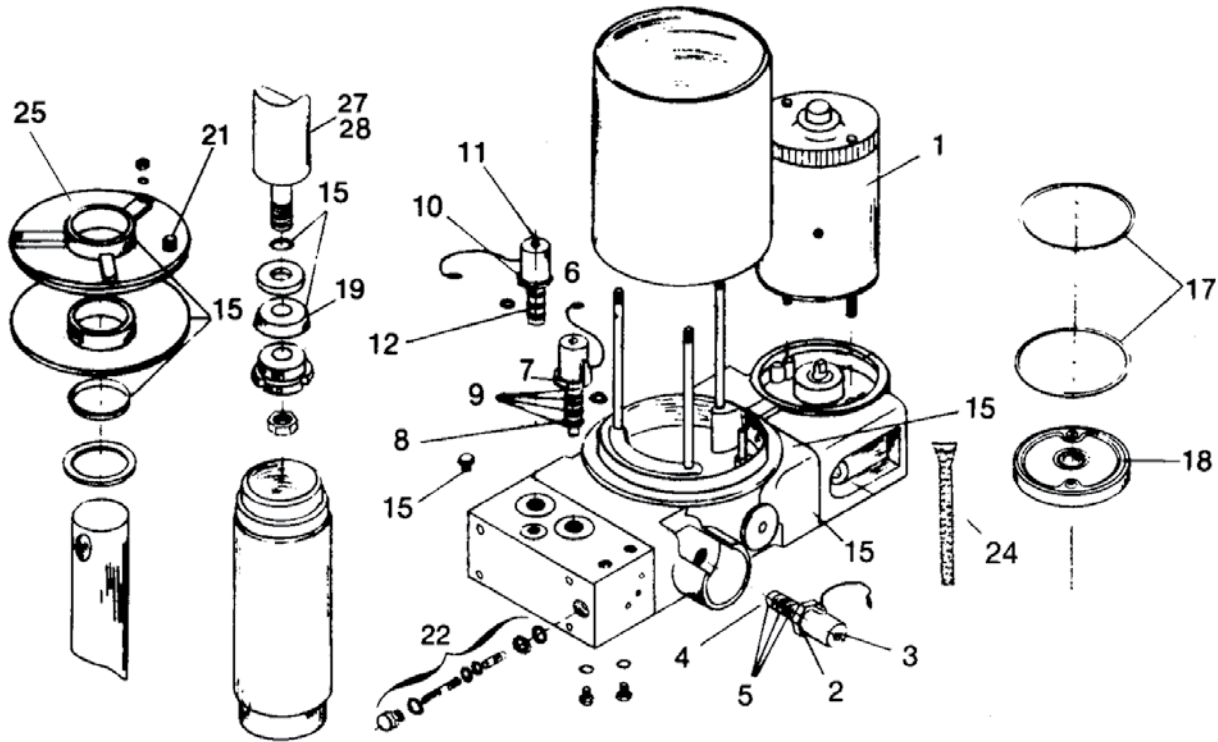
REPLACEMENT PARTS FOR MEYER®/DIAMOND® SNOWPLOWS

GEAR PUMP FOR E-47



PART NO.	DESCRIPTION	OEM PART NO.
1306152	Replacement Gear Pump for E-47	15026

HYDRAULIC PARTS FOR MEYER® HYDRAULIC UNIT E-47



LOC	PART NO.	DESCRIPTION	OEM PART NO.
	1	1306005 Motor, 3" 12V DC	15054
■	2	1306015 "A" Solenoid, Coil & Valve, 3/8" Stem	15356
■	3	1306016 "A" Coil, 3/8" Bore	15392
	4	1306020 "A" Valve, 3/8" Stem	15393
■	N.I.	1306035 "A" Solenoid, Coil & Valve, 1/2" Stem	15661
	N.I.	1306025 "A" Coil, 1/2" Bore	15659
■	N.I.	1306030 "A" Valve, 1/2" Stem	15660
	5†	1306130 "A" Seal Kit	15431
	6	1306055 "C" Coil & Valve, 5/8" Stem	15358
	7	1306060 "C" Coil, 4 Way, 5/8" Bore	15430
■	8	1306065 "C" Valve, 5/8" Stem	15381
	9†	1306135 "C" Seal Kit	15433
	10	1306040 "B" Solenoid, Coil & Valve, 5/8" Stem	15357
	11	1306045 "B" Coil, 3 Way, 5/8" Bore	15382

LOC	PART NO.	DESCRIPTION	OEM PART NO.
	12	1306050 "B" Valve, 5/8" Stem	15698
	15†	1306150 Seal Kit (E-46, E-47, E57)	15254
	N.I.	1306155 Master Seal Kit (includes kits denoted by †)	15456
	17	1306165 Gasket	551G
	18	1306170 Drive End Cap & Bushing	5001
	19	1306175 Cup Packing	15162
	21	1306100 Pressure Relief Valve w/Bush	08473
■	22	1306105 Crossover Valve Kit	15606
	24	1306153 Strainer	15326
	25	1306186 Cover & Seal Assy.	15738
	27	1306173 Ram, Electro Touch 6" Stroke	15208
	28	1306174 Ram, Electro Touch 8" Stroke	15206

LOC. — Location on drawing
 N.I. — Not Illustrated
 † — Included in Master Seal Kit (1306155)

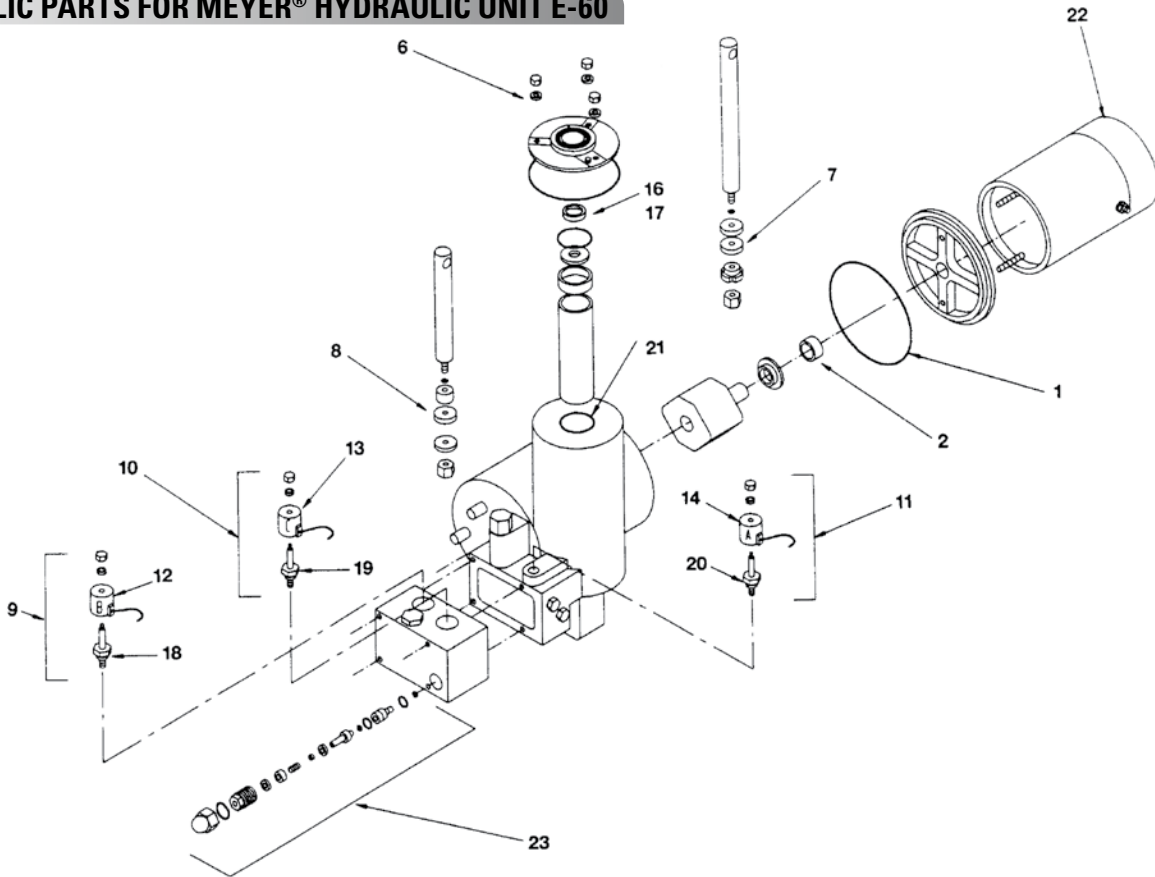
GEAR PUMP FOR E-60



MEYER/DIAMOND
PLOW PARTS

PART NO.	DESCRIPTION	OEM PART NO.
1306202	Replacement Gear Pump for E-60	15729

HYDRAULIC PARTS FOR MEYER® HYDRAULIC UNIT E-60



LOC NO.	PART NO.	DESCRIPTION	OEM PART NO.
1	1306195	O-Ring	15687
2	1306200	Seal, Shaft	15686
6	1306190	Washer, Nylite 5/16"	21929
7	1306175	Packing Cup	15162
8	1306176	Packing Cup	15691
9	1306040	"B" Solenoid Assembly, High Flow	15697
10	1306055	"C" Solenoid Assembly	15358
11	1306035	"A" Solenoid Assembly	15661
12	1306045	"B" Coil, Red Wire	15382
13	1306060	"C" Coil, Green Wire	15430
14	1306025	"A" Coil, Black Wire	15659
16	1306210	Sleeve E-60	15737
17	1306212	Sleeve E-60-H	15199

LOC NO.	PART NO.	DESCRIPTION	OEM PART NO.
18	1306050	"B" Valve Cartridge	15698
19	1306065	"C" Valve Cartridge	15381
20	1306030	"A" Valve Cartridge	15660
21	1306183	O-Ring, 1-15/16" I.D.	15163
22	1306007	Motor, 4-1/2"	15727 15841
23	1306105	Crossover Valve Kit	15606
N.I.	1306220	Basic Seal Kit	15707
N.I.	1306225	Master Seal Kit	15705
N.I.	1306173	Ram, Electro Touch 6" Stroke	15208
N.I.	1306174	Ram, Electro Touch 8" Stroke	15206

LOC. — Location on drawing
N.I. — Not Illustrated

REPLACEMENT PARTS FOR SNO-WAY® SNOWPLOWS

HEAVY-DUTY PLOW SHOE ASSEMBLY

- 8.74" Overall height
- 1" Post diameter
- 5.69" Shoe diameter



PART NO.	DESCRIPTION	OEM PART NO.
1303505	H-D Plow Shoe Assy.	96102542

CUTTING EDGES — HIGH CARBON STEEL



PART NO.	DESCRIPTION	OEM PART NO.
1303510	3/8" x 6" x 80" (for ST, 24, 25 Series Plows)	96100521 96100275
1303530	3/8" x 6" x 80" (for 26 Series Plows)	96107649 96106376
1303540	3/8" x 6" x 96" (for 29, 29T Series Plows)	96106669 96106337

See pgs. 150-151 for detailed dimensions.

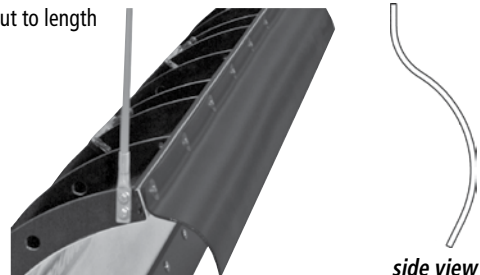
CUTTING EDGE NUTS & BOLTS



PART NO.	DESCRIPTION	OEM PART NO.
1301061	Carriage Bolts w/Locknuts 1/2"x 2", Set of 10	96006141 96006142 6101838 96103893 96106306

THERMOPLASTIC SNOW DEFLECTOR

- Can be cut to length



PART NO.	DESCRIPTION
1309035	Universal Contoured, Thermoplastic Deflector, 3/16" x 8" x 108" w/ Fasteners

LOW-TEMPERATURE BLUE HYDRAULIC FLUID

- Rated at -50°



PART NO.	DESCRIPTION
1307005	1 Quart Bottle
1307010	1 Case (12 Quarts)
1307014	1 Case (4 Individual Gal.)
1307015	5-Gallon Pail w/Spout
1307020	55-Gallon Drum

BLADE GUIDES



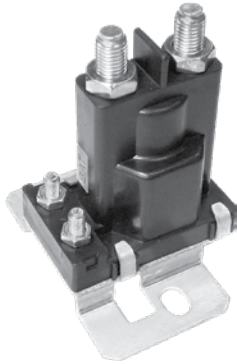
PART NO.	DESCRIPTION	OEM PART NO.
1308102	Blade Guide Kit, Orange 1/2" x 24" Bolt-On Base	96006002
PART NO.	DESCRIPTION	OEM PART NO.
1308200	Blade Guide, Red, 27"	96106696



SNO-WAY
PLOW PARTS

MOTOR SOLENOID

- Continuous duty
- 100 Amp



PART NO.	DESCRIPTION	OEM PART NO.
1303585	Relay Solenoid Hyd. System	96002086

MOTORS



1303590



1303600

PART NO.	DESCRIPTION	OEM PART NO.
1303590	Motor 12 VDC CW Spline Shaft (for 24 & 25 Series Plows)	96001551 *H-25010230
1303600	Motor 12 VDC CCW Tang Shaft (for ST, MT, HT, 26, 28V, 29, 32, HTV Series Plows)	96105233 96106802

*H=Hiniker

CYLINDERS



1303550



1303554



1303700

PART NO.	DESCRIPTION	OEM PART NO.
1303550	Lift Cylinder, 1½" x 4", Double Acting (for 24, 25, 28V, HTV Series Plows)	96100085
1303554	Angle Cylinder, 2-1/4" x 9", Double Acting	96101977
1303557	Angle Cylinder, 1-1/2" x 11-1/4", Single Acting	96107455
1303700	Lift Cylinder, 1½" x 3.87", Double Acting (for 29, 29T, 32 Series Plows)	96106077

PINS



PART NO.	DESCRIPTION	OEM PART NO.
1303111	Hitch Pin w/Linch Pin, 3/4" x 4½"	96105046

REPLACEMENT PARTS FOR SNOWEX® / BLIZZARD® SNOWPLOWS

CUTTING EDGES



PART NO.	DESCRIPTION	OEM PART NO.
1301291	3/8" X 6" x 96"	40552
1304600	1/2" x 6" x 89"	B52067/B61292
1301294	1/2" x 6" x 90"	40695
1304601	1/2" x 6" x 94-1/2"	B52095/B11962
1301293	1/2" x 6" x 96"	40597
1301295	1/2" x 6" x 96"	40696
1304604	1/2" x 6" x 96"	B61259/B61164
1301296	1/2" x 6" x 102"	40697
1304605	1/2" x 6" x 102"	B61532/BB61528
1301297	1/2" x 6" x 108"	40698
1304602	5/8" x 6" x 94-1/2"	B61625/B52139

Hardware not included

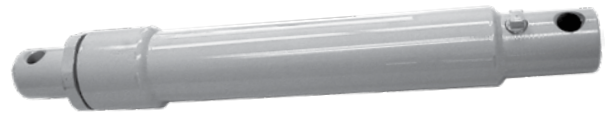
See pgs. 150-151 for detailed dimensions.

BACK DRAGS



PART NO.	DESCRIPTION	OEM PART NO.
1311211	Back Drag, Straight Edge, 7-1/2'	64758
1311212	Back Drag, Straight Edge, 8'	66892
1311213	Back Drag, Straight Edge, 8-1/2'	66999
1311214	Back Drag, Straight Edge, 9'	66991

POWER CYLINDERS



PART NO.	DESCRIPTION	OEM PART NO.
1304640	Angling Cylinder, 2 x 10"	B60029
1304641	Angling Cylinder, 2" x 9-3/8"	B60065
1304642	Angling Cylinder, 2-1/4" x 12"	B60221
1304643	Lift Cylinder, 2-1/2" x 4-5/8"	B60236
1304644	Lift Cylinder, 3-1/2" x 4-5/8"	B60237
1304645	Lift Cylinder, 3" x 4-5/8"	B60255
1304646	Side Box Cylinder, 1-1/2" x 13-15/16"	B60347
1304647	Side Box Cylinder, 1-3/4" x 18-7/16"	B60207

Cylinder pictured is for reference only. Actual cylinder style may vary.

*See pg. 152 for detailed dimensions

BLADE GUIDES



PART NO.	DESCRIPTION	OEM PART NO.
1308200	Blade Guide Kit 27" Red	B61049



RELAY - SOLENOID, 12V

- Continuous duty
- 150 Amp
- Submersible (waterproof)



PART NO.	DESCRIPTION	OEM PART NO.
1304648	Motor Relay (Solenoid), 12V	B80051

PLOW CONTROLLERS



1306982



1306984



1306986



1306992



1306996

PART NO.	DESCRIPTION	OEM PART NO.
1306982	Hand Controller for Straight Blade Plows	SA844400
1306984	Hand Controller for V Blade Plows	SA84455V
1306986	Hand Controller for EXP Blade Plows	SA84455PP
1306992	Hand Controller for Straight Blade Plows	96550
1306996	Hand Controller for EXP Blade Plows	86990

SHOE ASSEMBLIES & PARTS



1303220

PART NO.	DESCRIPTION	OEM PART NO.
1303220	Heavy-Duty Shoe Assembly	49071
1303205	Shoe Washer, 1/8" Thick	91109
1303210	Shoe Spacer, 1-1/2" Long	60045
1303215	Linch Pin	93010

SHOE ASSEMBLY KIT FOR V-PLOW



1303245



1303250



PART NO.	DESCRIPTION	OEM PART NO.
1303245	Shoe Assembly, V-Plow	50695
1303250	Shoe Assembly Kit, V-Plow, with Hardware	50700

CARTRIDGES



1306345



1306350



1306351

PART NO.	DESCRIPTION	OEM PART NO.
1306345	Cartridge 20 w/Nut 2-way	49690/ B60058
1306350	Cartridge 30 w/Nut 3-way	49492
1306351	Cartridge 31 w/Nut 3-way	84951

COIL WITH SPADE TERMINALS



PART NO.	DESCRIPTION	OEM PART NO.
1306360	Coil With Spade Terminals	52294

LIGHTING ADAPTER

NEW



PART NO.	DESCRIPTION	OEM PART NO.
1311820	Snowex® to SAM 5-PIN	-

See Page 126 for Plug and Play SnowEx® Lighting

REPLACEMENT PARTS FOR WESTERN® SNOWPLOWS

WESTERN® PLOWS		
PLOW STYLE/APPLICATION	PLOW MODEL	PAGE
HYDRAULICS	CABLE HYDRAULICS	87
HYDRAULICS	FLOSTAT	87
HYDRAULICS	MVP HYDRAULICS	87
HYDRAULICS	MVP3 HYDRAULICS	87
HYDRAULICS	SOLENOID HYDRAULICS	87
HOMEOWNER/HALF TON	DEFENDER	88
HOMEOWNER/HALF TON	SUBURBANITE	88
HOMEOWNER/HALF TON	ULTRAMOUNT HTS	88
STRAIGHT	MIDWEIGHT	88
STRAIGHT	ULTRAMOUNT PROFLOW	89
STRAIGHT	ULTRAMOUNT 2 PROFLOW 2	89
STRAIGHT	ULTRAMOUNT PRO PLUS	90
STRAIGHT	ULTRAMOUNT 2 PROPLUS	90
V	ULTRAMOUNT MVP	91
V	ULTRAMOUNT 2 MVP3	91
EXPANDING	ULTRAMOUNT PRODIGY	91
EXPANDING	ULTRAMOUNT 2 PRODIGY	92
EXPANDING	ULTRAMOUNT WIDEOUT	92
STANDARD/LEGACY	CONVENTIONAL PRO	92
STANDARD/LEGACY	HEAVYWEIGHT	92
STANDARD/LEGACY	STANDARD	93
STANDARD/LEGACY	UNIMOUNT	93

WESTERN® CABLE HYDRAULICS

DESCRIPTION	BUYERS® PART NO.	WESTERN® PART NO.	PAGE
22 Inch Red Battery Cable	1306340	22511	101
Packing Set 1-1/2 Inch Ram	1305200	25205	98
Old Style 4 and 4-1/2 Inch Motor	1306320	25556	100
60 Inch Red Battery Cable	1306335	25635	101
4-1/2 Inch Motor Gasket	1306375	25861	101
Packing Nut 1-1/2 Inch Ram	1305211	25944	98
Control Assembly Lockspool	1314003	49017	100
Pump Unit Kit	1306478	49211	101
Hydraulic Hose 1/4 x 38 Inch	1304225	55020	98
Hydraulic Hose 1/4 x 38 Inch	1304226	55020	98
Old Style Control Cable	1313005	55363	100
60 Inch Black Ground Cable	1306330	55984	101
Control Assembly Kit With Cables	1314000	56018	100
Control Assembly Contact Strip Copper	1314005	56026	100
Solenoid Relay Cable for Hydraulic System	1306310	56131	100
Pump Unit Filter	1306490	56185	101
1/4 Inch Street 90° Elbow	1304235	92210	96

WESTERN® FLOSTAT

DESCRIPTION	BUYERS® PART NO.	WESTERN® PART NO.	PAGE
4-1/2 Inch Motor Tang Shaft	1306326	21500	100
22 Inch Red Battery Cable	1306340	22511	101
Cartridge 20 With Nut 2-Way	1306345	49227	99
Cartridge 40 With Nut 4-Way	1306355	49229	99
Solenoid Relay Cable for Hydraulic System	1306310	56131	100
6M O-Ring Street 90° Elbow Kit	1304238	56615	98
Hydraulic Hose 1/4 x 42 Inch With FJIC Ends	1304227	56616	98
Hydraulic Hose 1/4 x 16 Inch With FJIC Ends	1304229	56617	98
Cartridge 31 With Nut 3-Way	1306351	66608	99

WESTERN® MVP HYDRAULICS

DESCRIPTION	BUYERS® PART NO.	WESTERN® PART NO.	PAGE
4-1/2 Inch Motor Tang Shaft	1306326	21500	100
Cartridge 20 With Nut 2-Way	1306345	49227	99
Cartridge 30 With Nut 3-Way	1306350	49228	99
Cartridge 40 With Nut 4-Way	1306355	49229	99
6M O-Ring Street 90° Elbow Kit	1304238	56615	98
Hydraulic Hose 1/4 x 42 Inch With FJIC Ends	1304227	56616	98
Hydraulic Hose 1/4 x 16 Inch With FJIC Ends	1304229	56617	98
Cartridge 43 With Nut 4-Way	1306356	66783	99

WESTERN® MVP3 HYDRAULICS

DESCRIPTION	BUYERS® PART NO.	WESTERN® PART NO.	PAGE
4-1/2 Inch Motor Tang Shaft	1306326	21500	100
Cartridge 20 With Nut 2-Way	1306345	49227	99

WESTERN® SOLENOID HYDRAULICS

DESCRIPTION	BUYERS® PART NO.	WESTERN® PART NO.	PAGE
Snow Plow Hand Controller	1306902	9400	100
22 Inch Red Battery Cable	1306340	22511	101
Packing Set 1-1/2 Inch Ram	1305200	25205	98
60 Inch Red Battery Cable	1306335	25635	101
4-1/2 Inch Motor Gasket	1306375	25861	101
Packing Nut 1-1/2 Inch Ram	1305211	25944	98
Pump Unit Kit	1306478	49211	101
Cartridge 20 With Nut 2-Way	1306345	49227	99
Cartridge 30 With Nut 3-Way	1306350	49228	99
Cartridge 40 With Nut 4-Way	1306355	49229	99
9-Pin Female Vehicle Harness Repair Kit	1315315	49308	101
9-Pin Male Plow Harness Repair Kit	1315310	49317	101
60 Inch Black Ground Cable	1306330	55984	101
Solenoid Relay Cable for Hydraulic System	1306310	56131	100
4-1/2 Inch Style Motor Concealed Shaft	1306325	56133	100
Pump Unit Filter	1306490	56185	101

WESTERN
PLOW PARTS



WESTERN® DEFENDER

DESCRIPTION	BUYERS® PART NO.	WESTERN® PART NO.	PAGE
Cartridge 20 With Nut 2-Way	1306345	49227	99
Cartridge 40 With Nut 4-Way	1306355	49229	99
Coil With Spade Terminals	1306360	49230	97
6M O-Ring Street 90° Elbow Kit	1304238	56615	98
Blade Guide Kit Flag With S-Hook Only	1308215	59694	99
Wire Blade Guide with Flags and Hardware	1308210	59700	99
Cartridge 31 With Nut 3-Way	1306351	66608	99

WESTERN® SUBURBANITE

DESCRIPTION	BUYERS® PART NO.	WESTERN® PART NO.	PAGE
Hydraulic Hose 1/4 x 12 Inch With FJIC Ends	1304232	44347	96
Cartridge 20 With Nut 2-Way	1306345	49227	99
Cartridge 40 With Nut 4-Way	1306355	49229	99
Coil With Spade Terminals	1306360	49230	99
Hydraulic Hoses 1/4 x 22 Inch With FJIC Ends	1304233	56598	96
Hydraulic Hose 1/4 x 36 Inch With FJIC Ends	1304234	56599	96
6M O-Ring Street 90° Elbow Kit	1304238	56615	98
Hydraulic Hoses 1/4 x 8 Inch With FJIC Ends	1304231	56765	96
Cartridge 31 With Nut 3-Way	1306351	66608	99

WESTERN® ULTRAMOUNT HTS

DESCRIPTION	BUYERS® PART NO.	WESTERN® PART NO.	PAGE
Trip Spring	1302205	23039	96
Plunger with Spring	1304412	48523	97
Standard Shoe Assembly Casting	1303200C	49067	95
Cartridge 20 With Nut 2-Way	1306345	49227	99
Cartridge 40 With Nut 4-Way	1306355	49229	99
Coil With Spade Terminals	1306360	49230	99
6M O-Ring Street 90° Elbow Kit	1304238	56615	98
Blade Guide Kit Flag With S-Hook Only	1308215	59694	99
Wire Blade Guide with Flags and Hardware	1308210	59700	99
Shoe Spacer 1-1/2 Inch Long	1303210	60045	97
Back Drag Edge 7-1/2 Foot Straight Edge	1311211	64758	95
Cartridge 31 With Nut 3-Way	1306351	66608	99
Ultra Mount Plow Stand With Pin	1303206	67847	96
Eye Bolt With Nuts And Lock Washer	1302005	90493	96
Shoe Linch Pin	1303215	93010	97
3/4 x 3-1/2 Inch Rivet	1302225	93063	96

WESTERN® MIDWEIGHT

DESCRIPTION	BUYERS® PART NO.	WESTERN® PART NO.	PAGE
4-1/2 Inch Motor Tang Shaft	1306326	21500	100
Trip Spring	1302205	23039	96
Plunger with Spring	1304412	48523	97
Standard Shoe Assembly Casting	1303200C	49067	95
Heavy-Duty Shoe Assembly	1303220	49071	97
Cartridge 20 With Nut 2-Way	1306345	49227	99
Cartridge 40 With Nut 4-Way	1306355	49229	99
Coil With Spade Terminals	1306360	49230	99
Hydraulic Hose 3/8 x 36 Inch With FJIC Ends	1304249	49532	98
Hydraulic Hose 1/4 x 38 Inch	1304225	55020	98
Hydraulic Hose 1/4 x 38 Inch	1304226	55020	98
1-1/2 x 8 Inch Single Acting Lift Cylinder	1304201	56538	98
Hydraulic Hose 1/4 x 36 Inch With FJIC Ends	1304234	56599	96
6M O-Ring Street 90° Elbow Kit	1304238	56615	98
Hydraulic Hose 1/4 x 42 Inch With FJIC Ends	1304227	56616	98
Hydraulic Hose 1/4 x 16 Inch With FJIC Ends	1304229	56617	98
Blade Guide Kit Flag With S-Hook Only	1308215	59694	99
Wire Blade Guide with Flags and Hardware	1308210	59700	99
Shoe Spacer 1-1/2 Inch Long	1303210	60045	97
Shock Absorber	1304408	60338	96
Cartridge 31 With Nut 3-Way	1306351	66608	99
Pivot Bar With Hardware	1304420	67842	95
Ultra Mount Plow Stand With Pin	1303206	67847	96
Pivot Bar Hardware Kit	1304420HDW	67855	95
Receiver Driver Side	1304416	76722	95
Receiver Passenger Side	1304417	76718	95
Pivot Pin Driver Side	1304400	67974	95
Pivot Pin Passenger Side	1304401	67977	95
Eye Bolt With Nuts And Lock Washer	1302005	90493	96
Shoe Washer 1/8 Inch Thick	1303205	91109	97
Hairpin Cotter Pin 5/32 x 3 Inch	1302255	91965	96
Hairpin Cotter Pin 5/32 x 3-3/4 Inch	1302252	91965	96
Shoe Linch Pin	1303215	93010	97
3/4 x 3-1/2 Inch Rivet	1302225	93063	96

WESTERN
PLOW PARTS

REPLACEMENT PARTS FOR WESTERN® SNOWPLOWS



WESTERN® ULTRAMOUNT PRO PLOW

DESCRIPTION	BUYERS® PART NO.	WESTERN® PART NO.	PAGE
4-1/2 Inch Motor Tang Shaft	1306326	21500	100
Trip Spring	1302205	23039	96
Heavy-Duty Shoe Assembly	1303220	49071	97
Cartridge 20 With Nut 2-Way	1306345	49227	98
Cartridge 40 With Nut 4-Way	1306355	49229	98
Coil With Spade Terminals	1306360	49230	98
Solenoid Relay Cable for Hydraulic System	1306310	56131	100
1-1/2 x 8 Inch Single Acting Lift Cylinder	1304201	56538	98
1-1/2 x 10 Inch Single Acting Angling Cylinder	1304202	56614	98
6M O-Ring Street 90° Elbow Kit	1304238	56615	98
Hydraulic Hose 1/4 x 42 Inch With FJIC Ends	1304227	56616	98
Hydraulic Hose 1/4 x 16 Inch With FJIC Ends	1304229	56617	98
Blade Guide Kit Flag With S-Hook Only	1308215	59694	99
Wire Blade Guide with Flags and Hardware	1308210	59700	99
Shoe Spacer 1-1/2 Inch Long	1303210	60045	97
Shock Absorber	1304408	60338	96
Back Drag Edge 7-1/2 Foot Straight Edge	1311211	64758	95
Cartridge 31 With Nut 3-Way	1306351	66608	99
Back Drag Edge 8 Foot Straight Edge	1311212	66892	95
Back Drag Edge 9 Foot Straight Edge	1311214	66991	95
Back Drag Edge 8-1/2 Foot Straight Edge	1311213	66999	95
Pivot Bar With Hardware	1304420	67842	95
Ultra Mount Plow Stand With Pin	1303206	67847	96
Receiver Driver Side	1304416	76722	95
Receiver Passenger Side	1304417	76718	95
Pivot Pin Driver Side	1304400	67974	95
Pivot Pin Passenger Side	1304401	67977	95
Eye Bolt With Nuts And Lock Washer	1302005	90493	96
Shoe Washer 1/8 Inch Thick	1303205	91109	97
Hairpin Cotter Pin 5/32 x 3 Inch	1302255	91965	96
Hairpin Cotter Pin 5/32 x 3-3/4 Inch	1302252	91965	96
Shoe Linch Pin	1303215	93010	97
3/4 x 3-1/2 Inch Rivet	1302225	93063	96

WESTERN® ULTRAMOUNT 2 PRO PLOW 2

DESCRIPTION	BUYERS® PART NO.	WESTERN® PART NO.	PAGE
4-1/2 Inch Motor Tang Shaft	1306326	21500	100
Trip Spring	1302205	23039	96
Plunger with Spring	1304412	48523	97
Heavy-Duty Shoe Assembly	1303220	49071	97
Hydraulic Hose 3/8 x 36 Inch With FJIC Ends	1304249	49532	98
1-1/2 x 8 Inch Single Acting Lift Cylinder	1304201	56538	98
6M O-Ring Street 90° Elbow Kit	1304238	56615	98
Shoe Spacer 1-1/2 Inch Long	1303210	60045	97
Back Drag Edge 7-1/2 Foot Straight Edge	1311211	64758	95
Cartridge 31 With Nut 3-Way	1306351	66608	99
Back Drag Edge 8 Foot Straight Edge	1311212	66892	95
Back Drag Edge 9 Foot Straight Edge	1311214	66991	95
Back Drag Edge 8-1/2 Foot Straight Edge	1311213	66999	95
Pivot Bar With Hardware	1304420	67842	95
Ultra Mount Plow Stand With Pin	1303206	67847	96
Pivot Bar Hardware Kit	1304420HDW	67855	95
3/4 x 3-1/2 Inch Rivet	1302225	93063	96

WESTERN
PLOW PARTS



WESTERN® ULTRAMOUNT PRO PLUS

DESCRIPTION	BUYERS® PART NO.	WESTERN® PART NO.	PAGE
Trip Spring	1302205	23039	96
Slotted Pin Spring 1/4 x 2 Inch	1303207	26463	96
Heavy-Duty Shoe Assembly	1303220	49071	97
Blade Guide Kit Flag With S-Hook Only	1308215	59694	99
Wire Blade Guide with Flags and Hardware	1308210	59700	99
Back Drag Edge 7-1/2 Foot Straight Edge	1311211	64758	95
Back Drag Edge 8 Foot Straight Edge	1311212	66892	95
Back Drag Edge 9 Foot Straight Edge	1311214	66991	95
Back Drag Edge 8-1/2 Foot Straight Edge	1311213	66999	95
Pivot Bar With Hardware	1304420	67842	95
Ultra Mount Plow Stand With Pin	1303206	67847	96
Receiver Driver Side	1304416	76722	95
Receiver Passenger Side	1304417	76718	95
Eye Bolt With Nuts And Lock Washer	1302005	90493	96
Hairpin Cotter Pin 5/32 x 3 Inch	1302255	91965	96
Hairpin Cotter Pin 5/32 x 3-3/4 Inch	1302252	91965	96
3/4 x 4 Inch Rivet	1302220	93061	96
3/4 x 3-1/2 Inch Rivet	1302225	93063	96

WESTERN® ULTRAMOUNT 2 PRO PLUS

DESCRIPTION	BUYERS® PART NO.	WESTERN® PART NO.	PAGE
4-1/2 Inch Motor Tang Shaft	1306326	21500	100
Trip Spring	1302205	23039	96
Plunger with Spring	1304412	48523	97
Heavy-Duty Shoe Assembly	1303220	49071	97
Cartridge 20 With Nut 2-Way	1306345	49227	99
Cartridge 40 With Nut 4-Way	1306355	49229	99
Coil With Spade Terminals	1306360	49230	99
Hydraulic Hose 3/8 x 36 Inch With FJIC Ends	1304249	49532	98
1-1/2 x 8 Inch Single Acting Lift Cylinder	1304201	56538	98
6M O-Ring Street 90° Elbow Kit	1304238	56615	98
Shoe Spacer 1-1/2 Inch Long	1303210	60045	97
Orange Blade Guide Kit With Reflective Decal	1308205	62595	99
1-1/2 x 12 Inch Single Acting Lift Cylinder	1304203	64148	98
Back Drag Edge 7-1/2 Foot Straight Edge	1311211	64758	95
Cartridge 31 With Nut 3-Way	1306351	66608	99
Back Drag Edge 8 Foot Straight Edge	1311212	66892	95
Back Drag Edge 9 Foot Straight Edge	1311214	66991	95
Back Drag Edge 8-1/2 Foot Straight Edge	1311213	66999	95
Pivot Bar With Hardware	1304420	67842	95
Ultra Mount Plow Stand With Pin	1303206	67847	96
Pivot Bar Hardware Kit	1304420HDW	67855	95
Shoe Linch Pin	1303215	93010	97
3/4 x 3-1/2 Inch Rivet	1302225	93063	96

WESTERN
PLOW PARTS

REPLACEMENT PARTS FOR WESTERN® SNOWPLOWS



WESTERN® ULTRAMOUNT MVP

DESCRIPTION	BUYERS® PART NO.	WESTERN® PART NO.	PAGE
Back Drag Edge 8-1/2 Foot V-Plow-	1311216	44282	95
Back Drag Edge 9-1/2 Foot V-Plow-	1311217	44283	95
Cutting Edge Half V-Plow 1/2 x 6 x 46-13/16 Inch	1311204	44898	95
Cutting Edge Half V-Plow 1/2 x 6 x 34-13/16 Inch	1311202	44996	95
Cutting Edge Half V-Plow 1/2 x 6 x 40-13/16 Inch	1311203	44997	95
1-1/2 x 8 Inch Single Acting Lift Cylinder	1304201	56538	98
6M O-Ring Street 90° Elbow Kit	1304238	56615	98
Hydraulic Hose 1/4 x 42 Inch With FJIC Ends	1304227	56616	98
Hydraulic Hose 1/4 x 16 Inch With FJIC Ends	1304229	56617	98
2 x 11 Inch Double Acting Lift Cylinder	1304204	56750	98
Orange Blade Guide Kit With Reflective Decal	1308205	62595	99
Shoe Assembly Casting	1303230	62637	97
V-Plow Center Edge - Flap Mounting Plate Passenger Side	1304403	63509	94
V-Plow Center Edge - Flap Mounting Plate Drivers Side	1304402	63510	94
Cutting Edge Half V-Plow 1/2 x 6 x 55-15/16 Inch	1311201	63678	94
Pivot Bar With Hardware	1304420	67842	95
Ultra Mount Plow Stand With Pin	1303206	67847	98
Receiver Driver Side	1304416	76722	95
Receiver Passenger Side	1304417	76718	95
Pivot Pin Driver Side	1304400	67974	95
Pivot Pin Passenger Side	1304401	67977	95
Shoe Washer 1/8 Inch Thick	1303205	91109	97
Hairpin Cotter Pin 5/32 x 3 Inch	1302255	91965	96
Hairpin Cotter Pin 5/32 x 3-3/4 Inch	1302252	91965	96
Shoe Linch Pin	1303215	93010	97
3/4 x 3-1/2 Inch Rivet	1302225	93063	96
1 x 4 Inch Anchor Pin With Cotter	1302325	93077	96

WESTERN® ULTRAMOUNT 2 MVP3

DESCRIPTION	BUYERS® PART NO.	WESTERN® PART NO.	PAGE
4-1/2 Inch Motor Tang Shaft	1306326	21500	100
Back Drag Edge 8-1/2 Foot V-Plow-	1311216	44282	93
Back Drag Edge 9-1/2 Foot V-Plow-	1311217	44283	93
Hydraulic Hoses 3/8 x 45 Inch With FJIC Ends	1304237	44350	96
Hydraulic Hose 3/8 x 38 Inch With FJIC Ends	1304236	44351	96
V-Plow Steel Cutting Edge - Center Passenger Side	1311206	44890	92
V-Plow Steel Cutting Edge - Center Drivers Side	1311207	44891	92
V-Plow Steel Cutting Edge Kit - Centers	1311208	44894	92
Cutting Edge Half V-Plow 1/2 x 6 x 46-13/16 Inch	1311204	44898	92
Cutting Edge Half V-Plow 1/2 x 6 x 34-13/16 Inch	1311202	44996	92
Cutting Edge Half V-Plow 1/2 x 6 x 40-13/16 Inch	1311203	44997	92
Plunger with Spring	1304412	48523	95
Cartridge 20 With Nut 2-Way	1306345	49227	97
Coil With Spade Terminals	1306360	49230	97
1-1/2 x 8 Inch Single Acting Lift Cylinder	1304201	56538	96
Hydraulic Hose 1/4 x 36 Inch With FJIC Ends	1304234	56599	90
6M O-Ring Street 90° Elbow Kit	1304238	56615	96
Hydraulic Hose 1/4 x 42 Inch With FJIC Ends	1304227	56616	96
Orange Blade Guide Kit With Reflective Decal	1308205	62595	97
V-Plow Center Edge - Center Flap Kit With Hardware	1304410	62636	92
Pivot Bar With Hardware	1304420	67842	93
Ultra Mount Plow Stand With Pin	1303206	67847	96
Pivot Bar Hardware Kit	1304420HDW	67855	93
Receiver Driver Side	1304416	76722	93
Receiver Passenger Side	1304417	76718	93
Hairpin Cotter Pin 5/32 x 3 Inch	1302255	91965	94
Hairpin Cotter Pin 5/32 x 3-3/4 Inch	1302252	91965	94
3/4 x 3-1/2 Inch Rivet	1302225	93063	94

WESTERN
PLOW PARTS

WESTERN® ULTRAMOUNT PRODIGY

DESCRIPTION	BUYERS® PART NO.	WESTERN® PART NO.	PAGE
4-1/2 Inch Motor Tang Shaft	1306326	21500	100
3/4 x 4 Inch Rivet	1302220	93061	94



RETAIL PACKAGED FOR CONVENIENT RETAIL DISPLAY

WESTERN® ULTRAMOUNT 2 PRODIGY

DESCRIPTION	BUYERS® PART NO.	WESTERN® PART NO.	PAGE
4-1/2 Inch Motor Tang Shaft	1306326	21500	100
Trip Spring	1302205	23039	94
Plunger with Spring	1304412	48523	95
Cartridge 20 With Nut 2-Way	1306345	49227	97
Hydraulic Hose 3/8 x 36 Inch With FJIC Ends	1304249	49532	96
1-1/2 x 8 Inch Single Acting Lift Cylinder	1304201	56538	96
6M O-Ring Street 90° Elbow Kit	1304238	56615	96
Orange Blade Guide Kit With Reflective Decal	1308205	62595	97
Pivot Bar With Hardware	1304420	67842	93
Ultra Mount Plow Stand With Pin	1303206	67847	96
Pivot Bar Hardware Kit	1304420HWD	67855	93
Hairpin Cotter Pin 5/32 x 3 Inch	1302255	91965	94
Hairpin Cotter Pin 5/32 x 3-3/4 Inch	1302252	91965	94
3/4 x 3-1/2 Inch Rivet	1302225	93063	94

WESTERN® ULTRAMOUNT WIDEOUT

DESCRIPTION	BUYERS® PART NO.	WESTERN® PART NO.	PAGE
4-1/2 Inch Motor Tang Shaft	1306326	21500	100
Trip Spring	1302205	23039	94
Cartridge 20 With Nut 2-Way	1306345	49227	97
1-1/2 x 8 Inch Single Acting Lift Cylinder	1304201	56538	96
Hydraulic Hose 1/4 x 42 Inch With FJIC Ends	1304227	56616	96
Pivot Bar With Hardware	1304420	67842	93
Ultra Mount Plow Stand With Pin	1303206	67847	96
Receiver Driver Side	1304416	76722	93
Receiver Passenger Side	1304417	76718	93
Eye Bolt With Nuts And Lock Washer	1302005	90493	94
Hairpin Cotter Pin 5/32 x 3 Inch	1302255	91965	94
Hairpin Cotter Pin 5/32 x 3-3/4 Inch	1302252	91965	94
3/4 x 3-1/2 Inch Rivet	1302225	93063	94

WESTERN® CONVENTIONAL PRO

DESCRIPTION	BUYERS® PART NO.	WESTERN® PART NO.	PAGE
Trip Spring	1302205	23039	94
Packing Set 1-1/2 Inch Ram	1305200	25205	98
1/4 Inch Hex Nipple	1304230	25519	98
Heavy-Duty Shoe Assembly	1303220	49071	95
Hydraulic Hose 1/4 x 38 Inch	1304225	55020	96
Hydraulic Hose 1/4 x 38 Inch	1304226	55020	96
1-1/2 x 10 Inch Power Angling Cylinder New Style	1304205	56102	96
Blade Guide Kit Flag With S-Hook Only	1308215	59694	99
Wire Blade Guide with Flags and Hardware	1308210	59700	99
Shock Absorber	1304408	60338	96
Shoe Washer 1/8 Inch Thick	1303205	91109	97
1/4 Inch Street 90° Elbow	1304235	92210	98
1/4 Inch Male 90° Elbow Short	1304240	92278	98
Hitch Pin With Hairpin Cotter	1302245	93028	96
3/4 x 3-1/2 Inch Rivet	1302225	93063	96

WESTERN® HEAVYWEIGHT

DESCRIPTION	BUYERS® PART NO.	WESTERN® PART NO.	PAGE
Trip Spring	1302205	23039	96
Packing Set 1-1/2 Inch Ram	1305200	25205	98
4-1/2 Inch Motor Gasket	1306375	25861	101
2 x 16 Inch Heavy-Duty Angling Cylinder	1304220	25878	96
Packing Nut 1-1/2 Inch Ram	1305211	25944	96
Heavy-Duty Shoe Assembly	1303220	49071	97
Pump Unit Kit	1306478	49211	101
Cartridge 20 With Nut 2-Way	1306345	49227	99
Cartridge 30 With Nut 3-Way	1306350	49228	99
Cartridge 40 With Nut 4-Way	1306355	49229	99
Coil With Spade Terminals	1306360	49230	99
Hydraulic Hose 1/4 x 38 Inch	1304225	55020	98
Hydraulic Hose 1/4 x 38 Inch	1304226	55020	98
4-1/2 Inch Style Motor Concealed Shaft	1306325	56133	100
Pump Unit Filter	1306490	56185	101
Shoe Spacer 1-1/2 Inch Long	1303210	60045	97
Shock Absorber	1304408	60338	96
Hairpin Cotter Pin 5/32 x 3 Inch	1302255	91965	96
Hairpin Cotter Pin 5/32 x 3-3/4 Inch	1302252	91965	96
1/4 Inch Street 90° Elbow	1304235	92210	98
Shoe Linch Pin	1303215	93010	97
Hitch Pin With Hairpin Cotter	1302245	93028	96
1 x 4 Inch Anchor Pin With Cotter	1302325	93077	96
1 x 5 Inch Rivet	1302240	93080	96

WESTERN
PLOW PARTS

REPLACEMENT PARTS FOR WESTERN® SNOWPLOWS



WESTERN® STANDARD

DESCRIPTION	BUYERS® PART NO.	WESTERN® PART NO.	PAGE
Trip Spring	1302205	23039	96
Packing Set 1-1/2 Inch Ram	1305200	25205	98
1/4 Inch Hex Nipple	1304230	25519	98
Cutting Edge 3/8 x 6 x 78 Inch-High Carbon Steel	1301200	49066	94
Standard Shoe Assembly Casting	1303200C	49067	94
Cutting Edge 3/8 x 6 x 84 Inch-High Carbon Steel	1301210	49070	94
Cutting Edge 3/8 x 6 x 90 Inch-High Carbon Steel	1301215	49088	94
Hydraulic Hose 1/4 x 38 Inch	1304225	55020	98
Hydraulic Hose 1/4 x 38 Inch	1304226	55020	98
1-1/2 x 10 Inch Power Angling Cylinder New Style	1304205	56102	98
Blade Guide Kit Flag With S-Hook Only	1308215	59694	99
Wire Blade Guide with Flags and Hardware	1308210	59700	99
Eye Bolt With Nuts And Lock Washer	1302005	90493	96
Shoe Washer 1/8 Inch Thick	1303205	91109	97
Hairpin Cotter Pin 5/32 x 3 Inch	1302255	91965	96
Hairpin Cotter Pin 5/32 x 3-3/4 Inch	1302252	91965	96
1/4 Inch Street 90° Elbow	1304235	92210	98
1/4 Inch Male 90° Elbow Short	1304240	92278	99
Shoe Linch Pin	1303215	93010	97
Hitch Pin With Hairpin Cotter	1302245	93028	96
3/4 x 3-1/2 Inch Rivet	1302225	93063	96

WESTERN® UNIMOUNT

DESCRIPTION	BUYERS® PART NO.	WESTERN® PART NO.	PAGE
Trip Spring	1302205	23039	96
Packing Set 1-1/2 Inch Ram	1305200	25205	98
Heavy-Duty Shoe Assembly	1303220	49071	97
1-1/2 x 10 Inch Power Angling Cylinder New Style	1304205	56102	98
Blade Guide Kit Flag With S-Hook Only	1308215	59694	99
Wire Blade Guide with Flags and Hardware	1308210	59700	99
Shock Absorber	1304408	60338	96
Uni-Mount Plow Stand	1303203	61353	96
Eye Bolt With Nuts And Lock Washer	1302005	90493	96
Shoe Washer 1/8 Inch Thick	1303205	91109	97
Hairpin Cotter Pin 5/32 x 3 Inch	1302255	91965	96
Hairpin Cotter Pin 5/32 x 3-3/4 Inch	1302252	91965	96
Shoe Linch Pin	1303215	93010	97
Hitch Pin With Hairpin Cotter	1302245	93028	96
1/2 x 5-1/2 Inch Hitch Pin	1302247	93033	96
Lock Pin Plow Stand	1303204	93034	96
3/4 x 3-1/2 Inch Rivet	1302225	93063	96

WESTERN
PLOW PARTS





CUTTING EDGES - CONVENTIONAL

PART NO.	DESCRIPTION	OEM PART NO.
1301245*	3/8" x 6" x 72"	58811
1301250*	3/8" x 6" x 78"	58812
1301255*	3/8" x 6" x 84"	58813
1301260*	3/8" x 6" x 90"	58814/23939
1301265*	1/2" x 6" x 96"	458815
1301220*	3/8" x 6" x 96"	49080/60396
1301270*	1/2" x 6" x 102"	58816

See pgs. 148-151 for detailed dimensions.

*Center Punched, Reversible Edges (Old Style)

CUTTING EDGES - PRO PLOW

PART NO.	DESCRIPTION	OEM PART NO.
1301215	3/8" x 6" x 90"	49088/60387
1301230	1/2" x 6" x 90"	49346/62489
1301235	1/2" x 6" x 96"	49347/49089/62494
1301225	1/2" x 6" x 102"	49348/62495
1301240	1/2" x 6" x 108"	49349/62496

CUTTING EDGES - STANDARD, POLY PRO

PART NO.	DESCRIPTION	OEM PART NO.
1301200	3/8" x 6" x 78", Standard	49066/60119
1301210	3/8" x 6" x 84", Standard	49070/60128
1301290	3/8" x 6" x 90", Standard/Poly Pro	49312/62119
1301292	1/2" x 6" x 90", Poly Pro	49350/62497
1301291	3/8" x 6" x 96", Poly Pro	49328/62413
1301293	1/2" x 6" x 96", Poly Pro	49351/62498

CUTTING EDGES - PRO PLUS/WIDEOUT

PART NO.	DESCRIPTION	OEM PART NO.
1301294	1/2" x 6" x 90", Pro Plus, Wide Out	64775/48762
1301295	1/2" x 6" x 96", Pro Plus, Wide Out XL	63980/48761
1301296	1/2" x 6" x 102", Pro Plus	63985/48763
1301297	1/2" x 6" x 108", Pro Plus, Pro Plus HD	63990/48764

CUTTING EDGES - UNIMOUNT HEAVYWEIGHT

PART NO.	DESCRIPTION	OEM PART NO.
1301275	1/2" x 6" x 108"	58817/23854
1301280	1/2" x 6" x 120"	58818/58500
1301281	5/8" x 6" x 120"	58818*/58500*

*No direct OEM Part Number, Extra Thick Version of Number Listed

STEEL CUTTING EDGES, V-PLOW



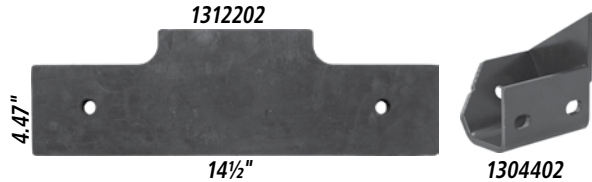
PART NO.	DESCRIPTION	OEM PART NO.
1311202	1/2" x 6" x 34.81", Half (for MVPP 7-1/2')	44996
1311203	1/2" x 6" x 40.81", Half (for MVPP 8-1/2')	44997
1311204	1/2" x 6" x 46.81", Half (for MVPP 9-1/2')	44898
1311200	1/2" x 6" x 49.94", Half (for MVP 8-1/2')	28407
1311201	1/2" x 6" x 55.94", Half (for MVP 9-1/2')	63678
1311220	5/8" x 6" x 40.81", Half (for MVP Plus/XV)	44997
1311221	5/8" x 6" x 46.81", Half (for MVP Plus/XV)	44898

CUTTING EDGE WING, URETHANE



PART NO.	DESCRIPTION	OEM PART NO.
1304466	Urethane Cutting Edge, Wide-out Plow	50645

V-PLOW CENTER EDGES, STEEL & RUBBER



PART NO.	DESCRIPTION	OEM PART NO.
1311206	Cutting Edge, Center, PS, Steel, MVP	44890
1311207	Cutting Edge, Center, DS, Steel, MVP	44891
1311208	Cutting Edge Kit, Centers, Steel, MVP	44894
1312202	Rubber Cutting Edge, MVP	63508
1304402	Flap Mounting Plate DS, MVP	63510
1304403	Flap Mounting Plate PS, MVP	63509
1304410	Center Flap Kit w/ hdw, MVP (Kit includes 1312202, 1304402, 1304403)	62636

CUTTING EDGES, RUBBER



PART NO.	DESCRIPTION	OEM PART NO.
1312105	1" x 6" x 78", 6-1/2' Standard	608261
1312110	1-1/2" x 8" x 84", 7' Standard	608262
1312115	1-1/2" x 8" x 90", 7-1/2' Standard	608263
1312120	1-1/2" x 8" x 96", 8' Standard	608291
1312125	1-1/2" x 8" x 102", 8-1/2' Standard	608292
1312130	1-1/2" x 10" x 108", 9' Standard	608321
1312135	1-1/2" x 10" x 120", 10' Standard	608323

All Rubber Cutting Edges - Call for Pricing

REPLACEMENT PARTS FOR WESTERN® SNOWPLOWS

BACK DRAGS



Straight Edge Back Drags



V-Plow Back Drags

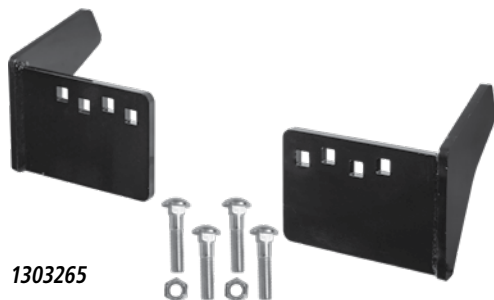
PART NO.	DESCRIPTION	OEM PART NO.
1311211	Back Drag, Straight Edge, 7-1/2'	64758
1311212	Back Drag, Straight Edge, 8'	66892
1311213	Back Drag, Straight Edge, 8-1/2'	66999
1311214	Back Drag, Straight Edge, 9'	66991
1311216	Back Drag, V-Plow, 8-1/2'	44282-2
1311217	Back Drag, V-Plow, 9-1/2'	44283-2

CUTTING EDGE NUTS & BOLTS



PART NO.	DESCRIPTION
1301061	1/2" x 2" Set of 10
1301065	5/8" x 2-1/2" Set of 12

WEAR/CURB GUARD, KIT



1303265

PART NO.	DESCRIPTION	OEM PART NO.
1303265	Wear/Curb Guard Kit, Includes DS and PS with Hardware	43885
1303266	DS Only Wear/Curb Guard, Includes Hardware	43896 / 44421
1303267	PS Only Wear/Curb Guard, Includes Hardware	43897 / 44421

WEAR/CURB GUARD, SINGLE



PART NO.	DESCRIPTION	OEM PART NO.
1303270	Curb Guard, Single, 1/2"	44403
1303275	Curb Guard, Single, 5/8"	44404

SNOW CONTROL



PART NO.	DESCRIPTION	OEM PART NO.
1304440	Snow Control	438118
1304441	Deflector, Center Cap	44570

NEW

PIVOT BAR



PART NO.	DESCRIPTION	OEM PART NO.
1304420	Pivot Bar Kit	67842
1304420HDW	Hardware Kit	67855

PIVOT PINS



1304400



1304401

PART NO.	DESCRIPTION	OEM PART NO.
1304400	Pivot Pin, DS	67974
1304401	Pivot Pin, PS	67977

RECEIVERS



1304417



1304416

PART NO.	DESCRIPTION	OEM PART NO.
1304416	Receiver, DS	76722
1304417	Receiver, PS	76718

WESTERN
PLOW PARTS



REPLACEMENT PARTS FOR WESTERN® SNOWPLOWS

SHOE KIT FOR STANDARD/HTS



1303200C

PART NO.	DESCRIPTION	OEM PART NO.
1303200C	Standard Shoe Assembly	49067
1303205	Shoe Washer, 1/8" Thick	91109
1303210	Shoe Spacer, 1-1/2" Long	60045
1303215	Linch Pin	93010
1303230	Shoe Assembly, Casting	62637

HEAVY DUTY SHOE KIT FOR HD/PRO-PLUS/PRO-PLOW



1303220

PART NO.	DESCRIPTION	OEM PART NO.
1303220	Heavy-Duty Shoe Assembly	49071

SHOE ASSEMBLY KIT FOR MVP3 PLOW



1303245



1303250

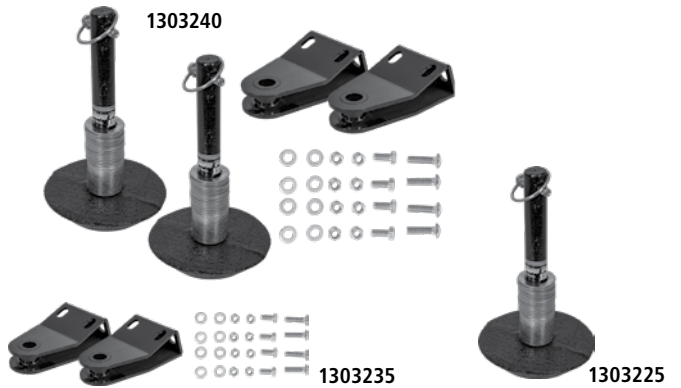
PART NO.	DESCRIPTION	OEM PART NO.
1303245	Shoe Assembly, V-Plow	50695
1303250	Shoe Assembly Kit, V-Plow, with Hardware	50700

HEAVY DUTY SHOE KIT FOR DEFENDER



PART NO.	DESCRIPTION	OEM PART NO.
1303255	Shoe Kit with Brackets and Hardware, Defender	83845

HEAVY DUTY SHOE ASSEMBLY KIT AND PARTS FOR MVP PLUS/WIDEOUT



PART NO.	DESCRIPTION	OEM PART NO.
1303225	Shoe Assembly, Defender/ MVP Plus/Wideout	53595
1303235	Brackets and Hardware for 1303240	44728
1303240	Shoe Kit with Brackets and Hardware for MVP Plus/ Wideout	44277-1

PLOW STAND ASSEMBLY FOR ULTRAMOUNT™



1304413



1304414

PART NO.	DESCRIPTION	OEM PART NO.
1304413	Plow Stand Assy., Drivers Side	67845 / 72617
1304414	Plow Stand Assy., Passengers Side	67846 / 72617

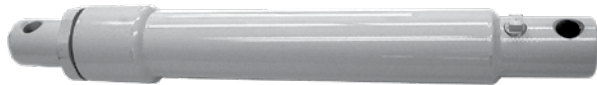
STAND LOCK PIN



PART NO.	DESCRIPTION	OEM PART NO.
1304415	Stand Lock Pin	67844

WESTERN PLOW PARTS

POWER ANGLING & LIFT CYLINDERS



1304200

PART NO.	DESCRIPTION	OEM PART NO.
1304200	1½" x 10" Old Style (1" PH), Angle	25209
1304201	1½" x 8" Single Acting, Lift	56538K
1304202	1½" x 10" Single Acting, Angle	56614
1304203	1½" x 12" Single Acting, Angle	64148
1304204	2" x 11" Double Acting, Angle	56750
1304205	1½" x 10" New Style (¾" PH), Angle	56102
1304206	1-1/2"x10", Angle	49460
1304217	2" x 10" Double Acting for V-Plow, Angle	56709W
1304210	1½" x 6, Lift	25200
1304215	2" x 6", Lift	25210
1304218	1-3/4" x 11", Angle	44341
1304220	2" x 16" Heavy-Duty, Angle	25878

Cylinder pictured is for reference only. Actual cylinder style may vary. See pg. 152 for detailed dimensions

PACKING SETS & PACKING NUTS FOR CYLINDERS



PART NO.	DESCRIPTION	OEM PART NO.
1305200	Packing Set, 1-1/2"	25205K
1305211	Packing Nut, 1-1/2"	25944K

ANGLE HOSE REPLACEMENT KIT



PART NO.	DESCRIPTION	OEM PART NO.
1304260	Kit includes: Two 38" Hoses, Two Swivel Elbows, Two Quick Couplers, Two Street Elbows, 90°	55021

HYDRAULIC HOSES



PART NO.	DESCRIPTION	OEM PART NO.
1304225	1/4" x 38"	55020
1304227	1/4" x 42" w/ FJIC ends	56616
1304229	1/4" x 16" w/ FJIC ends	56617
1304231	1/4" x 8" w/ FJIC ends	56765
1304232	1/4" x 12" w/ FJIC ends	44347
1304233	1/4" x 22" w/ FJIC ends	56598/ 56830
1304234	1/4" x 36" w/ FJIC ends	56831-1
1304249	3/8" x 36" w/FJIC ends	49532
1304236	3/8" x 38" w/ FJIC ends	44351
1304237	3/8" x 45" w/ FJIC ends	44350
1304261	3/8" x 32" w/FJIC ends	49469
1304263	3/8" x 42" w/ FJIC ends	49496
1304264	3/8" x 67" w/ FJIC ends	49467

PART NO.	DESCRIPTION	OEM PART NO.
1304226	1/4" x 38" bulk -100/bx	55020

STREET ELBOWS



PART NO.	DESCRIPTION	OEM PART NO.
1304235	Street Elbow, 1/4" x 90°	92210
1304238	Elbow Kit, 90° - 6M O-Ring	56615
1304250	Street Elbow, 1/4" x 90° (Special)	92208

HEX NIPPLE



PART NO.	DESCRIPTION	OEM PART NO.
1304230	Hex Nipple, 1/4"	25519

REPLACEMENT PARTS FOR WESTERN® SNOWPLOWS

MALE ELBOWS



1304240



1304245

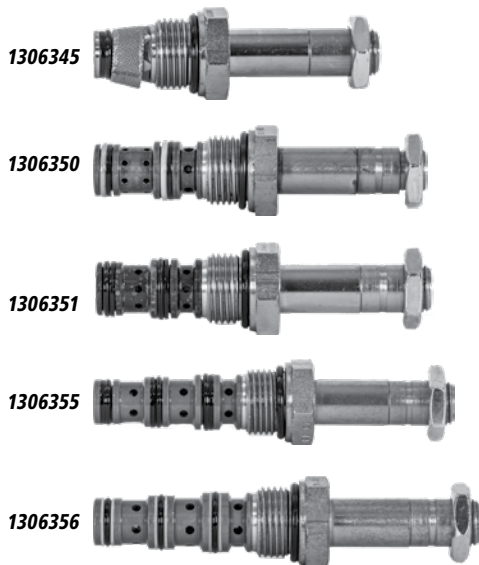
PART NO.	DESCRIPTION	OEM PART NO.
1304240	Male Elbow, 1/4" x 90°	92278
1304245	Male Elbow, 1/4" x 90° (Special)	92275

HYDRAULIC QUICK COUPLER 1/4"



PART NO.	DESCRIPTION	OEM PART NO.
1304025	1/4" Quick Coupler	25232
1304026	1/4" Quick Coupler, Bulk, 100pc Box	15072

CARTRIDGES



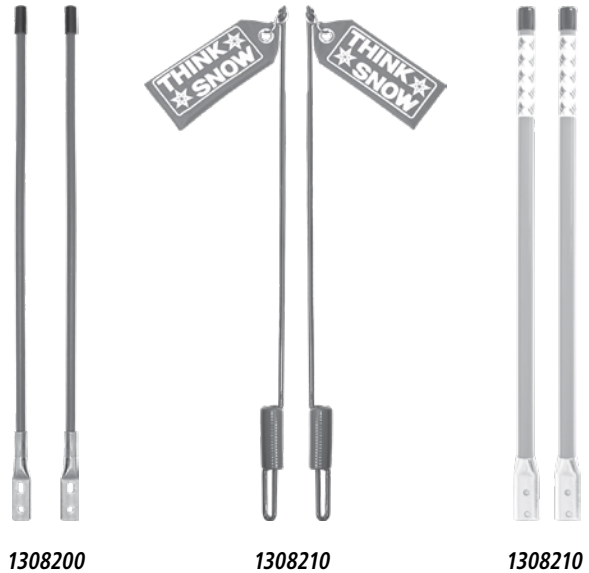
PART NO.	DESCRIPTION	OEM PART NO.
1306345	Cartridge 20 w/Nut 2-way	49227
1306350	Cartridge 30 w/Nut 3-way	49228
1306351	Cartridge 31 w/Nut 3-way	66608
1306355	Cartridge 40 w/Nut 4-way	49229
1306356	Cartridge 43 w/Nut 4-way	66783

COIL WITH SPADE TERMINALS



PART NO.	DESCRIPTION	OEM PART NO.
1306360	Coil With Spade Terminals	49230

BLADE GUIDES & REPLACEMENT TIPS



PART NO.	DESCRIPTION	OEM PART NO.
1308200	Blade Guide Kit, Red, 27"	62265
1308010	Replacement Tips, (bag of 100)	—
1308210	Blade Guide Kit w/ Flags	59700
1308215	Flag w/ S-Hook Only	59694
1308205	Blade Guide Kit, 24" Fluorescent Orange	62595



WESTERN
PLOW PARTS

MOTOR SOLENOIDS



1306300
• Intermittent duty
• 100 Amp



1306317
• Continuous duty
• 150 Amp
• Works on UltraMount® II, MVP, MVP Plus & MVP Wideout



1306310
• Continuous duty
• 100 Amp



1306318
• Fleet Flex system

PART NO. DESCRIPTION

1306300	Motor Solenoid, Cable
1306318	Motor Solenoid Kit, "Fleet Flex"

PART NO. DESCRIPTION OEM PART NO.

1306310	Relay-Cable Hyd. System	56131K
1306317	Relay-Solenoid Hyd. System	56131K-1

4½" REPLACEMENT FOR OLD STYLE 4" & 4½" MOTORS

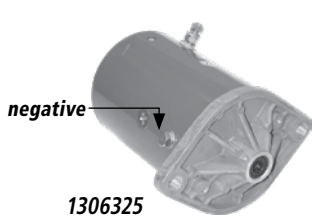
- Counterclockwise
- 200 Amp
- 2550 RPM
- Exposed shaft



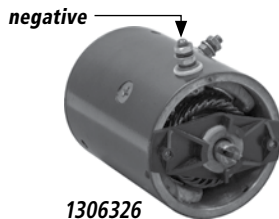
PART NO. DESCRIPTION OEM PART NO.

1306320	4½" Replacement for Old Style 4" & 4½" Motors	25556A
---------	---	--------

4½" STYLE MOTOR



1306325



1306326

PART NO. DESCRIPTION OEM PART NO.

1306325	4½" Motor (concealed shaft)	56133 56058 56062
1306326	4½" Motor, Tang Shaft	21500
1306375	Motor Gasket	25861

STRAIGHT BLADE PLOW CONTROLLER

- Pre-programmed for straight blades
- Integral diagnostics for easy field troubleshooting
- Easy-grip hand-held design
- Large buttons for ease of use
- Smart output channels prevent failure in case of overload or short circuit.
- 6 Pin



PART NO. DESCRIPTION OEM PART NO.

1306902	Snowplow hand controller for Western Straight Blades, red faceplate	56462
---------	---	-------

PLOW CONTROLLERS



1306942



1306944



1306946

PART NO. DESCRIPTION OEM PART NO.

1306942	Western Straight blade, 4 pin MultiPlex	96900
1306944	Western VEE blade, 4 pin MultiPlex	96600
1306946	Western EXP blade, 4 pin MultiPlex	96500

CONTROL CABLES



Old Style



New Style



Adjustable

PART NO. DESCRIPTION OEM PART NO.

1313005	Control Cable, Old Style	55363
1313010	Control Cable, New Style	56035
1313015	Control Cable, Adjustable	56130

CONTROL ASSEMBLY



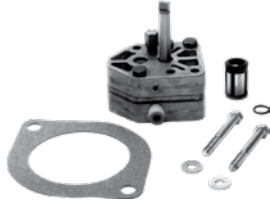
1314000

PART NO. DESCRIPTION OEM PART NO.

1314000	Control Assy. Kit, includes cables	56018
1314001	Control Assy., Shifter only	—
1314002	Knob & Lever Assy.	49016
1314003	Lockspool	49017
1314005	Contact Strip, Copper Band	56026
1314007	Bottom Cover	56028

REPLACEMENT PARTS FOR WESTERN® SNOWPLOWS

PUMP UNIT



PART NO.	DESCRIPTION	OEM PART NO.
1306478	Pump Kit, 4 bolt - Includes Pump, Gasket, Filter, O-Ring	49211
1306375	Gasket	25861
1306490	Filter	56185

PLOW & VEHICLE HARNESS REPAIR KITS



1315310

1315315

PART NO.	DESCRIPTION	OEM PART NO.
1315310	Male, 9 Pin Plow Harness Repair Kit	49317
1315315	Female, 9 Pin Vehicle Harness, Repair Kit	49308

POWER CABLES

- 4 gauge wire



PART NO.	DESCRIPTION	OEM PART NO.
1306330	Ground Cable, 60" Black	55984
1306335	Battery Cable, 60" Red	25635
1306340	Battery Cable, 22" Red	22511

BATTERY CONNECTOR



PART NO.	DESCRIPTION
1306095	Side Port Battery Adapter

LOW-TEMPERATURE BLUE HYDRAULIC FLUID

- Rated at -50°

1307005



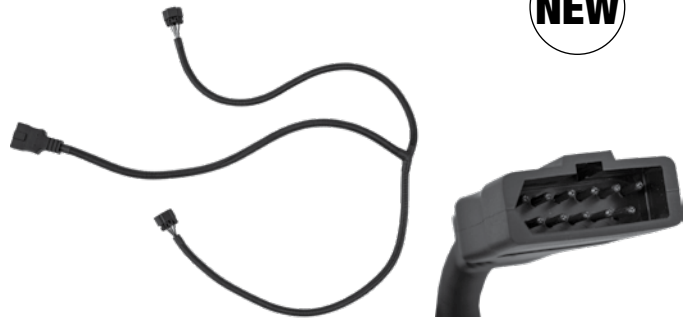
1307014



PART NO.	DESCRIPTION
1307005	1 Quart Bottle
1307010	1 Case (12 Quarts)
1307014	1 Case (4 Individual Gal.)
1307015	5-Gallon Pail w/Spout
1307020	55-Gallon Drum

LIGHTING ADAPTER

NEW



PART NO.	DESCRIPTION	OEM PART NO.
1311820	Western® to SAM 5-PIN	-

See Page 126 for Plug and Play Western® Lighting

UNDER-THE-SEAT EMERGENCY REPAIR KIT

Contains the most frequently used on-the-job repair parts. Avoid long waits and afterhour downtime. Kit is packaged in a sturdy polyethylene box designed for under-the-seat storage.

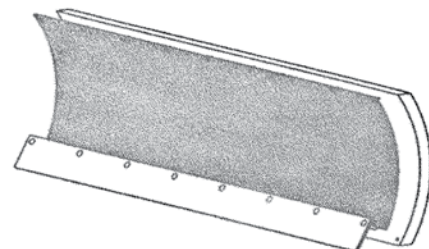


PART NO.	DESCRIPTION
1302297	Emergency Kit for Western®

REPAIR KIT CONTAINS:

QTY	PART NO.	DESCRIPTION	OEM PART NO.
1	1302205	Trip Spring	23039
1	1306317	Motor Relay (Solenoid)	56131K-1
1	1304227	Hose w/FJIC ends, 1/4" x 42"	56616-1
1	1304229	Hose w/FJIC ends, 1/4" x 16"	56617
1	1304238	Elbow kit, 90°-6M O-Ring/MJIC	56615-1
1	1302005	Eyebolt w/ Nuts	90493K
1	1302252	Cotter, Hairpin, 5/32" x 3 3/4"	91965K
1	-	Clevis Pin, 3/4" x 3-1/2"	93063K
2	-	Carriage Bolts, 1/2"-13 x 1 3/4"	90238
2	-	Hex Locknut, 1/2"-13	91335

POLY PLOW SHIELD

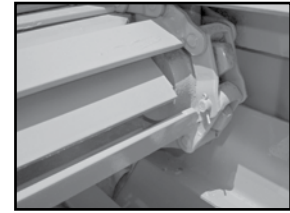
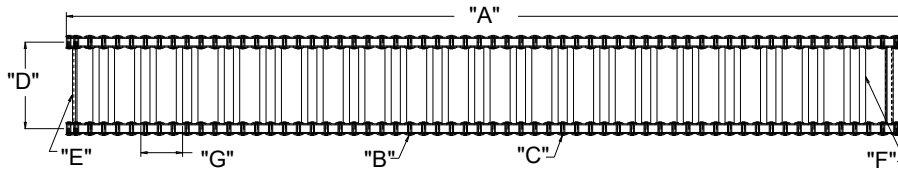


PART NO.	DESCRIPTION
1310220	Red Plow Shield, 28" x 96"



HOPPER SPREADER REPLACEMENT CHAINS

CONVEYOR CHAIN REPLACEMENT FOR HOPPER SPREADERS



SPREADER PARTS

PART NO.	BRAND	MODEL	OEM PART NO.	(A) CHAIN LENGTH/ (B) CHAIN LINKS	(C) PITCH NO.	(D) CENTER TO CENTER	(E) BAR QTY.	(F) CROSS BAR DIM.	(G) BAR SPACING	WT (LBS.)
1450111	Air-Flo	PSV-8E/PS-9	40142/40155	8'/126	662	9-3/4"	41	3/4" x 1/4"	5"	70
1450110	Air-Flo	PS-8	40012/40014	8'/123	662	10-1/2"	41	3/4" x 1/4"	5"	53
1450120	Air-Flo	PS-10E	40092	10'/154	662	10-1/2"	51	3/4" x 1/4"	5"	87
1450150	Air-Flo	AF-24D	60065	10'/114	667X	20-1/2"	57	1-1/2" x 3/8"	4 1/2"	266
1450155	Air-Flo	AF-24D	60067	12'/138	667X	20-1/2"	69	1-1/2" x 3/8"	4 1/2"	319
1450160	Air-Flo	AF-24D	60069	14'/160	667X	20-1/2"	80	1-1/2" x 3/8"	4 1/2"	372
1450156	Air-Flo	AF-2000	12-SS6E-SS	12'/138	667X	21-1/4"	69	1-1/2" x 3/8"	4 1/2"	331
1455160	Air-Flo	AF-2000	14-SS6E-SS	14'/160	667X	21-1/4"	80	1-1/2" x 3/8"	4 1/2"	354
1450171	Air-Flo	Flo 'N Dump	70074	10'/94	667XH	30"	94	1-1/2" x 1/2"	2-1/4"	700
1450173	Air-Flo	Flo 'N Dump	70076	12'/114	667XH	30"	114	1-1/2" x 1/2"	2-1/4"	849
1450190	Curtis	TS17/TS25	1TS17-E15	8'/132	662	10-5/8"	44	1" x 1/4"	5"	60
1455110	Down Easter	12" Conveyor	SPEV110A	8'/123	662	10-3/8"	41	3/4" x 3/16"	5"	51
1453108	Down Easter	14" Conveyor	SPGV110A/SPV1408	8'/123	662	12-1/4"	41	3/4" x 3/16"	5"	70
1453112	Down Easter	14" Conveyor	SPGV110A/SPV1410	10'/160	662	12-1/4"	53	1" x 1/4"	5"	88
1457150	Down Easter	24" Conveyor	SPHL112	10'/119	667X	20-1/4"	59	1-1/2" x 1/4"	4 1/2"	209
1457157	Down Easter	24" Conveyor	SPHL113	11'/130	667X	20-1/4"	65	1-1/2" x 3/8"	4 1/2"	230
1457160	Down Easter	24" Conveyor	SPHL114	12'/142	667X	20-1/4"	71	1-1/2" x 3/8"	4 1/2"	312
1457165	Down Easter	24" Conveyor	SPHL116	14'/164	667X	20-1/4"	82	1-1/2" x 3/8"	4 1/2"	364
1451110	Fisher/Western	RC	9177/68349/65183	8'/123	662	10-1/2"	41	3/4" x 3/16"	5"	51
1451111	Fisher/Western	HC	20334/65648/68474	8'/123	662	14"	41	3/4" x 3/16"	5"	70
1451113	Fisher/Western	HC	68435	10'/159	662	14"	53	1" x 1/4"	5"	88
NEW 1451109	"Fisher/Western SnowEx/Blizzard"	Tornado, Poly-Caster, Ice Chaser	78076	7'/99	662	14"	33	3/4" x 3/16"	5"	46
1451112	"Fisher/Western SnowEx/Blizzard"	Ice Breaker, Tornado, Striker, Marauder, Renegade, Tempest, Pro-Caster, Steel-Caster, Poly-Caster, Ice Chaser	94898	7' and 8'/108	662	14"	36	3/4" x 3/16"	5"	50
1452150	Flink	LMC-5H	020096/021167	10'/118	667X	21-1/8"	59	1-1/2" x 3/8"	4 1/2"	270
1453160	Good Roads	Series 3	90000926	10'/121	667X	22-1/2"	60	1-1/2" x 3/8"	4 1/2"	260
1453168	Good Roads	Series 3	90000930	14'/169	667X	22-1/2"	85	1-1/2" x 1/4"	4 1/2"	296
1454110	Henderson	FSP	61201	8'/123	662	11-1/4"	41	3/4" x 1/4"	5"	58
1454112	Henderson	FSP	61201-77034	10'/160	662	11-1/4"	53	3/4" x 1/4"	5"	73
1454125	Henderson	FSM	FSM	10'/150	662	13-3/4"	50	1" x 1/4"	5"	97
1454150	Henderson	FSH	77467-77468	10'/112	667X	21-1/8"	56	1-1/2" x 1/4"	4 1/2"	193
NEW 1454151	Henderson	FSH	77470-72/77467-69	11'/112	667X	25-1/8"	56	1-1/2" x 3/8"	4 1/2"	282
NEW 1454154	Henderson	FSH	77470-72/77467-69	14'/164	667X	25-1/8"	82	1-1/2" x 3/8"	4 1/2"	412
1454155	Henderson	FSH	77471-77472	12'/142	667X	21-1/8"	71	1-1/2" x 3/8"	4 1/2"	232
1454160	Henderson	FSH	77470	14'/164	667X	21-1/8"	82	1-1/2" x 3/8"	4 1/2"	271
1454150	Hero		385-6-10	10'/112	667X	21-1/8"	56	1-1/2" x 1/4"	4 1/2"	193
1453110	Hiniker	540/640	401-00336	8'/90	667H	11-1/2"	30	3/4" x 1/4"	7"	60
1455110	Hi-Way	P	34066	8'/123	662	10-3/8"	41	3/4" x 3/16"	5"	51
1455113	Hi-Way	Super P	79305	8'/123	662	14-1/4"	41	1" x 1/4"	5"	78
1455115	Hi-Way	Super P	84723	10'/159	662	14-1/4"	53	1" x 1/4"	5"	98
1455150	Hi-Way	E-2020	12993	10'/112	667X	21-1/4"	56	1-1/2" x 3/8"	4 1/2"	253
1455155	Hi-Way	E-2020	12995	12'/138	667X	21-1/4"	69	1-1/2" x 3/8"	4 1/2"	303
1455160	Hi-Way	E-2020	39605	14'/160	667X	21-1/4"	80	1-1/2" x 3/8"	4 1/2"	354

When shortening Chains, it is recommended ordering (2) extra repair links.

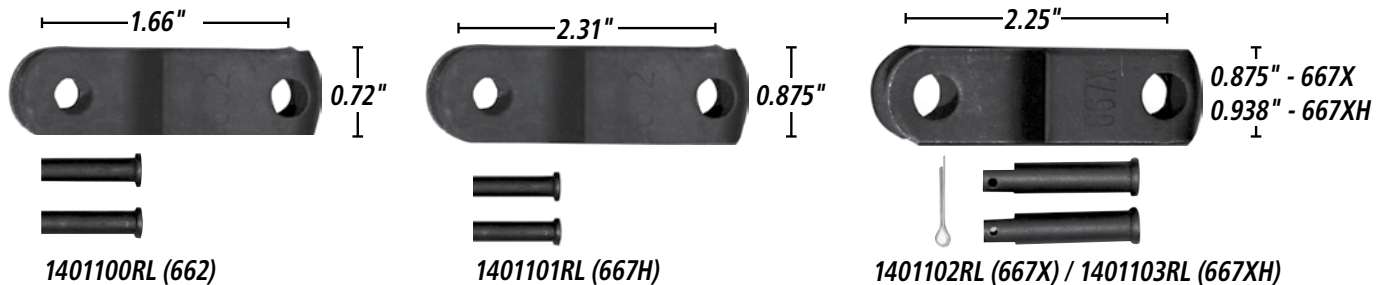
HOPPER SPREADER REPLACEMENT CHAINS

CONVEYOR CHAIN REPLACEMENT FOR HOPPER SPREADERS, CONTINUED

PART NO.	BRAND	MODEL	OEM PART NO.	(A) CHAIN LENGTH/ (B) CHAIN LINKS	(C) PITCH NO.	(D) CENTER TO CENTER	(E) BAR QTY.	(F) CROSS BAR DIM.	(G) BAR SPACING	WT (LBS.)
1455200	Monroe	MSPV	05036017	8'/124	662	12-7/8"	41	1" x 1/4"	5"	71
1455210	Monroe	MSPV	05036263	10'/152	662	12-7/8"	50	1" x 1/4"	5"	91
1455215	Monroe	MSPV	05036252	10'/118	667X	20-1/2"	89	1-1/2" x 3/8"	4 1/2"	253
1458110	Smith II	Series II	120-7A	8'/125	662	10-1/2"	42	1" x 1/4"	5"	55
1458115	Smith II	Series II	55416HC	10'/118	667X	21"	59	1-1/2" x 3/8"	4 1/2"	250
1456110	Sno-Way	V & EV	96104740	8'/123	662	13-1/2"	41	1" X 3/16"	5"	57
1455110	Swenson/Meyer	PV	04043-048-00	8'/123	662	10-3/8"	41	3/4" x 3/16"	5"	51
1450110	Swenson/Meyer	PV	04043-049-00	8'/123	662	10-1/2"	41	3/4" x 1/4"	5"	53
1454110	Swenson/Meyer	PV	04043-050-00	8'/123	662	11-1/4"	41	3/4" x 1/4"	5"	58
1454112	Swenson/Meyer	PV	04043-047-00	10'/160	662	11-1/4"	53	3/4" x 1/4"	5"	73
1457110	Swenson/Meyer	PV358/PolyHawk	63181/04043-071-00	8'/95	667H	12-3/4"	24	1" x 1/4"	9"	57
1457112	Swenson/Meyer	PV/MDV	62343/04043-075-08 04043-053-00	8'/92	667H	12-3/4"	46	1" x 1/4"	4 1/2"	83
1457115	Swenson/Meyer	MDV	62344/04043-016-00 04053-042-00 04043-075-09	9'/102	667H	12-3/4"	50	1" x 1/4"	4 1/2"	92
1457120	Swenson/Meyer	MDV	62345/04043-043-00 04043-075-10	10'/112	667H	12-3/4"	55	1" x 1/4"	4 1/2"	89
1457150	Swenson/Meyer	EV100/150/200	04045-037-00 04045-073-00	10'/119	667X	20-1/4"	59	1-1/2" x 1/4"	4 1/2"	209
1457157	Swenson/Meyer	EV100/150/200	04045-137-00	11'/130	667X	20-1/4"	65	1-1/2" x 3/8"	4 1/2"	230
1457160	Swenson/Meyer	EV100/150/200	04045-039-00	12'/142	667X	20-1/4"	71	1-1/2" x 3/8"	4 1/2"	312
3040931	Swenson/Meyer	EV100/150/200	04045-039-00 SST	12'/142	667X	20-1/4"	71	1-1/2" x 3/8"	4 1/2"	312
1457165	Swenson/Meyer	EV100/150/200	04045-390-08 04045-056-00 04045-082-00	14'/164	667X	20-1/4"	82	1-1/2" x 3/8"	4 1/2"	364
1457166	Swenson/Meyer	EV100/150/200	04045-390-09	15'/188	667X	20-1/4"	94	1-1/2" x 3/8"	4 1/2"	417
1453115	Tarco	Highlander Jr.	23652-1	8'/123	662	12"	41	1" x 1/4"	5"	66
1453120	Tarco	HLHY210	30137-10A	10'/121	667X	21-1/2"	60	1-1/2" x 3/8"	4 1/2"	256
1458200	Tenco	Tenco	523200643	10'/112	667H	15-1/2"	56	1-1/4" x 3/8"	4 1/2"	175
1458210	Torwell	Economizer	E15	8'/132	662	10-5/8"	44	1" x 1/4"	5"	60
1458213	Torwell	Torwell	T140100	10'/118	667X	15"	59	1-1/2" x 3/8"	4 1/2"	179
1458215	Torwell	Torwell	T140102-10	10'/118	667X	21"	59	1-1/2" x 3/8"	4 1/2"	250
1459100	Warren	AC1410/20	22004432	8'/129	662	11-1/4"	43	1" x 1/4"	5"	74
1459112	Warren	E/AC-2420	22004432SP	10'/118	667X	20-1/2"	89	1-1/2" x 3/8"	4 1/2"	253

When shortening Chains, it is recommended ordering (2) extra repair links.

CONVEYOR CHAIN REPAIR LINK WITH HARDWARE



PART NO.	DESCRIPTION	WT (LBS.)
1401100RL	Link, 662 Conveyor Chain Repair	0.17
1401101RL	Link, 667H Conveyor Chain Repair	0.19
1401102RL	Link, 667X Conveyor Chain Repair	0.31
1401103RL	Link, 667XH Conveyor Chain Repair	0.69

DRIVE SYSTEM



3006887



1401200



1410706

PART NO.	DESCRIPTION	OEM PART NO.
3006887	Engine - B+S	F-96165, FU-81275, H-81275, HW-44567, S-04145-063-00, M-05005041, W-96165
1410302	Shaft, Drive, 1-1/8in x 18in	F-9164, HW-26651, W-65173
1401200	Gear Box, 20:1	F-9171, HW-27118, W-65178
1410706	Coupler, Drive Shaft	F-9169, HW-26652, W-65177
1410803	Shear Pin, 3/8inx2.0in	F-67147, HW-6122, W-92998
1405100	Idler Shaft, 1in x 16in	F-9184, FU-025315, H-61134, HW-26680, S-00101-325-00, M-61172, MO-00057415, W-65191
1405150	Idler Sprocket, 6T, 662	F-9183, FU-025312, H-75984, HW-26812, S-06022-001-00, M-61171, MO-05033024
141050WSS	Take Up Bolt, SST	F-20150, FU-404C-1, H-61137, HW-21398, S-04006-004-01, M-61155, MO-05016106, W-95608

PILLOW BLOCK BEARINGS



3009067

PART NO.	DESCRIPTION	OEM PART NO.
3009067	Bottom Bearing, 2-Bolt Pillow Block, 1" ID, 2" Tapped	F-20322, HW-26816, M-62356, MO-05030023, S-04080-079-00, W-65636
P12SP	Bottom Bearing, 2-Bolt Pillow Block, 3/4" ID, 3.63"-3.88"	F-9193, H-51867, WA-30030024, W-65197
1420100		
P16SP	Top Bearing, 2-Bolt Pillow Block, 1" ID, 4.00"-4.25"	F-20322/95488, H-3004, HI-79204047, W-65636/95488

IDLER SHAFT/TAKE UP BEARINGS



3010603



1411001

PART NO.	DESCRIPTION	OEM PART NO.
3010603	Bearing, 1.5" ID, 0.7" Slot Width, 4.4" Slot Height	-
1411001	Bearing, 1.5" ID, 0.53" Slot Width, 2.99" Slot Height	A-5004
NEW 3008290	Bearing, 1.25" ID, .53" Slot Width, 3.5" Slot Spacing	-

FLANGE BEARINGS



1410200



2F12SCR

PART NO.	DESCRIPTION	OEM PART NO.
0208430	Bearing, 4-Hole Mount, 5/8" ID, 2.13" C-C	F-68662/75660, SE-68662/75660/51043/D6512/D6332/M1351, W-68662/75660
2F12	Bearing, 2-Hole Mount, 3/4" ID, 3.53" C-C	F-68619, W-68619
2F12SCR	Bearing, 2-Hole Mount, 3/4" ID, 3.55" C-C	B-TGS15532, F-96167, WA-70080029, W-96501/96490
AB2H16F	Bearing, 2-Hole Mount, 1" ID, 3" C-C, *All Stainless	F-9176, FL-420T, H-11114, HY-22563, M-61165, MO-5030023, S-04080-053-00, W-65182
3018919*		
2F16SCR	Bearing, 2-Hole Mount, 1" ID, 3.89" C-C	F-9176, M-60290, SE-D5527/D5383
AB2H18S	Bearing, 2-Hole Mount, 1-1/8" ID, 4.59" C-C	F-94536/94953, SE-94536, W-94536/94953
1410200	Bearing, 2-Hole Mount, 1-1/8" ID, 3.56" C-C	F-9162, FL-420V, H-51862, HI-74902405, HW-22568, M-61163, MO-05030023, S-04080-005-00, W-65171
9240086	Bearing, 2-Hole Mount, 1-1/8" ID, 3.56" C-C	M-61163/62400, S-04080-005-00
AB2H20S	Bearing, 2-Hole Mount, 1-1/8" ID, 4.59" C-C	H-78499
2F20	Bearing, 2-Hole Mount, 1-1/4" ID, 5.13" C-C	SE-D6845/D5382, WA-70030048
AB3H20F	Bearing, 3-Hole Mount, 1-1/8" ID	M-61465, S-04080-057-00
4F32SCR	Bearing, 4-Hole Mount, 2" ID, 5.67" C-C	S-04080-047-00/04080-059-00, WA-70080011/70030046
NEW 3003032	Bearing, 4-Hole Mount, 5/8" ID, 2.5in C-C	W-M1351, F-M1351, SE-D6332, TGS05
NEW 4F24SCR	Bearing, 4-hole mount, 1-1/2" ID, 4.02IN C-C	SWENSON 04080-047-00

UNIVERSAL SPREADER REPLACEMENT PARTS

CLUTCH ASSEMBLY, UNIVERSAL, 1" SHAFT

- 12 VDC high torque clutch assembly has 1 inch shaft.
- 6A, 47 watts.

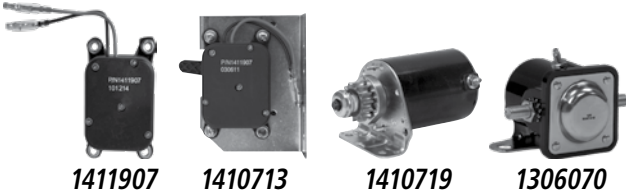


PART NO. DESCRIPTION

1401150 Clutch Assy. Elec. 12 VDC

Compares to: Air-Flo A40032; Henderson 51873; Swenson 04138-017-00; Hi-Way 41719; Meyer 61167; Fisher 9207; Western 65212; Hiniker 80302223; Hiniker 80302146; Ogora 51509; Boss PMV0107; Boss PMV1013; Monroe 00069497; Monroe 05050107; Down Easter SPN104C; Torwell E22

DRIVE SYSTEM



PART NO. DESCRIPTION OEM PART NO.

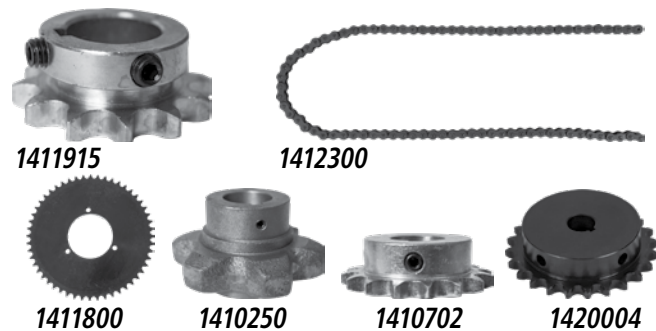
1411907 Throttle Motor F-20134, FU-469K-4, H-80658, S-04150-037-00, M-62066, MO-05050245, W-65374

1410713 Throttle Motor with brackets for B+S Engine -

1410719 Starter Motor, 14T, B+S 693551 -

1306070 Motor Solenoid F-20136, FU-471D, H-51875, HW-18101, S-04146-005-00, M-61179, MO-05041067, W-65357

ROLLER CHAINS AND SPROCKETS



PART NO. DESCRIPTION OEM PART NO.

NEW 1304436 Kit, Master Link, #40 Roller Chain W-95894, F-95894

1411915 Engine Sprocket, 12T F-9209, FU-25465, H-51863, HW-26689, W-65214

1412300 Roller Chain Assy, Engine F-68350, FU-25463, H-51874, HW-26684, W-68350

1411800 Clutch Sprocket, 52T F-9202, FU-025467, H-51866, HW-11775, W-65209

1410250 Sprocket, Drive, 6T, 1-1/8in F-9163, H-75986, HW-26653, S-00102-347-00, M-61156, MO-05033024, W-65172

1410702 Gearbox Sprocket, 16T, 1in F-9174, HW-26810, W-65181

1430004 Roller Chain Assy, Spinner Drive F-68351, FU-025459, H-51896, HW-26697, S-04046-016-01, M-61160, MO-05036054, W-68351

1420004 Spinner Sprocket, 24T, 3/4in F-9187, H-51864, W-65193

NEW 1304435 Chain, #40, w/Master Link, 68 Links F-96518, W-96518

CHUTE/SPINNER



142005ASS 1497505SS 142X150 3004611

PART NO.	DESCRIPTION	OEM PART NO.
142005ASS	Chute Assembly, SST	F-9189, H-75978, HW-90471, S-00001-595-00, M-61203, MO-0057260, W-65198
1497505SS	Chute Assembly, SST, EXT	F-9194, H-75979, HW-90420, S-00001-913-00, M-61150, MO-00057535, W-65244
1420150	Spinner Shaft, STD Chute	F-9191, FU-025240, H-61171, HW-26889, S-00104-804-00, M-61151, MO-00057269, W-65196
142X150	Spinner Shaft, EXT Chute	F-9192, FU-025241, H-61324, HW-26890, S-00104-833-00, M-62057, MO-00057272, W-65243
1420014	Shear Pin, 1/4in x 2-1/2in	F-20351, FU-406K-2, H-50329, S-6299, S-04003-003-07, MO-05010647, W-92997

PART NO.	DESCRIPTION	OEM PART NO.
3004611	Spinner Disk, 12in, Poly	F-9196/20321, FU-025404, H-61167, HW-26888, S-04622-033-00, M-61180, MO-00057257-A, W-65201/6563

HARDWARE



PART NO.	DESCRIPTION	OEM PART NO.
1412000	Key, 1/4in x 1.5in	F-9166, FU-2034, H-10477, HW-82466, S-04031-007-00, MO-0505121, W-65174
KS402	Key, 1/4in x 2.0in	F-9166, FU-394-15, H-00405, HW-2211, S-04145-036-00, M-61201, MO-0501284, W-65174

PART NO.	DESCRIPTION	OEM PART NO.
KS301	Key, 3/16in x 1in	F-65195, FU-25393, H-51883, HW-6134, S-04031-007-00, M-61196, MO-05050121, W-65195
1411500	Collar	F-9206, H-10370, HW-2696, S-04001-001-01, W-65211

VIBRATOR KITS

Kit Includes

- Vibrator
- Wire Harness
- Fuse Holder
- Switch
- Install Hardware



3008046 Vibrator Kit

3013659 Vibrator Kit

PART NO.	DESCRIPTION
3008076	Vibrator, 80 lbs force
3008241	Vibrator Kit, 80 lbs. force *Compares to SnowEx™ D6174
3007416	Vibrator, 200 lbs. force
3008046	Vibrator Kit, 200 lbs. force for 1-3 cu. yds. Spreaders
3012081	Vibrator Only, 400 lbs. force
3013659	Vibrator Kit, 400 lbs. force for 4 cu. yds. Spreaders
3019166	Vibrator Only, 900 lbs. force
3031539	Vibrator Kit, 900 lbs. force

SPREADER CONVEYOR MOTOR, 12V

- 40 AMP w/ load
- 6 Amp no load
- CW or CCW
- 1,800 RPM
- 1/2 HP+
- 56C motor frame



PART NO.	DESCRIPTION
9031200	Spreader Motor, 12V, 5/8" Shaft <i>Compares to: Arctic® AG6E, AG8E, AG10E, 90151N; Blizzard Ice Chaser® - 95755-1; Curtis SnoPro 550 Series - 1CS6E-M; Fisher Polycaster® - 195755, 95755-1, 95755-2; Sno-Way V Box Electric®- 96113617, 96111764; Western Tornado®- 95755, 95852</i>

SPINNER MOTOR, 12V

- 12V
- Spinner w/10-COG Pulley
- 1/2" Shaft
- 3-1/2" Dia. body
- Prewired male blade type connectors
- Commonly used with 9031200 conveyor motor



PART NO.	DESCRIPTION
9031201	Spreader Motor, 12V, 5/8" Shaft <i>Compares to: Blizzard®, Fisher®, Western® 78300</i>

SPINNER MOTOR, 12V

- 12V
- 5/8" shaft with 1/4" cross-drilled hole
- 1/2 HP industrial
- Replaces Meyer P.M. Motor 34102 for Blaster series 350, 350S, 750R, 750RS and Swenson 04150-051-00



PART NO.	DESCRIPTION
9031202	Spreader Motor, 12V, 5/8" Shaft

SPINNER MOTOR

- 1/6 HP
- 15.6 amps
- 600 RPM
- Bi-Directional
- .500"x1.15" flat sided shaft
- 5.00 Diameter x 7.25" Long
- Stainless steel housing
- IP65



PART NO.	DESCRIPTION
1304900	Motor, Spinner, Replaces Smith 140-1B

SPREADER CONTROLLERS



9032020



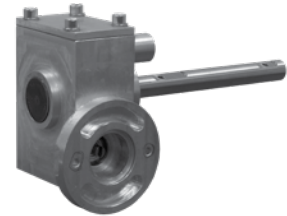
9032021

PART NO.	DESCRIPTION	OEM PART NO.
9032020	Use with SP325, SP575, SP1075	D6230 SnowEx
9032021	Use with SP1575, SP1875, SP3000, SP6000, SP7500, SP7550, SP8000	D5525 SnowEx
3021616	Replacement Rocker Switch	—

SPREADER GEAR MOTORS SP7500, 7550, 8500, 9500



9032000



9032001

PART NO.	DESCRIPTION	OEM PART NO.
9032000	12 VDC Spinner Motor for SP7500, 7550, 8500	D6827 SnowEx
9032001	Spinner Gear Box for SP300, SP575, SP1075, SP6000, SP7500, 7550, 8500	D6107 SnowEx
9032002	12 VDC Spinner Motor for SP9500	D6887 SnowEx
9032005	12 VDC Spreader Motor	D6106 SnowEx

BATTERY, 12V

- 12V
- 20 A
- 275 CCA Gel Cell
- 7.125" L x 3" H x 6.575" H



PART NO.	DESCRIPTION
1410717	Battery, 12V

UNIVERSAL SPREADER REPLACEMENT PARTS

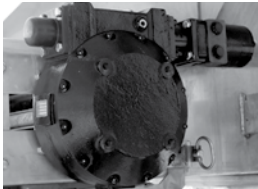
WIRELESS CONTROLLER FOR GAS SPREADERS



PART NO. DESCRIPTION

3045818 Wireless Controller for Gas Spreaders

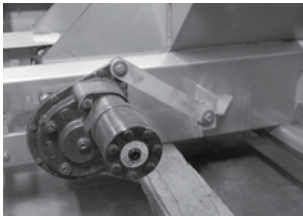
DRIVE COMPONENT PARTS (FOR FULL-SIZE SPREADERS)



3010057/3010863



3010846



3019690

PART NO.	DESCRIPTION	WT (LBS.)
3010034	1-1/2" Idler Shaft, 28" Long	5.0
3010057	50:1 Gearbox w/2" Shaft	97.0
3010845	Sprocket, 8-Tooth, 2" for 667X Chain	7.6
3010846	Sprocket, 8-Tooth, 1-1/2" for 667X Chain	7.7
3010863	25:1 Gearbox w/2" Shaft	139
3035567	6:1 Gearbox, Spur Gears	64

*Compares to Swenson@ 04080-047-00, Warren™ 70030046

YELLOW POLYURETHANE REPLACEMENT SPINNERS

- 1/4" thru hole
- Fin height - 2.25"



1308907

PART NO.	DESCRIPTION
1308900	Spinner Yellow Poly, 18" dia. CCW
1308901	Spinner Yellow Poly, 18" dia. CW
1308902	Spinner Yellow Poly, 18" dia. Straight
1308903	Spinner Yellow Poly, 20" dia. CCW
1308904	Spinner Yellow Poly, 20" dia. CW
1308905	Spinner Yellow Poly, 20" dia. Straight
1308906	Spinner Yellow Poly, 24" dia. CCW
1308907	Spinner Yellow Poly, 24" dia. CW
1308908	Spinner Yellow Poly, 24" dia. Straight

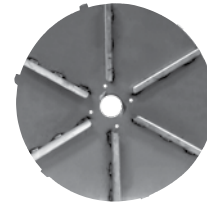
UNIVERSAL REPLACEMENT SPINNERS & HUBS



9240016A - 18"



9240020 - 20"



3022224 - 20"



924F0017A



924F0017T

PART NO. DESCRIPTION

9240016	Universal Spinner, 18" dia., Poly, CCW
9240016A	Universal Spinner, 18" dia., Poly, CW
9240020	Universal Spinner, 20" dia., Poly, CCW
3022224	Spinner, 20", SST, CCW (fits 924F0017A or -T)
3022198	Spinner, 20", SST, CW (fits 924F0017A or -T)
924F0017A	Univ. Spinner Hub (keyed & cross drilled) 1 1/2"H
924F0017T	Univ. Spinner Hub (keyed & cross drilled) 2-7/8"H

SPINNER DISK/SPINNER HUB



1308890



1308918



1308920

PART NO.	DESCRIPTION	OEM PART NO.
1308890	Spinner, 12-3/4" OD Poly Straight, 1" Shaft	06005 Swenson
1308918	Spinner, Poly, Disc, 18", CW, with Hub	HX09694 Henderson
1308920	Spinner, Poly, Disc, 20", CW, with Hub	74367A Henderson
PART NO.	DESCRIPTION	OEM PART NO.
3008045	Spinner Disk, 11-1/2" OD Poly, 1" Shaft	14004 Air-Flo
3008632	Spinner Hub, Universal, 1" shaft, 3"H for mid & full size hopper spinners	

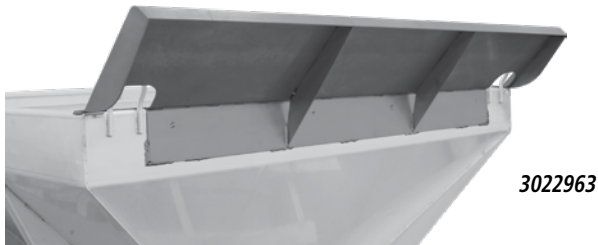
SPREADER PARTS

SIDE SPILL SHIELDS FOR MUNICIPAL SPREADERS



PART NO.	DESCRIPTION	WT (LBS.)
1492144	Spill Shield, 2' x 12' Belted 3/8" Thick Rubber (each)	56
1492168	Spill Shield, 2' x 14' Belted 3/8" Thick Rubber (each)	65
3048788	Spill Shield Kit, Rubber 2' x 9', SST Bracket	125
3048789	Spill Shield Kit, Rubber 2' x 10', SST Bracket	143
3048790	Spill Shield Kit, Rubber 2' x 11', SST Bracket	157
3048791	Spill Shield Kit, Rubber 2' x 12', SST Bracket	172
3048792	Spill Shield Kit, Rubber 2' x 13', SST Bracket	186
3048793	Spill Shield Kit, Rubber 2' x 14', SST Bracket	200

FRONT/REAR SHIELD FOR MUNICIPAL SPREADERS



3022963

PART NO.	DESCRIPTION	WT (LBS.)
3022963	18" Front/Rear Spill Shield, Stainless Steel, Bolt-On or Weld-On	82
3048007	24" Front/Rear Spill Shield, Stainless Steel	148

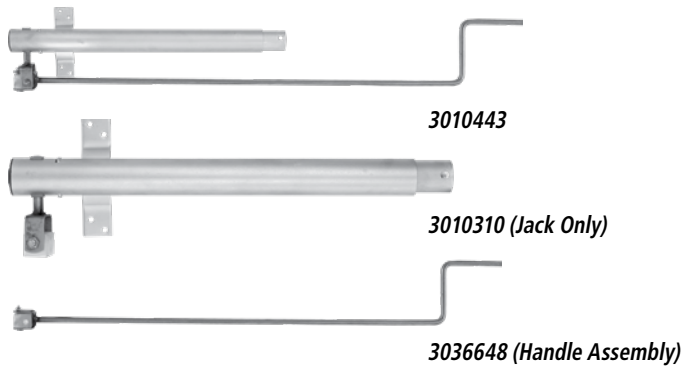
V-BOX REMOTE IDLER BEARING GREASE KIT

- Idler Bearings
- Drive Bearing
- Screw Jack



PART NO.	DESCRIPTION	WT (LBS.)
3037781	Remote Grease Kit, 3 Point, Universal	3.26

JACK ASSEMBLY



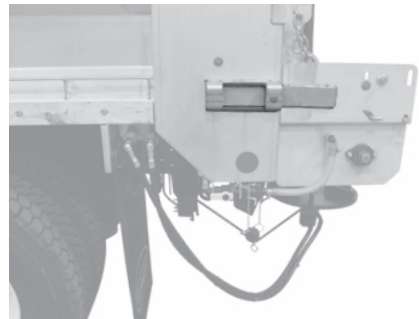
PART NO.	DESCRIPTION	WT (LBS.)
3010443	Jack Assembly	13.70
3010310	Jack Only	45.69
3036648	Handle Assembly Only (handle, U-joint bearing, & hardware)	6.55

HARDWARE



PART NO.	DESCRIPTION	WT (LBS.)
3010610	Tie Down Loop	1.28

SLIDE ARM HARDWARE



PART NO.	DESCRIPTION	WT (LBS.)
3061406	Slide Arm Pocket, Steel, per each	3.76
3061407	Slide Arm Pocket, Stainless Steel, per each	3.76
3061408	Slide Arm, Steel, per each	1.47
3061409	Slide Arm, Stainless Steel, per each	1.47

SPREADER PARTS

SPREADER PARTS AND ACCESSORIES

SIDE FOLDING SPREADER LADDER



PART NO.	DESCRIPTION	WT (LBS.)
9331000	Folding Ladder, MDS, SST	61

UNIVERSAL FOLDING SPREADER LADDER

- 16.25"x76"



PART NO.	DESCRIPTION	WT (LBS.)
3022060	Universal Folding Spreader Ladder, Stainless Steel, Full Size	36

PLATFORM LADDER



PART NO.	DESCRIPTION	WT (LBS.)
3048843	Platform Ladder	62.74

V-BOX CHAIN LUBRICATOR KIT

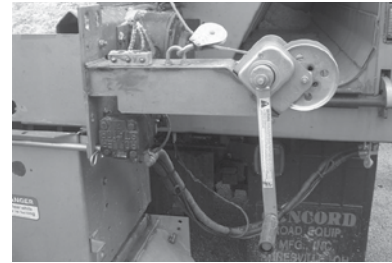
KIT INCLUDES:

- Oil system tank - Dimension: 13.85"x5.00"x4.75"
- 18 Ft. clear hose
- Breather cap #HBF16
- Hardware kit



PART NO.	DESCRIPTION	WT (LBS.)
3020625	V-Box Chain Lubricator Kit, SS	8.00

MUNICIPAL V-BOX CRANK-UP CHUTE KIT



PART NO.	DESCRIPTION
3020626	V-Box Crank-Up Chute Kit, Includes Mounting Post and Hardware

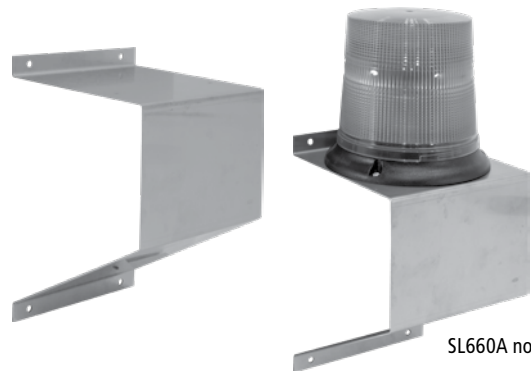
TAILGATE LOCK KIT



3008560

PART NO.	DESCRIPTION	WT (LBS.)
3008560	Tailgate Lock Kit, Steel	40
3057654	Tailgate Lock Kit, Stainless Steel	60.1
3036588	Tailgate Lock Kit, Stainless Steel for use with mid size spreaders	33
NEW 3065003	Tailgate Lock Kit, Steel, Incl. (4) 5483027 Ratchet Tie Downs (3in x 27ft, Double J-Hook)	88
NEW 3065004	Tailgate Lock Kit, Stainless Steel, Incl. (4) 5483027 Ratchet Tie Downs (3in x 27ft, Double J-Hook)	108

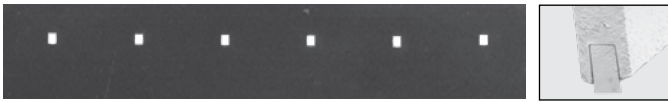
BEACON MOUNT BRACKET



SL660A not included

PART NO.	DESCRIPTION	WT (LBS.)
8891003	Beacon Mount Bracket, Stainless Steel	1.94

CARBIDE BLADES: HIGHWAY PUNCH



Carbide tip

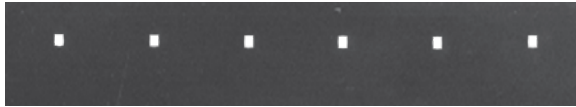
PART NO. DESCRIPTION

1317040 3/4" x 6" x 36" Carbide-CTSK

1317041 3/4" x 6" x 48" Carbide-CTSK

See pgs. 150-151 for detailed dimensions.

STEEL CUTTING & COVER EDGES: HIGHWAY PUNCH



PART NO. DESCRIPTION

1317043 1/2" x 6" x 96" STD HWY (Cover Edge)

1301275 1/2" x 6" x 108" STD HWY (Cover Edge)

1301280 1/2" x 6" x 120" STD HWY (Cover Edge)

1317046 1/2" x 6" x 132" STD HWY (Cover Edge)

1317047 1/2" x 6" x 144" STD HWY (Cover Edge)

1317017 5/8" x 6" x 24" STD HWY

1317018 5/8" x 6" x 24" STD HWY-CTSK

1317019 5/8" x 6" x 36" STD HWY-CTSK

1317007 5/8" x 6" x 48" STD HWY-CTSK

1317006 5/8" x 6" x 108" STD HWY

1301281 5/8" x 6" x 120" STD HWY

1317000 5/8" x 6" x 120" STD HWY-CTSK

1317001 5/8" x 6" x 132" STD HWY

1317026 5/8" x 6" x 144" STD HWY

1317005 5/8" x 8" x 96" STD HWY

1317025 5/8" x 8" x 96" STD HWY-CTSK

1317004 5/8" x 8" x 108" STD HWY

1317021 5/8" x 8" x 108" STD HWY-CTSK

1317002 5/8" x 8" x 120" STD HWY

1317012 5/8" x 8" x 120" STD HWY-CTSK

1317003 5/8" x 8" x 132" STD HWY

1317023 5/8" x 8" x 132" STD HWY-CTSK

1303542 5/8" x 8" x 144" STD HWY

1317024 5/8" x 8" x 144" STD HWY-CTSK

1317013 3/4" x 6" x 24" STD HWY-CTSK

1317038 3/4" x 6" x 36" STD HWY-CTSK

1317039 3/4" x 6" x 48" STD HWY-CTSK

1317014 3/4" x 8" x 48" STD HWY

1317015 3/4" x 8" x 60" STD HWY

1317016 3/4" x 8" x 72" STD HWY

1317008 3/4" x 8" x 108" STD HWY-CTSK

1317009 3/4" x 8" x 120" STD HWY-CTSK

1317010 3/4" x 8" x 132" STD HWY-CTSK

1317011 3/4" x 8" x 144" STD HWY-CTSK

See pgs. 150-151 for detailed dimensions.

CURB GUARDS

- Highway punch plate pattern
- Heavy-duty 1/2", 5/8" or 3/4" steel
- Fits most 9' plows & all 10' plows.
- Hole pattern 3"- ctr to ctr



1301800
1301806



1301805
1301807



1301815
1301816
1301820



1301818
1301821

PART NO. DESCRIPTION

1301800 Driver - 1/2" x 6" x 12.26"

1301805 Curbside - 1/2" x 6" x 12.26"

1301806 Driver - 5/8" x 6" x 12.26"

1301807 Curbside - 5/8" x 6" x 12.26"

1301815 Universal - 1/2" x 6" x 10"

1301816 Universal - 1/2" x 8" x 10"

1301818 Universal - 5/8" x 8" x 10"

1301820 Universal - 5/8" x 6" x 10"

1301821 Universal - 3/4" x 8" x 10"

YELLOW POLYURETHANE CUTTING EDGES



PART NO. DESCRIPTION

WT. (LBS)

1312505 1-1/2" x 8" x 96", no holes

48.0

1312510 1-1/2" x 8" x 108", no holes

54.0

1312515 1-1/2" x 8" x 120", no holes

59.0

1312520 1-1/2" x 8" x 132", no holes

64.9

1312525 1-1/2" x 8" x 144", no holes

70.8

BLACK UHMW POLYETHYLENE CUTTING EDGES



PART NO. DESCRIPTION

WT. (LBS)

1312534 1" x 6" x 80", no holes

16.3

1312536 1" x 6" x 90", no holes

18.4

1312537 1" x 6" x 96", no holes

19.6

RUBBER CUTTING EDGES



PART NO. DESCRIPTION

1312546 1-1/2" x 10" x 108", STD HWY PUNCH

1312547 1-1/2" x 10" x 120", STD HWY PUNCH

1312548 1-1/2" x 10" x 132", STD HWY PUNCH

1312549 1-1/2" x 10" x 144", STD HWY PUNCH

MUNICIPAL
PLOW PARTS

MUNICIPAL HIGHWAY PLOW PARTS AND ACCESSORIES

CUTTING EDGE NUTS & BOLTS



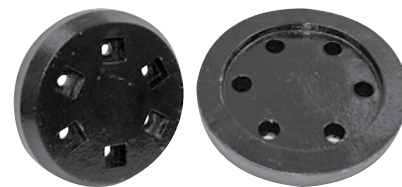
FCB063011400
5/8" x 4"

FCB063011251
5/8" x 2.5"

PART NO.	DESCRIPTION	WT. (LBS)
FCB063011400	Zinc Carriage Bolt	.20
FNE063011069	Nylon Lock Nut	.08
FCB063011251	Black Plow Bolt	.27

CAST UNIVERSAL SNOWPLOW SHOES

- 6" bolt centers
- 3/4" square holes
- 10.625" diameter x 2.34" thick

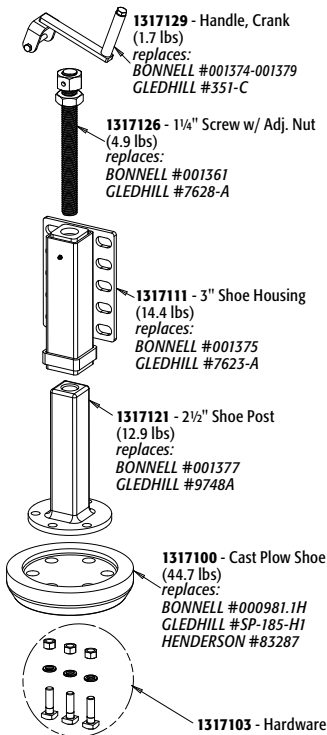


PART NO.	DESCRIPTION
1317100	Shoe, Plow, Cast, Universal, 3/4" Sq Hole
1317103	Hardware Kit for 1317100

PLOW RUNNING GEAR ASSEMBLY

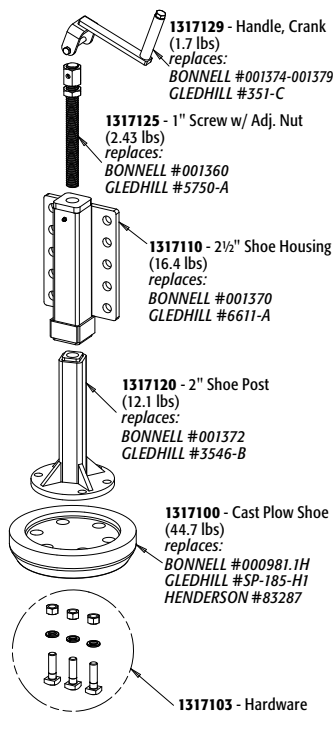
1317131 Running Gear Assy.

REPLACES BONNELL #001329
REPLACES GLEDHILL #7230-A-22



1317130 Running Gear Assy.

REPLACES BONNELL #001328
REPLACES GLEDHILL #7230-A-11

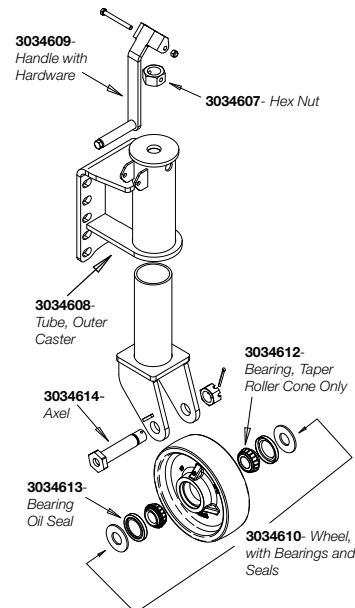


PART NO.	DESCRIPTION
1317130	Plow Assy. Running Gear w/ Shoe, 2-1/2"
1317131	Plow Assy. Running Gear w/ Shoe, 3"

PLOW RUNNING GEAR ASSEMBLY PARTS

PART NO.	PART NO.
1317110	1317125
1317111	1317126
1317120	1317129
1317121	

PLOW CASTER ASSEMBLY



PART NO.	DESCRIPTION
1317132	10" Muni Plow Caster Assembly

PLOW CASTER ASSEMBLY PARTS

PART NO.	DESCRIPTION
3034610	Caster Wheel, W/ Bearing and Seals
3034614	Caster Axel, Zinc
3034613	Oil Seal, Bearing
3034612	Bearing, Taper Roller, Cone only
3034608	Tube, Outer Caster
3034607	Hex Nut, 1.25-7 w/ Thru Hole
3034609	Handle, with Hardware

CAST PLOW SHOE



PART NO.	DESCRIPTION	OEM NUMBER
1317140	6" Cast Plow Shoe	Gledhill™ # 15646-C
1317141	8" Cast Plow Shoe	Gledhill™ # 15647-C

MUNICIPAL PLOW PARTS

CHAIN LIFT PLOW BLOCK

- Works with 7/16" - 1/2" chain



1317119



1317117

PART NO.	DESCRIPTION	REPLACES OEM NUMBER
1317119	Chain Lift Plow Block	Gledhill™ # 7620-B

PART NO.	DESCRIPTION	REPLACES OEM NUMBER
1317117	Chain Block Kit with Chain and Shackles	Gledhill™ # 7620-B

LIFT CHAIN SPRING

- Reduces shock and wear on plow lift components



PART NO.	DESCRIPTION
1317288	Muni Plow Lift Chain Spring

TRIP EDGE CURB GUARD

- 4-1/2" Dia.
- 1-3/8" Thick
- 1-1/4" x 6" Post



PART NO.	DESCRIPTION	OEM NUMBER
1317150	Trip Edge Curb Guard	Henderson® 95001

FORGED BALLFOOT

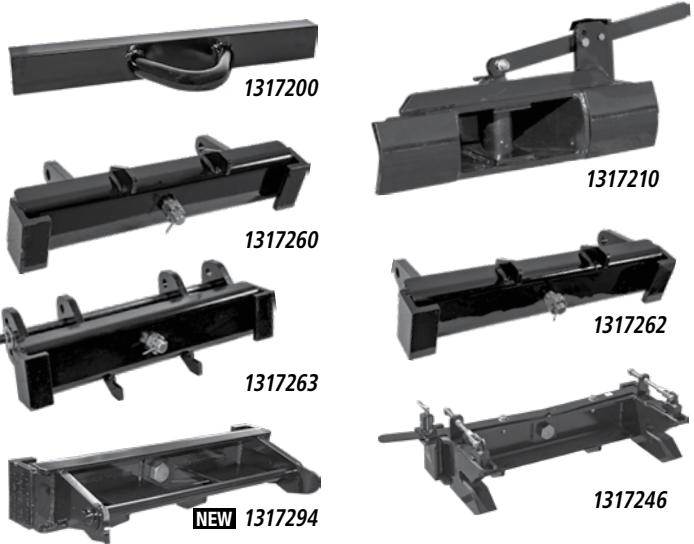
- 1030 Steel Forged construction
- Provides flexibility of orientation when bracing two points. Clamp the ballfeet in place, cut the appropriate tube, and weld



3052690

PART NO.	DESCRIPTION
3052690	Ballfoot, 2in, 3/4in Bolt Hole, Forged
3052695	Ballfoot, 1-1/2in, 5/8in Bolt Hole, Forged

PLOW QUICK HITCH ATTACHMENTS



PART NO.	DESCRIPTION
1317200	Quick Hitch, Plow Portion, Drop Pin Style (works on various Highway plows)
1317210	Quick Hitch, Truck Portion, Drop Pin Style (works on various Highway plows)
1317246	30.5" Quick Hitch Swivel Adapter
1317260	21" Swivel Adapter, Pin Ear
1317262	30.5" Swivel Adapter, Pin Ear
1317263	Penn DOT Style Swivel Adaptor
1317292	Quick Link, Truck Portion
1317294	Swivel Adapter, Quick Link, Plow Side

NEW

HUSTINGS STYLE PLOW HITCH ASSEMBLIES



PART NO.	DESCRIPTION
1317212	29" Truck Side
1317214	29" Plow Portion
1317216	34" Truck Side
1317218	34" Plow Portion
1304520	3" x 10" Single Acting Lift Cylinder
1304512	3" x 10" Double Acting Lift Cylinder
1317222	Roller Kit
1304512	3" x 10" Cylinder
1304514	4" x 10" Cylinder

MUNICIPAL PLOW PARTS

MUNICIPAL HIGHWAY PLOW PARTS AND ACCESSORIES

PIN EAR HITCH PLOW ASSEMBLY



PART NO.	DESCRIPTION
1317250	Hitch Assembly, Pin Ear, 3" dia. DA Cylinder

BLANK HITCH PLOW ASSEMBLY



PART NO.	DESCRIPTION
1317220	Hitch Assembly, Blank, 3" dia. DA Cylinder

DROP PIN HITCH PLOW ASSEMBLY



PART NO.	DESCRIPTION
1317230	Hitch Assembly, Drop Pin, 3" dia. DA Cylinder

BUMPER TO FRAME HITCH MOUNT KIT



PART NO.	DESCRIPTION
1317240	Bumper to Frame Hitch Mount Kit

TILT DROP PIN HITCH PLOW ASSEMBLY



PART NO.	DESCRIPTION
1317235	Tilt, Drop Pin, 3" dia. DA Cylinder

TILT PIN EAR HITCH PLOW ASSEMBLY



PART NO.	DESCRIPTION
1317255	Tilt, Pin Ear, 3" dia. DA Cylinder

QUICK LINK & QUICK LINK TILTING HITCH ASSEMBLY



NEW

PART NO.	DESCRIPTION
1317290	Hitch Assembly, Quick Link, w/3" Cyl
1317295	Hitch Assembly, Quick Link Tilt, w/3" Cyl

TILTING QUICK HITCH PLOW ASSEMBLY



PART NO.	DESCRIPTION
1317265	Tilting Quick Hitch, 3" dia.

QUICK HITCH PLOW ASSEMBLY



PART NO.	DESCRIPTION
1317245	Quick Hitch, 3" dia.

PENN DOT STYLE HITCH PLOW ASSEMBLY



PART NO.	DESCRIPTION
1317280	Penn DOT Style, Hitch Assembly, 3" dia.

BUMPER TO AXLE DROP PIN HITCH ASSEMBLY

- Cylinder sold separately
- Please verify front axle clearance and spring ratings before ordering, in some combinations oil pan may interfere with hitch



PART NO.	DESCRIPTION
1317270	Bumper to Axle, Drop Pin, No Cylinder

BUMPER TO AXLE PIN EAR HITCH ASSEMBLY

- Cylinder sold separately
- Please verify front axle clearance and spring ratings before ordering, in some combinations oil pan may interfere with hitch



PART NO.	DESCRIPTION
1317275	Bumper to Axle, Pin Ear, No Cylinder

MUNICIPAL HIGHWAY PLOW PARTS AND ACCESSORIES

SINGLE- & DOUBLE-ACTING HYDRAULIC CYLINDERS FOR HIGHWAY SNOWPLOWS



Single-Acting



Double-Acting

PART NO.	OEM	OEM PART NO.	BORE	STROKE	ACTING	CTO C RETRACTED	CTO C EXTENDED	ROD FLAT	PIN SIZE	PORT SIZE	PORT LOCATION
1304505	Standard	STD.	1-1/2"	10"	Single	17"	27"	1-1/2"	1"	1/4" NPT	Inline
1304510	Standard	STD.	2"	10"	Single	17-1/4"	27-1/4"	1-1/2"	1"	1/4" NPT	Inline
1304515	Standard	STD.	2-1/2"	10"	Single	18"	28"	1-1/2"	1"	3/8" NPT	90°
1304520	Standard	STD.	3"	10"	Single	18"	28"	1-1/2"	1"	3/8" NPT	90°
1304530	Gledhill	PD832*	2-1/2"	10"	Single	17-7/8"	27-7/8"	1-1/2"	1-1/16"	3/8" NPT	90°
1304535	Gledhill	PD937	3"	10"	Single	18-1/2"	28-1/2"	1-1/2"	3/4"(R) 1"(B)	3/8" NPT	90°
1304545	Henke	7080104	3"	9 1/2"	Double	19-1/2"	29-1/2"	1-1/2"	1"	3/8" NPT	90°
1304515	Henke	7080101	2-1/2"	10"	Single	18"	28"	1-1/2"	1"	3/8" NPT	90°
1304510	Henke	7080103	2"	10"	Single	17-1/4"	27-1/4"	1-1/2"	1"	1/4" NPT	Inline
1304510	Good Roads	61200344	2"	10"	Single	17-1/4"	27-1/4"	1-1/2"	1"	1/4" NPT	Inline
1304515	Good Roads	62100383	2-1/2"	10"	Single	18"	28"	1-1/2"	1"	3/8" NPT	90°
1304520	Good Roads	62101007	3"	10"	Single	18"	28"	1-1/2"	1"	3/8" NPT	90°
1304550	Good Roads	99806239	3"	10"	Double	20"	30"	1-1/2"	1"	3/8" NPT	90°
1304505	Schmidt (Wausau)	W9C03493	1-1/2"	10"	Single	17"	27"	1-1/2"	1"	1/4" NPT	Inline
1304510	Schmidt (Wausau)	W9C04057	2"	10"	Single	17-1/4"	27-1/4"	1-1/2"	1"	1/4" NPT	Inline
1304505	Valk	CS1510	1-1/2"	10"	Single	17"	27"	1-1/2"	1"	1/4" NPT	Inline
1304510	Valk	CS2010	2"	10"	Single	17-1/4"	27-1/4"	1-1/2"	1"	1/4" NPT	Inline
1304512	Henderson	81863	3"	10"	Double	18-1/2"	28-1/2"	1-1/2"	1"	#8 SAE	Inline
1304514	Henderson	81864	4"	10"	Double	18-1/2"	28-1/2"	1-1/2"	1"	#8 SAE	Inline
1304515	Valk	CS2510	2-1/2"	10"	Single	18"	28"	1-1/2"	1"	3/8" NPT	90°
1304520	Valk	CS3010	3"	10"	Single	18"	28"	1-1/2"	1"	3/8" NPT	90°
1304555	Valk	CD4010	4"	10"	Double	20"	30"	2"	1"	3/8" NPT	90°
NEW 1304565	Henke	7080655	4"	15-1/8"	Double	25"	40-1/8"	2"	1.25"	#8 SAE	Inline
NEW 1304570	Henke	7080740	4"	15-1/8"	Double	23-1/6"	36-3/16"	2.5"	5-1/8"	#8 SAE	90°

*Not a direct replacement 1304530 has a chrome shaft on the cylinder

MUNICIPAL PLOW PARTS

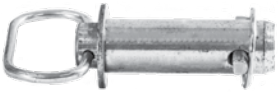
PIN ASSEMBLIES



1317180



1317181



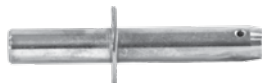
1317182 & 1317183



1317184 & 1317185

PART NO.	DESCRIPTION	REPLACES OEM NUMBER
1317180	Pin Assy., 1" x 5"	Everest 9B0157
1317181	Pin Assy., 1" x 10-1/4"	Everest 9B0637
1317182	Pin Assy., 1-1/4" x 4"	Everest 9B0566
1317183	Pin Assy., 1-1/4" x 5"	Everest 9B0589
1317184	Pin Assy., 1-1/4" x 7-1/4"	Everest 9B0543
1317185	Pin Assy., 1-1/4" x 11"	Everest 9B0730

ATTACHING HITCH HANDLE PIN



PART NO.	DESCRIPTION	REPLACES OEM NUMBER
1317186	Attaching Hitch Handle Pin	Everest 3S0664

EVEREST ACP PIVOT PIN FOR SAFETY TRIP



PART NO.	DESCRIPTION	REPLACES OEM NUMBER
1317187	Pivot Pin For Safety Trip, 1-1/2" dia x 9"	Everest 3P1607

TRIP SPRINGS



1317105



1317106



1317107



1317108

PART NO.	DESCRIPTION	OEM NUMBER	WT. (LBS)
1317105	Trip Spring, Compression	Henderson 81646	24.4
1317106	Trip Spring	Gledhill 1980-D3 Bonnell BON-000700	16.5
1317107	Spring, Torsion, Trip Edge, 3/4" Square	HENKE H95297, WAUSA 9C-07057	22.4
1317108	Spring, Torsion, 7/8" round x 18"	Bonnell 007025	24.6

ELECTRIC-HYDRAULIC SPREADER CONTROL KITS MODELS HV715EPG & HV1030EPG

KIT INCLUDES:

- 3 function controller with LED display: spinner, auger-conveyor, electric pre-wet
- Enclosed proportional valves
- Adjustable 1-30 seconds material blast
- Wire harness
- **Garmin™ GPS Plug-in Antenna**



PART NO.	DESCRIPTION
HV715EPG	Elec-Hyd Spreader Control Kit, 7 GPM Spinner/15 GPM Auger-Conveyor
HV1030EPG	Elec-Hyd Spreader Control Kit, 10 GPM Spinner/30 GPM Auger-Conveyor
GPS1	Garmin™ GPS Unit with signal conditioner
HVC06	Controller with Ground Speed Input

ELECTRIC-HYDRAULIC SPREADER CONTROL KITS MODELS HV715EP & HV1030EP:

KIT INCLUDES:

- 12V programmable controller with detented auger-conveyor/spinner controls
- Dual LED, displays valve settings
- Momentary auger-conveyor blast button (adjustable duration)
- Electric/Hydraulic spreader valve (anodized)
- Poly "Top Hat" sealed enclosure 8-3/4" diameter x 9" high



PART NO.	DESCRIPTION
HV715EP	Elec-Hyd Spreader Valve Kit, 7 GPM Spinner/15 GPM Auger-Conveyor
HV1030EP	Elec-Hyd Spreader Valve Kit, 10 GPM Spinner/30 GPM Auger-Conveyor
HVC05	Controller

SECTIONAL VALVES-21 GPM SERIES

- All valves rated to 25 GPM Max flow
- Port sizes: IN/OUT - 3/4" straight thread 11/16-12 Work Ports - 5/8" straight thread (7/8-12)
- Valve body rated to 4,500 PSI
- Main relief set at 2,250 PSI (adjustable)
- Angle relief set @ 1233 Psi (adjustable)
- Hoist down relief set @ 800 PSI (adjustable)
- All valves have cylinder spools



PART NO.	DESCRIPTION
BV203	3-Way Valve w/No Power Beyond
BV203PB	3-Way Valve w/Power Beyond
BV204PR	4-Way Valve w/Port Relief
BV204PB	4-Way Valve w/Power Beyond
BV204PRPB	4-Way Valve w/Port Relief and Power Beyond
BV20344P	4-Way Valve w/Port Relief, 26 GPM
BV303035	Cable Connection Kit
BV100CYL	Air Shift Cylinder

SECTIONAL VALVES-40 GPM SERIES

- All valves rated to 42 GPM Max flow rating
- All ports are #16 SAE (1-5/16"-12 UNF-2B) straight thread
- Valve body rated to 4,500 PSI
- Main relief 2,500 PSI (adjustable)
- Hoist down relief set at 800 PSI (adjustable)
- All valves have cylinder spools
- Valves come standard with handle assemblies



PART NO.	DESCRIPTION
BV403	3-Way Valve w/No Power Beyond
BV403PB	3-Way Valve w/Power Beyond
BV404	4-Way Valve w/No Power Beyond
BV404PR	4-Way Valve w/Port Relief and No Power Beyond
BV160CYL	Air Shift Cylinder
BV303036	Cable Connection Kit

STAINLESS STEEL RESERVOIRS

- 3/4", 1", & 1-1/4" NPT return ports & 1-1/4" NPT port on reservoir front
- 2" NPT suction port (2 on 15 gal., 1 on 30 gal.)
- 3/4" NPT port on reservoir top, inside enclosure
- 10 gauge, 304 SST
- 26 GPM tank mounted return line filter, 1" port (15 gal. only)
- 50 GPM tank mounted return line filter, 1-1/4" port (30 gal. only)
- Removable valve enclosure lid and valve mounting plate
- 2" suction strainer



PART NO.	DESCRIPTION
SMR15VESS	15 Gal w/valve enclosure
SMR30VESS	30 Gal w/valve enclosure

HYDRAULIC SPREADER MOTORS

CM prefix = Buyers Motor

HM prefix = Char-Lynn® Motor



HM074P



CM004P



CM072P

PART NO.	DESCRIPTION	OEM PART NO.	WT. (LBS)
CM004P	4-Bolt, 3.17 Keyed	C-101-1001-009	12.74
		FL-462-1	
		FL-462F-1	
		G-P-110-5	
		G-P-110-7	
		G-P-110-9	
		GR-94813077	
HM004P	4-Bolt, 3.17 Keyed	GR-94813078	10.67
		H-10928	
		HI-200-30002	
		HI-200-33018	
		M-61333/60324	
		MO-05006100	
		MO-05006546	
CM004PH	4-Bolt, 3.17 Thru Hole	C-101-1313-009	12.75
		H-74453	
HM006P	2-Bolt, 3.17 Thru Hole	C-101-1319-009	11.3
		F-68396/95470	
		F-95277/99560	
		H-51832	
		W-68396/95470	
CM012P	2-Bolt, 4.74 Keyed	C-101-1026-009	14.02
		G-P110-12	
CM032P	2-Bolt, 7.34 Keyed	C-101-1027-009 H-75210	14.28
CM034P	4-Bolt, 7.34 Keyed	C-101-1003-009 FL-462F-11	13.37
HM034P	4-Bolt, 7.34 Keyed	G-P1371-13	9.9
		H-10903/75081	
HM034PS	4-Bolt, 7.34 Keyed w/ Speed Sensor	M-61353/62072	16.1
		MO-05006101	
		MO-05006550	
CM072P	2-Bolt, 19 Keyed	C-101-1031-009	16.32
		H-37340	
CM072PS	2-Bolt, 19 Keyed w/ Speed Sensor		16.32
CM074P	4-Bolt, 19 Keyed	C-101-1007-009	15.54
		FL-462L	
CM074PS	4-Bolt, 17.9 Keyed w/ Speed Sensor	FL-462F-2	13.9
		FX-200-33009	
		H-10927	
HM074P	4-Bolt, 17.9 Keyed	HI-200-33009	12.56
		M-62452/60295	
		S-04101-036-00	
CM084P	4-Bolt, 23.6 Keyed	C-101-1008-009	16.5
		FL-462F	
		G-P-110-13	
		GR-94813079	
		MO-05006556	
CM092P	2-Bolt, 24.9 Keyed	White - 200400A1015	23.17

C=Char-Lynn, F=Fisher, FL=Flink, FX=Fox, G=Gledhill, GR=Goodroads, H=Henderson, HI=Hiniker, M=Meyer, MO=Monroe, S=Swenson, W=Western

MOTOR SAVER W/GREASE FITTING

PART NO.	DESCRIPTION
3062236	4-Bolt, 3.25 Bolt Circle, Works With 4-Bolt Motors (CM**4P, HM**4P)

NEW

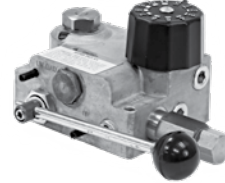
HYDRAULIC SPREADER VALVES

Dual-flow regulator with built-in on/off control plus system relief and pressure compensated to 22 or 40 gpm

- Easy installation with minimum plumbing
- Detent hand knob for each flow control—easy to adjust flow—11 positions



HV715



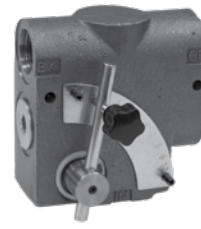
HV020



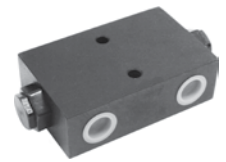
HCR050



HRV07516



HFDL075

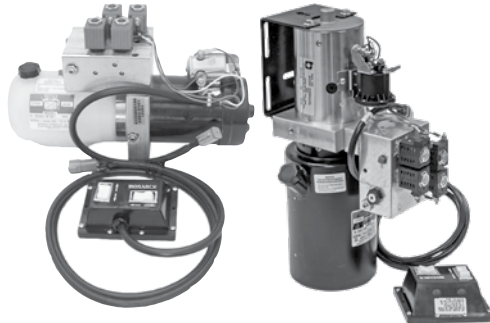


HCVD08

PART NO.	DESCRIPTION	WT. (LBS)
HV515LS	Valve only, 5 GPM/15 GPM, #12 SAE Ports	7.0
HV1030LS	Valve only, 10 GPM/30 GPM, #12 SAE Ports	7.0
HV020	Valve only, NPT 20 GPM	7.0
HV715	Valve only, NPT 15 GPM	7.0
HV715SAE	Valve only, SAE 15 GPM	7.0
HV1030	Valve only, NPT 30 GPM	7.5
HV1030SAE	Valve only, SAE 30 GPM	7.0
HVC715	Valve & Console	21.0
HVC1030	Valve & Console	21.0
HVC1	Console only	13.5
HVKB	Repl. Knob	0.2
PART NO.	DESCRIPTION	WT. (LBS)
HCR050	1/2" Crossover Relief Valve	7.0
HCR075	3/4" Crossover Relief Valve	7.0
HRV07516	Inline Relief Valve, #12 SAE, Preset at 1650 PSI	2.2
HFDL075	Flow Divider Lever Style, 0-30 GPM	7.8
HFDL075SAE	1/2" Crossover Relief Valve	7.7
HFD5050SAE	Flow Divider, 50/50 Split	6.0
HCVD08	1/2" NPT Double Check Valve	3.2
HCVD08SAE	1/2" SAE Double Check Valve	3.2

ELECTRIC PLOW POWER UNIT W/ ROCKER SWITCHES

- Complete power unit, includes pre-wired rocker switch control panel
- 3-way/4-way finger tip control for Power Up, Hold, and Gravity Down of the lift cylinder
- 4-way for angle plow positioning
- Cross-over reliefs protect angle cylinders in event of collision
- PU3593 mounts horizontally with a 1.3 qt reservoir. Replaces B683 and B693



PU3593

PU3593LRV

PART NO.	DESCRIPTION	WT. (LBS)
PU3593	Electric Plow Power Unit w/Push Button Valves, 1.3 Poly Reservoir	34
PU3593A**		36
PU3593LR*	Electric 4-Way/3-Way Valve DC Power Unit, Horizontal Steel	42
PU3593LRA**	.83 Gallon Reservoir	42
PU3593LRV*	Electric 4-Way/3-Way Valve DC Power Unit, 170 cu. in. 6" x 9" Vertical Steel .72 Gallon Reservoir	34

* Larger reservoir models recommended for full-size municipal plows

** Buyers Products Brand

ELECTRIC UNIT REPLACEMENT SOLENOIDS

- 80 AMP
- Continuous duty
- Ground activated



1306505

17757

PART NO.	DESCRIPTION	WT. (LBS)
1306505	Insulated - fits PU5007, PU5003	11.96
1306510	Grounded - fits PU3593	0.91
17757	3 Post Solenoid, 12V Start - fits PU3593	0.91

ELECTRIC PLOW POWER UNIT W/ MANUAL LEVERS

- 3-way/4-way manual valve for Power Up, Hold, and Gravity Down of lift cylinder
- Mounts horizontally
- 1.8 qt reservoir



PART NO.	DESCRIPTION	WT. (LBS)
PU5007	Electric Plow Power Unit w/ Manual Valves	35

ELECTRIC PLOW POWER UNIT WITH MANUAL LEVERS

- 3-way manual valve for Power Up, Hold, and Gravity Down of lift cylinder
- Mounts horizontally
- 1.8 qt reservoir



PART NO.	DESCRIPTION	WT. (LBS)
PU5003	Electric Plow Power Unit w/Manual Valve	32

PLOW COUPLER DRAIN VALVE

- Relieves plow coupler pressure to disconnect plow couplers more easily
- 1/2" ORB pressure ports
- 1/4" ORB return port
- Machined billet aluminum
- Anodized finish



PART NO.	DESCRIPTION
6241005	Plow Coupler Drain Valve

HYDRAULIC COUPLERS

- Quick Disconnect
- Stainless Steel
- Poppet Style Valve



B40002SS
Male & Female Set

NEW

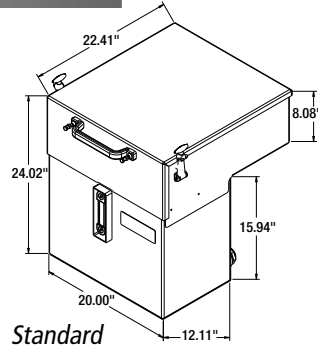
PART NO.	DESCRIPTION
B40002SS	Coupler Set Incl Male & Female, 1/4in NPTF, 1/4in Body
B40003SS	Coupler Set Incl Male & Female, 3/8in NPTF, 3/8in Body
B40004SS	Coupler Set Incl Male & Female, 1/2in NPTF, 1/2in Body
B40005SS	Coupler Set Incl Male & Female, 3/4in NPTF, 3/4in Body
B40006SS	Coupler Set Incl Male & Female, 1in NPTF, 1in Body
B400021SS	Male, 1/4in NPTF, 1/4in Body
B400022SS	Female, 1/4in NPTF, 1/4in Body
B400031SS	Male, 3/8in NPTF, 3/8in Body
B400032SS	Female, 3/8in NPTF, 3/8in Body
B400041SS	Male 1/2in NPTF, 1/2in Body
B400042SS	Female 1/2in NPTF, 1/2in Body
B400051SS	Male, 3/4in NPTF, 3/4in Body
B400052SS	Female, 3/4in NPTF, 3/4in Body
B400061SS	Male, 1in NPTF, 1in Body
B400062SS	Female, 1in NPTF, 1in Body

15 GALLON CENTRAL HYDRAULIC SYSTEM

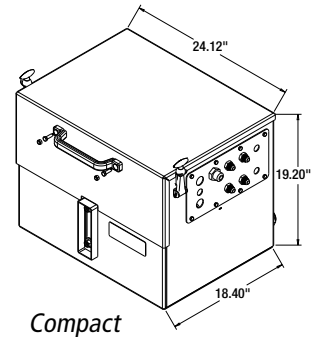
15 GALLON CENTRAL HYDRAULIC SYSTEMS

TANK FEATURES

- 304 Stainless steel reservoir for corrosion resistance
- Ported valves eliminate excessive plumbing
- Pre-plumbed for quick installation (standard)
- Includes:
 - In-tank return filter
 - Stainless steel strainer
 - Poly filler/breather assembly
 - Sight temperature and level gauge
 - Easily removed enclosure lid

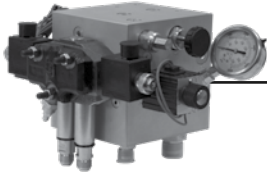









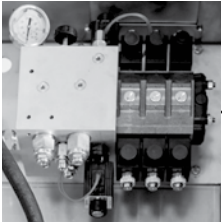







Standard



Compact

SYSTEM OPTIONS:

VALVING FUNCTIONS	PLOW/HOIST CONTROL	SPREADER CONTROL	RESERVOIR TYPE	SYSTEM PART NO.
4 FUNCTION: ELECTRIC ON/OFF 	 3030861 - Electric ON/OFF dump/hoist control	 HVC05 - Auger/conveyor, spinner controls with programmable blast	 3030999 - Standard	6381540
			 3047258 - Compact	6381542
			 3030999 - Standard	6381541
		 HVC06 - Auger/conveyor, spinner, and pre-wet controls with programmable blast with Garmin® GPS ground speed control	 3047258 - Compact	6381544
			 3031000 - Standard	6381560
			 3031000 - Standard	6381561
6 FUNCTION: ELECTRIC ON/OFF 	 HVESB - ON/OFF Electric dump/hoist and plow control	 HVC05 - Auger/conveyor, spinner controls with programmable blast	 3031000 - Standard	6381560
			 3050999 - Compact	6381564
		 HVC06 - Auger/conveyor, spinner, and pre-wet controls with programmable blast with Garmin® GPS ground speed control		

4 FUNCTION SYSTEMS - ELECTRIC/HYDRAULIC

PART NO.	DESCRIPTION
6381540	4 Function , 15 Gal. Capacity, Manual Spreader Control

Contains:

3030999	Reservoir, 15 Gal. Assembly, 4 Function
HVH20	20ft Wire Harness, Valve Side
3030867	20ft Wire Harness, Hoist Spool
3030861	Switch Box For HVE 1 Spool Valve
HVC05	Controller for HV715EP or HV1030EP
HVH8	8ft Wire Harness, Power Side
HVEH9	9ft Wire Harness for HVE Valves

PART NO.	DESCRIPTION
6381542	4 Function , 15 Gal. Capacity, Manual Spreader Control

Contains:

3047258	Compact Reservoir, 15 Gal. Assembly, 4 Function
HVH20	20ft Wire Harness, Valve Side
3030867	20ft Wire Harness, Hoist Spool
HVEH9	9ft Wire Harness for HVE Valves
3030861	Switch Box For HVE 1 Spool Valve
HVC05	Controller for HV715EP or HV1030EP
HVH9	8ft Wire Harness for HVC06

PART NO.	DESCRIPTION
6381541	4 Function , 15 Gal. Capacity, GPS Ground Speed Control

Contains:

3030999	Reservoir, 15 Gal. Assembly, 4 Function
HVH20	20ft Wire Harness, Valve Side
3030867	20ft Wire Harness, Hoist Spool
HVH9	8ft Wire Harness for HVC06
HVEH9	9ft Wire Harness for HVE Valves
3030861	Switch Box For HVE 1 Spool Valve
HVC06	Controller with Ground Speed Input
GPS1	GPS Unit with Converter and Connector

PART NO.	DESCRIPTION
6381544	4 Function , 15 Gal. Capacity, GPS Ground Speed Control

Contains:

3047258	Compact Reservoir, 15 Gal. Assembly, 4 Function
HVH20	20ft Wire Harness, Valve Side
3030867	20ft Wire Harness, Hoist Spool
HVH9	8ft Wire Harness for HVC06
HVEH9	9ft Wire Harness for HVE Valves
3030861	Switch Box For HVE 1 Spool Valve
HVC06	Controller with Ground Speed Input
GPS1	GPS Unit with Converter and Connector

6 FUNCTION SYSTEMS - ELECTRIC/HYDRAULIC

PART NO.	DESCRIPTION
6381560	6 Function , 15 Gal. Capacity, Manual Spreader Control

Contains:

3031000	Reservoir, 15 Gal. Assembly, 6 Function
HVH20	20ft Wire Harness, Valve Side
HVEH20	20ft Wire Harness, HVE 3 Spool
HVC05	Controller for HV715EP or HV1030EP
HVH8	8ft Wire Harness, Power Side
HVESB	Switch Box for HVE 3 Spool Valve
HVEH9	9ft Wire Harness for HVE 3 Spool Power

PART NO.	DESCRIPTION
6381561	6 Function , 15 Gal. Capacity, GPS Ground Speed Control

Contains:

3031000	Reservoir, 15 Gal. Assembly, 6 Function
HVH20	20ft Wire Harness, Valve Side
HVEH20	20ft Wire Harness, HVE 3 Spool
HVH9	8ft Wire Harness for HVC06
HVC06	Controller with Ground Speed Input
GPS1	GPS Unit with Converter and Connector
HVESB	Switch Box for HVE 3 Spool Valve
HVEH9	9ft Wire Harness for HVE Valves

PART NO.	DESCRIPTION
6381564	6 Function , 15 Gal. Capacity, GPS Ground Speed Control

Contains:

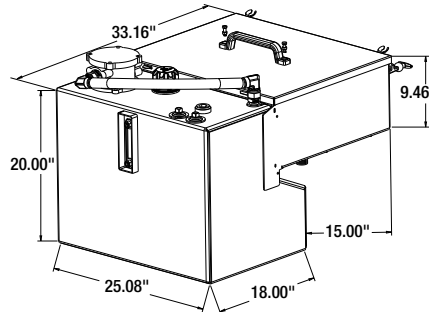
3050999	Compact Reservoir, 15 Gal. Assembly, 6 Function
HVH20	20ft Wire Harness, Valve Side
HVEH20	20ft Wire Harness, HVE 3 Spool
HVH9	8ft Wire Harness for HVC06
HVC06	Controller with Ground Speed Input
GPS1	GPS Unit with Converter and Connector
HVESB	Switch Box for HVE 3 Spool Valve
HVEH9	9ft Wire Harness for HVE Valves

30 GALLON CENTRAL HYDRAULIC SYSTEM

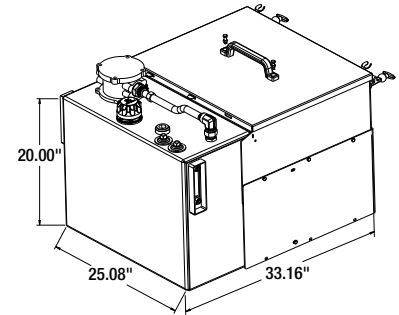
30 GALLON CENTRAL HYDRAULIC SYSTEMS

TANK FEATURES

- 304 Stainless steel reservoir for corrosion resistance
- Bottom ported valves eliminate excessive plumbing
- Pre-plumbed for quick installation
- Includes:
 - In-tank return filter
 - Stainless steel strainer
 - Poly filler/breather assembly
 - Sight temperature and level gauge
 - Easily removed enclosure lid



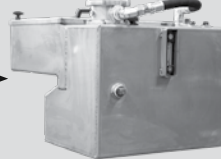

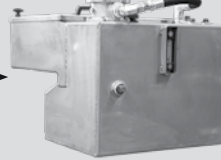

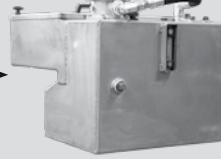










3034441 Reservoir



3041000 Reservoir

SYSTEM OPTIONS:

VALVING FUNCTIONS	PLOW/HOIST CONTROL & MOUNT	SPREADER CONTROL	RESERVOIR TYPE	SYSTEM PART NO.
6 FUNCTION: <i>AIR PROPORTIONAL</i>	Proportional air dump/hoist with neutral safety interlock and plow joystick control  console with floor base	 HVC06T	 3034441	6383060
		 HVC06T with GPS	 3034441	6383061
		 3039773	 3034441	6383065
6 FUNCTION: <i>ELECTRIC PROPORTIONAL</i>	Proportional electric dump/hoist with neutral safety interlock and plow joystick control  console with floor base	 3039773	 3041000	6383063
		 3039773	 3041000	6383064
		 console with seat mounted base	 3039773	 3041000

HYDRAULICS

6 FUNCTION SYSTEMS - AIR PROPORTIONAL

PART NO.	DESCRIPTION
6383060	6 Function , 30 Gal. Capacity, Air Proportional, No GPS, Floor Mounted Base
Contains:	
HVC06T	4.3" Touch Screen Spreader Controller
K70FDA	Dual Axis Feathering Air Control Valve
K70DFD	Single Lever Air Control Valve
HVH8	8ft Wire Harness, Power Side
HVH25	25ft Wire Harness, Valve Side
SK12	Body-Up Indicator Kit with Buzzer Light

PART NO.	DESCRIPTION
6383061	6 Function , 30 Gal. Capacity, Air Proportional, with GPS, Floor Mounted Base
Contains:	
HVC06T	4.3" Touch Screen Spreader Controller
K70FDA	Dual Axis Feathering Air Control Valve
K70DFD	Single Lever Air Control Valve
HVH8	8ft Wire Harness, Power Side
HVH25	25ft Wire Harness, Valve Side
SK12	Body-Up Indicator Kit with Buzzer Light
GPS1	GPS Unit with Converter and Connector

PART NO.	DESCRIPTION
6383065	6 Function , 30 Gal. Capacity, Air Proportional, No GPS, Seat Mounted Base
Contains:	
3039773	3 Channel Spreader Controller
K70FDA	Dual Axis Feathering Air Control Valve
K70DFD	Single Lever Air Control Valve
3039774	25ft Wire Harness, Main
3039775	4ft Wire Harness for 3039773
3045673	3ft Wire Harness, Spreader
SK12	Body-Up Indicator Kit with Buzzer Light

6 FUNCTION SYSTEMS - ELECTRIC PROPORTIONAL

PART NO.	DESCRIPTION
6383063	6 Function , 30 Gal. Capacity, Electric Proportional, No GPS, Floor Mounted Base
Contains:	
3039773	3 Channel Spreader Controller
3039777	Dual Axis 2 Button Joystick
3044940	Single Axis Joystick with Push Button
3039774	25ft Wire Harness, Main
3039775	4ft Wire Harness for 3039773
3039776	Programmable Plow Module
3039778	Wire Harness, Plow Module to Joystick
3045673	3ft Wire Harness, Spreader
SK12	Body-Up Indicator Kit with Buzzer Light

PART NO.	DESCRIPTION
6383064	6 Function , 30 Gal. Capacity, Electric Proportional, No GPS, Seat Mounted Base
Contains:	
3039773	3 Channel Spreader Controller
3039777	Dual Axis 2 Button Joystick
3044940	Single Axis Joystick with Push Button
3039774	25ft Wire Harness, Main
3039775	4ft Wire Harness for 3039773
3039776	Programmable Plow Module
3039778	Wire Harness, Plow Module to Joystick
3045673	3ft Wire Harness, Spreader
SK12	Body-Up Indicator Kit with Buzzer Light

OPTIONAL 6391308 - 8-Function "Smart Switch" Panel With Backlit Legends, LED Indicator Lights, 15A Load Rating Per Switch Can be used with all 30 Gallon CHS Systems. Installs in the Control Console

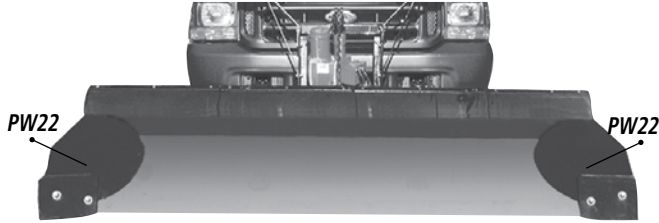


PART NO.	DESCRIPTION
6391308	8-Function "Smart Switch" Panel With Backlit Legends

PRO-WINGS SNOWPLOW EXTENSIONS

- Additional 20" of blade width
- Doesn't affect plow trip
- Fit most pickup-mounted snowplows
- Rubber edge

(Pro-Wings are not recommended for Meyer® 2 meter, Western® 8-1/2', or any brand 9' or 10' plows, except Meyer® 9'. Not recommended for polymer plows) U.S. Patent No. 4-962-600



PART NO.	DESCRIPTION
PW22	Pro-Wings

PART NO.	DESCRIPTION
0020500	Replacement Rubber for Pro-Wings
3001447	Mounting Kit with Curb/Drivers Sides

CUSTOM PRINTED SNOW DEFLECTORS

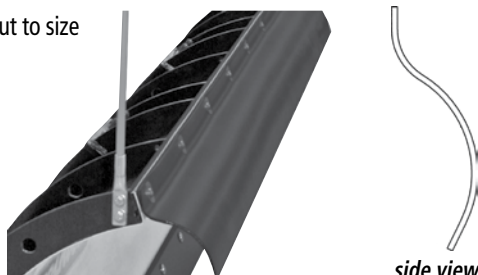
- 3/8" rubber/poly blend
 - 96" - 144" lengths available
 - 7" x 20" Max print size on 9" tall deflectors
 - 10" x 20" Max print size on 12" tall deflectors
- Inquire for pricing on custom printing*



PART NO.	DESCRIPTION
1320908	Plain Deflector, .35" x 9" x 96"
1320910	Plain Deflector, .35" x 9" x 120"
1321210	Plain Deflector, .35" x 12" x 120"
1321211	Plain Deflector, .35" x 12" x 132"
1321212	Plain Deflector, .35" x 12" x 144"

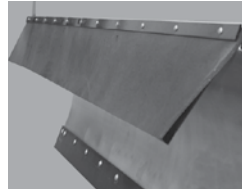
UHMWPE THERMOFORMED SNOW DEFLECTOR

Can be cut to size



PART NO.	DESCRIPTION
1309035	Universal Contoured, Thermoplastic Deflector, 3/16" x 8" x 108" w/Fastners

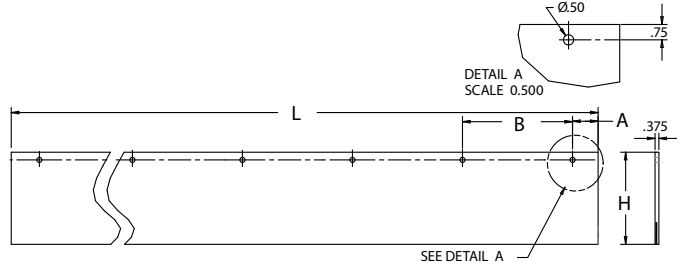
3/8" THICK BELTED RUBBER SNOW DEFLECTORS



- Universal heavy-duty
- Fasteners not included



close-up of belted rubber



PART NO.	DESCRIP- TION	L	H	A	B	NO. HOLES
1309046	Deflector, V-Plow	45.75	9	2.38	10.25	5
1309052	Deflector, V-Plow	51.75	9	2.38	11.75	5
1309080	Deflector	80	7	2.00	12.67	7
1309090	Deflector	90	7	3.00	12.00	8
1309096	Deflector	96	9	2.50	13.00	8
1309102	Deflector	102	9	2.63	10.75	10
1309108	Deflector	108	9	2.25	11.50	10
1309120	Deflector	120	12	3.75	10.25	11
1309132	Deflector	132	12	2.75	11.50	12
1309144	Deflector	144	12	—	—	0

BACKUP ALARMS



PART NO.	DESCRIPTION
BA0972	97 dB Backup Alarm
BA102	102 dB Backup Alarm
BA107	107 dB Backup Alarm

ROL-A-BLADE CASTER SET

- 3 Dollies per Set
- Heavy-duty powder coated base
- Independent, locking casters are replaceable
- Capacity: 350 lbs. per dolly
- Approx. size of one: 6.25" sq. x 4.75" H back, 3.5" H front
- Works for all brands and V-plows
- 2.38" wheel dia.



PART NO.	DESCRIPTION
1310410	Rol-A-Blade Caster Set
13104101	Caster Replacement Kit (3 standard, 1 locking)
H1310410H	Replacement Caster, Standard
H1310410D	Replacement Caster, Locking

PLOW ACCESSORIES

DRIVEWAY MARKERS



- 5/16" x 48"
- Orange fiberglass with highly reflective tape
- Pencil end rounded end
- Sold in cases of 36 markers priced as each
- Must be ordered in multiples of 36

PART NO.	DESCRIPTION	WT. (LBS)
1308600	Orange	.25

POLY SALT BOX

- Corrosion free construction
- Double panel sloped lid with integral hasp
- Fork lift slots
- Stackable
- 9031100: 36" W x 24" D x 30" H
- 9031105: 36" W x 24" D x 20" H (Ships UPS)



PART NO.	DESCRIPTION	WT. (LBS)
9031100	Poly Salt Box, 8.8 cubic ft.	28
9031105	Poly Salt Box, 5.8 cubic ft. (ships UPS)	21
9031110	Salt Scoop	2.5

HAND SALT SPREADER

- Ideal for snow and Ice melt, rock salt, fertilizer, seeds, weed killer, insect repellent
- 2.5 liter capacity
- 13" L x 5" W x 7" T
- Durable, black HDPE poly construction
- Adjustable fine-to-coarse flow gate
- Convenient wide mouth scoop fill or ¼ turn removable lid for pouring
- Sturdy handle grip



PART NO.	DESCRIPTION	WT. (LBS)
9031120	Hand Salt Spreader	1.5

MULTI-USE COMMERCIAL WORK GLOVES

- Durable, synthetic leather palm
- Comfortable, form fitting back
- Vented fingers and adjustable wrist closure



PART NO.	DESCRIPTION	WT. (LBS)
9901005	Large Pair*	0.23
9901010	X-Large Pair*	0.23
9901015	XX-Large Pair*	0.24

PART NO.	DESCRIPTION	WT. (LBS)
9901000	(10) Pair XL & (10) Pair XXL**	5.6

*Sold in bags of 10
**Shipped in retail display cut case

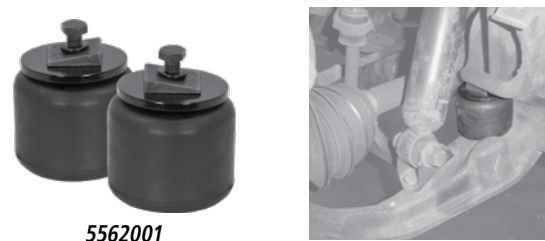
BUYERS BLACK KNIT HAT



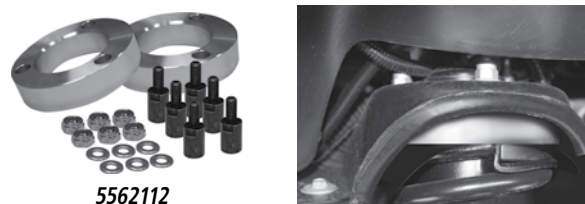
PART NO.	DESCRIPTION	WT. (LBS)
9901100	Hat, Black Knit	0.13

AUXILIARY FRONT SUSPENSION KIT FOR GM TRUCKS

- Increases load carrying ability
- Contains 2 springs, mounting brackets, hardware
- Visit www.buyersproducts.com for application guide



5562001



5562112

PART NO.	DESCRIPTION	OEM PART NO.
5562001	Auxiliary Front Suspension Kit for GM Trucks	Timbren™ GMFK25S
5562112	2" Suspension Leveling Kit, for 2007-2015 GM 1500 Silverado, Sierra 2WD & 4WD	-

LIGHTING AND ELECTRICAL ACCESSORIES

LED DOT SPREADER LIGHT BAR KITS

- Modular design fits all common tailgate sizes and spreaders
- LED lights standard for increased brightness, extended life & less amps
- Prewired lights save installation time and prevent wiring errors
- Corrosion-resistant 304 stainless steel construction
- Permanent mount and self-leveling hinge mounts included
- Ships fully assembled



8891144



8891145



8891166



8891167



8891168



8891169



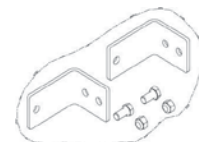
8891177



8891178

PART NO.	DESCRIPTION	WT.
8891144 (round)	44" LED Light Bar Kit (incl. SS Light bar, Wire Harness, (2) LED STT Lights, (2) LED Strobe Lights, (3) LED Marker Lights, (2) LED Load Equalizers)	21
8891145 (oval)	44" LED Light Bar Kit (incl. SS Light bar, Wire Harness, (2) LED STT Lights, (2) LED Strobe Lights, (3) LED Marker Lights, (2) LED Load Equalizers)	27
8891166 (round)	66" LED Light Bar Kit (incl. SS Light bar, Wire Harness, (2) LED STT Lights, (2) Backup Lights, (2) LED Strobe Lights, (3) LED Marker Lights, (2) LED Load Equalizers)	30
8891168 (oval)w	66" LED Light Bar Kit (incl. SS Light bar, Wire Harness, (2) LED STT Lights, (2) LED Strobe Lights, (3) LED Marker Lights, (2) LED Load Equalizers)	37
8891167 (round)	66" LED Light Bar Kit (incl. SS Light bar, Wire Harness, (4) LED STT Lights, (2) LED Strobe Lights, (3) LED Marker Lights, (2) LED Load Equalizers)	30
8891169 (oval)	66" LED Light Bar Kit (incl. SS Light bar, Wire Harness, (4) LED STT Lights, (2) LED Strobe Lights, (3) LED Marker Lights, (2) LED Load Equalizers)	37
8891177 (oval)	77" LED Light Bar Kit (incl. SS Light bar, Wire Harness, (2) LED STT lights, (2) LED Strobe lights, (2) LED Back-Up lights, (3) LED Marker lights, (2) LED Load Equalizers)	26
8891178 (oval)	77" LED Light Bar Kit (incl. SS Light bar, Wire Harness, (4) LED STT lights, (2) LED Strobe lights, (3) LED Marker lights, (2) LED Load Equalizers)	26

DOT SPREADER LIGHT BOXES



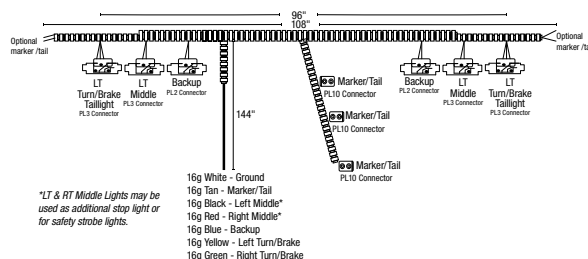
Hardware included:
PN- 3008896

PART NO.	DESCRIPTION	WT. (LBS)
LB8663SST (round)	Stainless Steel D.O.T. Spreader Light bar, 9-Hole Light Box, (8" x 3" x 66")	28
LB8665SST (oval)	Stainless Steel D.O.T. Spreader Light bar, 9-Hole Light Box, (8" x 3" x 66")	28
LB4773SST (oval)	Stainless Steel D.O.T. Spreader Light bar, 9-Hole Light Box, (4" x 3" x 77")	20

WIRE HARNESS FOR LIGHT BOXES

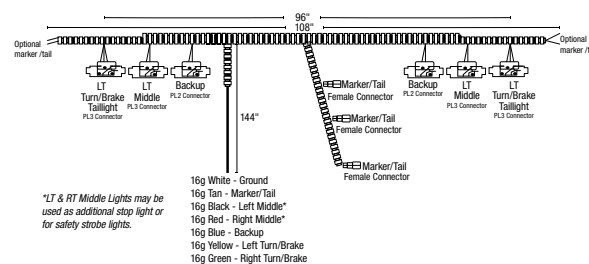
5609000

- Works with LB8443SST, 445, 663 & 665
- 12' Universal DOT Rear Wiring Harness - Comes with 4 PL-3 Connectors, 2 PL-2 Connectors, 3 PL-10 Connectors, 2 Optional Marker/Tail Connections
- For use with 44" & 66" Light Bars.



5609001

- Works with LB4663SST and LB4773SST
- 12' Universal DOT Rear Wiring Harness - Comes with 4 PL-3 Connectors, 2 PL-2 Connectors, 3 Female Bullet Connectors, 2 Optional Marker/Tail Connections.
- For use with 77" Light Bars.



PART NO.	DESCRIPTION	WT. (LBS)
5609000	7- & 9-Light Wire Harness, 12ft Lead	3.2
5609001	7- & 9-Light Wire Harness, Female Bullet on Markers	3.33

LIGHTS & ELECTRICAL

UNIVERSAL PLOW LIGHTS

HALOGEN PLOW LIGHT KIT WITH HARNESS

- Dual beam halogen headlamps with turn signal/parking light
- High-impact polycarbonate case
- Can be mounted with single or double post

KIT INCLUDES:

- Universal wiring harness with switch
- Single and double posts mounts
- Flasher and Connectors



PART NO. DESCRIPTION

1311100 Universal Light Kit

PART NO. DESCRIPTION

- 13111001 Driver Side Light
- 13111002 Passenger Side Light
- 13111003 Harness Kit Only for 1311100
- 1311110 Headlight Adapter for International®
- 1311101 Replacement Bulb, H1 High Beam
- 1311102 Replacement Bulb, H7 Low Beam
- 1311103 Replacement Bulb, Amber Park/Turn
- 13111008 Hardware Kit for One Light

REPLACEMENT PARTS

HEATED LED PLOW LIGHTS

- Heated, tempered glass lens
- Die cast aluminum housing
- 5300-6000K color temperature
- FMVSS108 compliant
- 6-pin Deutsch connector
- Single stud mount
- Comes with mating pigtail
- 12-36 VDC
- 24W, high beam
- 12W, low beam
- 12W, turn signal
- 2W, parking light



PART NO. DESCRIPTION

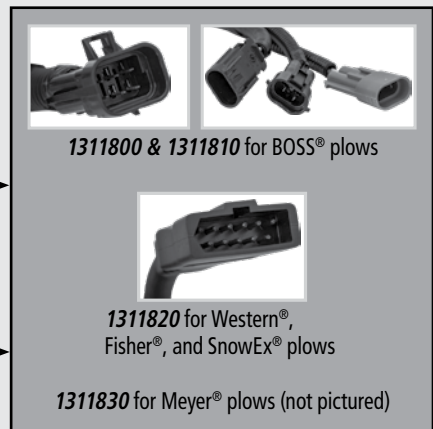
1312000 LED Plow Light

NEW PLOW LIGHT ADAPTERS

CHOOSE YOUR LIGHTING



CHOOSE YOUR OEM ADAPTER



LED Lights require additional 5-Pin to 6-Pin adapter.

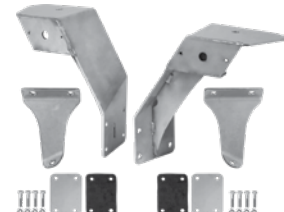
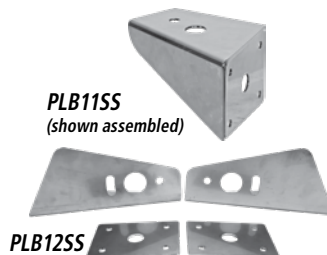


LIGHTS & ELECTRICAL

LIGHT BRACKETS FOR MUNI PLOWS

HOOD MOUNTED PLOW LIGHT BRACKETS

- Kit includes driver & passenger side brackets, gaskets & fasteners
- Stainless steel
- Universal fit for med./hvy. class truck hoods: Ford, Freightliner, GMC, International, Mack, Peterbilt, Sterling, Volvo
- PLB11SS fits single-post lights
- PLB12SS fits dual-post lights



PART NO.	DESCRIPTION	WT. (LBS)
PLB11SS	Unwelded Bracket	5.0
PLB12SS	Unwelded Bracket, Dual Post	7.5
PLB17SS	Plow Light Bracket Kit, fits Mack	15.76
NEW PLB18SS	Plow Light Bracket Kit, fits Freightliner M2-106	10.15



LOW PROFILE HEATED LED PLOW LIGHTS

- Heated, tempered glass lens
- Die cast aluminum housing
- 5200-5700K color temperature
- FMVSS108 compliant
- 6-pin Deutsch connector
- Dual post mount
- 12-24 VDC
- 45W, high beam
- 25W, low beam
- 12W, turn signal
- 6W, DRL (daytime running light)



PART NO.	DESCRIPTION
1312100	Low Profile LED Plow Light

HEATED LED PLOW LIGHTS W/ MODULAR PARK/TURN

- Multi-directional mounting for indicator
- Heated, tempered glass lens (22W)
- Die cast aluminum housing
- 5700K color temperature
- 6-pin Deutsch connector
- Single post mount
- 12-24 VDC
- 45W high beam, 25W low beam, 12W turn signal 3W position light



PART NO.	DESCRIPTION
1312200	Square LED Plow Light

OEM PLOW LIGHT HARNESS ADAPTERS

- Plug and play compatibility with BOSS®, Western®, Fisher®, SnowEx®, or Meyer® plows
- Works with existing plow harnesses with no splicing or cutting
- Adapters shown work with 1311000 and SnowDogg®, 16160700A, 16160800 and 16160900 lights.
- 1311890 5 to 6 pin adapter is required for use with 1312000, 1312100, and 1312200 LED lights



PART NO.	DESCRIPTION
1311800	BOSS® SL3 to SAM 5-Pin (1311100)
1311810	BOSS® SL2 to SAM 5-Pin (1311100)
1311820	Western®/Fisher®/SnowEx® to SAM 5-Pin (1311100)
1311830	Meyer® to SAM 5-Pin (13111000)
1311890	SAM 5-Pin to 6-Pin for 1312000, 1312100, 1312200

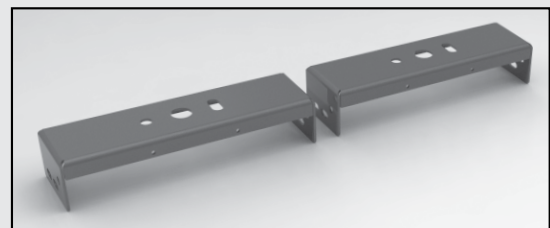
MIRROR MOUNTED PLOW LIGHT BRACKETS



PART NO.	DESCRIPTION	WT. (LBS)
PLB15SS	External Mirror Mount Bracket Kit, fits International Harvester HV507 Series	6.47
NEW PLB16SS	External Mirror Mount Bracket Kit, Dual Post, Use With 1311000, 1312100, SNOWDOGG	6.88

LIGHT MOUNT FOR BOSS® LIFT FRAME

- Mounts to standard BOSS® Lift Frame to work with all SAM aftermarket lights.



PART NO.	DESCRIPTION
PLB19	Dual Stud Light Mounts for BOSS® Lift Frame

BACKUP CAMERA SYSTEM WITH NIGHT VISION

- 7" TFT-LCD Color monitor
- Auto reverse "on"
- Audio
- Adjustable mounts
- 65' cable
- Heated night vision camera w/audio
- Wireless remote
- Supports Multiple Camera Feeds (Additional cameras and cables sold separately)



PART NO.	DESCRIPTION
8883000	Backup Camera System

BACKUP CAMERA SYSTEM WITH LICENSE PLATE NIGHT VISION CAMERA

- 7" TFT-LCD Color monitor
- Auto reverse "on"
- Adjustable mounts
- License plate night vision camera
- Wireless remote
- 65' cable
- Supports Multiple Camera Feeds (Additional cameras and cables sold separately)



PART NO.	DESCRIPTION
8883010	Backup Camera System w/License Plate Camera

BACKUP CAMERA SYSTEM WITH RECESSED NIGHT VISION CAMERA

- 7" TFT-LCD Color monitor
- Auto reverse "on"
- Adjustable mounts
- Recessed night vision camera
- Wireless remote
- 65' cable
- Supports Multiple Camera Feeds (Additional cameras and cables sold separately)



PART NO.	DESCRIPTION
8883020	Backup Camera System w/Recessed Camera

WIRELESS BACKUP CAMERA SYSTEM WITH WIRELESS NIGHT VISION CAMERA

- 7" TFT-LCD Color wireless monitor
- Auto reverse "on"
- Adjustable mounts
- Wireless night vision camera
- Wireless remote
- 65' cable
- Supports Multiple Camera Feeds (Additional cameras and cables sold separately)



PART NO.	DESCRIPTION
8883210	Backup Camera System, Wireless

QUAD SCREEN BACKUP CAMERA SYSTEMS

- 7" TFT-LCD Color quad screen monitor
- Heated night vision camera w/audio
- Auto reverse "on"
- Adjustable mounts
- Wireless remote
- 65' cable
- Supports Multiple Camera Feeds (Additional cameras and cables sold separately)



8883040



8883050
(128GB SD card incl. for DVR)

NEW 8883060
(128GB SD card incl. for DVR)

PART NO.	DESCRIPTION
8883040	Backup Camera System, Quad Screen
8883050	Backup Camera System Quad Screen, DVR
NEW 8883060	Backup Camera System, Quad Touch Screen, DVR, Blind Spot Detection

REARVIEW BACKUP CAMERA SYSTEM WITH MIRROR MONITOR

- 4.3 TFT-LCD Mirror Monitor replaces OEM mirror
- Illuminated touch screen buttons
- Compact, IP68 back-up camera with night vision



PART NO.	DESCRIPTION
8883030	Rear Observation System with Mirror Monitor

LIGHTS & ELECTRICAL

ACCESSORY CAMERAS



PART NO.	DESCRIPTION
8883101	Color Camera with Heated Night Vision and Audio
8883102	License Plate Mount Camera with Night Vision
8883103	Bullet Camera for Recessed Mount with Night Vision, Color
8883104	Surface Side Mount Camera, Color with Night Vision
8883105	Sphere Surface Mount Camera with Night Vision
8883106	Surface Mount Cube, Color with Night Vision
8883108	Dual Camera with Night Vision
8883110	Work Light with Built-In Backup Camera
8883211	Wireless Camera with Night Vision for 8883200 System
8883215	Wireless Camera with Night Vision for 8883210 System

ACCESSORY CAMERA CABLE



PART NO.	DESCRIPTION
8883116	Accessory Camera Cable, 16 ft
8883132	Accessory Camera Cable, 32 ft
8883165	Accessory Camera Cable, 65 ft
8883182	Accessory Camera Cable, 82 ft

CAMERA INTERFACE CABLES

- Connect your Buyers Products Backup Camera to your vehicle's OEM radio/display.
- Plug-and-play installation, no splicing required.
- 41" cable length
- The harness utilizes OEM quality connectors and terminals. Covered with PET Braided Sleeve for added protection and ease of installation.
- One packet of dielectric grease included.



PART NO.	DESCRIPTION
8883300	Cable, Camera Interface, 2019-2022 GM1500 W/T, Custom, LT Base w/ Bed and Factory Box Delete
8883301	Cable, Camera Interface, 2019-2024 RAM 2500-5500 Factory Box Delete, Cab Chassis
8883302	Cable, Camera Interface, 2017-2023 Ford 250/350/450/550/600 Cab Chassis, Factory Box Delete
8883303	Cable, Camera Interface, 2017-2023 Ford 250/350/450/550/600 Cab Chassis, Factory Box Delete
8883304	Cable, Camera Interface, 2017-2022 Ford 250/350/450
8883305	Cable, Camera Interface, 2023-2024 Ford 250/350/450
8883306	Cable, Camera Interface, 2019-2022 GM Colorado/Canyon W/T
8883307	Cable, Camera Interface, 2016-2019 GM 2500/3500, Cab Chassis
8883308	Cable, Camera Interface, 2019-2024 GM 4500-6500, International CV
8883309	Cable, Camera Interface, 2020-2023 GM 2500/3500, Cab Chassis
8883310	Cable, Camera Interface, 2019-2023 RAM 1500 Classic Pickup, 2013-2018 1500-3500 Pickup

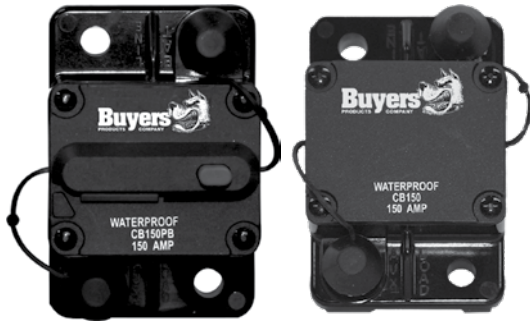
UNIVERSAL CAMERA WASHING SYSTEM



PART NO.	DESCRIPTION
8882150	Universal Camera Washing System

CIRCUIT BREAKERS

- For cranes, dump hoists, liftgates, plows, spreaders, etc.
- Auto reset or manual trip
- 1/4-28 stainless steel studs and nuts with rubber boots
- Rated IP67 for dust and water resistance



CB150PB

CB150

PART NO.	DESCRIPTION
CB30PB	30 Amp
CB50*	50 Amp
CB50PB	50 Amp
CB60*	60 Amp
CB60PB	60 Amp
CB80PB	80 Amp
CB90PB	90 Amp
CB100PB	100 Amp
CB120PB	120 Amp
CB150*	150 Amp
CB150PB	150 Amp
CB200PB	200 Amp

*Auto Reset

LARGE FRAME CIRCUIT BREAKERS

- Ideal for power distribution panels, tarp gear motors, cranes, winches, etc.
- Large frame with 3/8"-16 studs accommodates larger terminals
- Nickel finish brass studs w/rubber boots
- Rated IP67 for dust and water resistance



CB151PB

CB151

PART NO.	DESCRIPTION
CB151*	150 Amp
CB151PB	150 Amp
CB201*	200 Amp
CB201PB	200 Amp
CB251PB	250 Amp
CB300*	300 Amp

*Auto Reset

PANEL MOUNT CIRCUIT BREAKERS

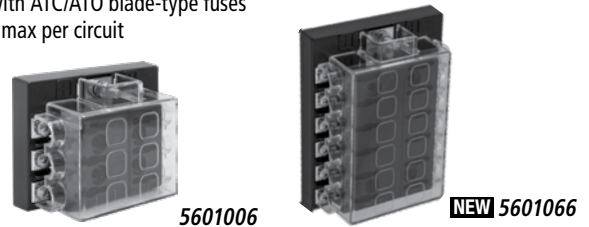
- Ideal for power distribution panels
- 1/4-28 Stainless steel studs
- Dimensions 2.92" L (top to bottom) x 1.91" W (left to right) x 2.09" H (studs to top of red button)
- Manual reset, push-to-trip
- Rated IP67 for dust and water resistance



PART NO.	DESCRIPTION
CB62PB	60 Amp
CB102PB	100 Amp
CB152PB	150 Amp
CB202PB	200 Amp

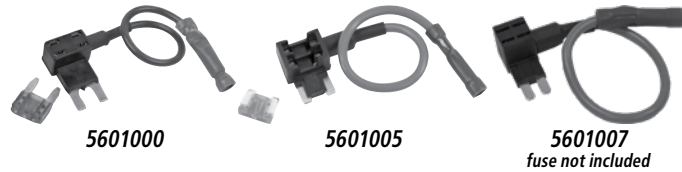
FUSE BLOCKS

- For use with ATC/ATO blade-type fuses
- 25 Amps max per circuit



PART NO.	DESCRIPTION
5601006	Fuse Block, 6-Way, with Cover
5601066	Fuse Block, 12-Way with Cover

DUAL FUSE TAP



PART NO.	DESCRIPTION
5601000	Dual ATM, Fuse Tap, 10 Amps Main 5 Amps Added, 12V
5601005	Dual ATM, Lo Profile, Fuse Tap, 10 Amps Main 5 Amps Added, 12V
5601007	Dual Micro ATR, Fuse Tap, 10 Amps Main 5 Amps Added, 12V
5601010	Dual ATO/ATC, Fuse Tap, 10 Amps Main 5 Amps Added, 12V

BATTERY BOLT ADAPTERS



PART NO.	DESCRIPTION	WT. (LBS)
BA1	Side Terminal, Short	.056
BA2	Side Terminal, Long	0.12

LIGHTS & ELECTRICAL

LIGHTING AND ELECTRICAL ACCESSORIES

JUMPER CABLES WITH QUICK CONNECT, 1000 AMP

- 25' Booster cable plus 7.5' battery side cable with quick connects (included)
- 1 AWG insulated cable
- 1000 Amps
- for Medium and Heavy Class diesel trucks and off-road construction equipment

Black Quick Connector



PART NO. DESCRIPTION

5601033	Jumper Cables Kit with Gray Quick Connect, 32.5 ft.
5601018	Black Plug-In Quick Connect Replacement Kit
5601023	7.5' Battery Side Cable with Black Plug-In Quick Connect

JUMPER CABLES WITH QUICK CONNECT, 800 AMP

- 25' Booster cable plus 7.5' battery side cable with quick connects (included)
- 1 AWG insulated cable
- 800 Amps

Red Quick Connector



PART NO. DESCRIPTION

5601032	Jumper Cables Kit with Gray Quick Connect, 32.5 ft.
5601017	Red Plug-In Quick Connect Replacement Kit
5601022	7.5' Battery Side Cable with Red Plug-In Quick Connect

JUMPER CABLES WITH QUICK CONNECT, 600 AMP

- 22' Booster cable plus 6' battery side cable with quick connects (included)
- 4 AWG insulated cable
- 600 Amps

Blue Quick Connector*

Gray Quick Connector*



5601026 Kit

PART NO. DESCRIPTION

5601025	Jumper Cables Kit with Gray Quick Connect, 28 ft.
5601026	Jumper Cables Kit with Blue Quick Connect, 28 ft.
5601015	Gray Quick Connect Replacement Set
5601016	Blue Quick Connect Replacement Set
5601020	6' Battery Side Cable with Gray Quick Connect
5601021	6' Battery Side Cable with Blue Quick Connect

* Blue or Grey connectors only work with same color

SWITCH WITH FLASH PATTERN CONTROL

- 15' prewired cable
- 10 amps
- On/off rocker switch
- Momentary flash pattern control button
- Universal



PART NO. DESCRIPTION

6391215	Switch, w/Flash Pattern Control
---------	---------------------------------

SWITCH PANELS

- Open aluminum switch panel
- Illuminated red rocker switch
- Pre-wired, with blade type fuses
- 14 function labels included



6391001



6391004

PART NO. DESCRIPTION

6391001	Single
6391002	Double
6391003	Triple
6391004	Quad
6391101	Rocker Switch Only

MINI ROUND ROCKER SWITCHES



6391100



6391102



6391103



6391105

PART NO. DESCRIPTION

6391100	ON-OFF, Illuminated
6391102	ON-OFF Mini Round
6391103	ON-OFF-ON Mini Round
6391105	Momentary (ON)-OFF

REPLACEMENT HEADLAMP SWITCH



PART NO. DESCRIPTION

1311006	Hi/Off/Low Toggle Switch
---------	--------------------------

WT.
(LBS)

0.1

SWITCH BOXES

- Illuminated red rocker switches w/ blade type fuses
- 14 Interchangeable snap-in backlit function nameplates
- Pre-Wired with 24" lead
- Black powder-coated steel box with adjustable mounting bracket



6391104



6391106

PART NO. DESCRIPTION

6391104	Switch box, 4-function
6391106	Switch box, 6-function
6391101	Rocker Switch Only

LIGHTS &
ELECTRICAL

LED RECTANGULAR MINI LIGHT BAR

- 24 LED, 10 flash patterns
- 15' cord
- 10 flash patterns
- 11" x 6.5" x 2.25"
- 2 Amps
- Permanent & magnetic mount standard



PART NO. DESCRIPTION

8891040	12-VDC, Amber
8891042	12-VDC, Amber/Clear
8891049	12-VDC, Amber/Green

LED RECTANGULAR MINI LIGHT BAR

- SAE J845 Class 1
- 48 LED, 4 flash patterns
- 15' cord
- 11" x 3.5" x 5.75"
- 3.5 Amps
- magnetic mount



PART NO. DESCRIPTION

8891050	12-VDC, Amber
8891052	12-VDC, Amber/Clear
NEW 8891059	12-VDC, Amber/Green

LED RECTANGULAR MINI LIGHT BAR

- SAE J845 Class 1
- 18 LED
- 19 flash patterns
- 3.2 Amps
- 15' cord
- 2 vacuum magnetic mounts std.
- 16.7" x 6.9" x 2.9"



PART NO. DESCRIPTION

8891090	12-24 VDC, Amber
8891092	12-VDC, Amber/Clear
8891099	12-VDC, Amber/Green
8891091	Permanent Mounting Brackets

LED RECTANGULAR WIRELESS MINI LIGHT BAR

- SAE J845 Class 1
- 84 LED, 7 flash patterns
- 11.5' charging cord
- 12" x 6.2" x 2.32"
- 2.5 Amps
- Rechargeable
- Remote Key Fob w/On-Off & Flash Pattern Control



PART NO. DESCRIPTION

8891031	Wireless 12-VDC, Amber
NEW 8891032	Wireless 12-VDC, Amber/Clear
NEW 8891039	Wireless 12-VDC, Amber/Green

LED OVAL DUAL COLOR MINI LIGHT BAR

- SAE J845 Class 1
- 72 LEDs
- 26 flash patterns
- 15.74" x 6.77" x 1.45"
- Permanent and magnetic mount
- 3 Amps @ 12VDC
- 15' cord



PART NO. DESCRIPTION

8891160	12-24VDC, Amber/Clear
8891161	12-24VDC, Amber/Blue
NEW 8891162	12-24VDC, Amber/Green

LED OVAL MINI LIGHT BAR

- SAE J845 Class 1
- 40 LED
- 20 flash patterns
- 9.9" x 6.7" x 1.6"
- Permanent and magnetic mount
- 3.34 Amps
- 15' cord



PART NO. DESCRIPTION

8891080	12-24VDC, Amber
8891082	12-24VDC, Amber/Clear
NEW 8891089	12-24VDC, Amber/Green

LED OVAL MINI LIGHT BAR

- SAE J845 Class 1
- 12-24 VDC
- 3.52 Amps
- 48 LED
- 10 flash patterns
- 15' cord
- 15.75" x 8.75" x 1.87"
- Permanent and magnetic mount



PART NO. DESCRIPTION

8891110	12-24VDC, Amber
8891111	12-24VDC, Amber/Clear
NEW 8891119	12-24VDC, Amber/Green

LED OCTAGONAL MINI LIGHT BAR

- SAE J845 Class 1
- 30 amber LED, clear outer lens
- 3.6 Amps
- 4 magnetic feet
- 15' cord
- 25 flash patterns
- 16.6" x 11" x 2.6"



PART NO. DESCRIPTION

8891100	12-24 VDC Amber
8891102*	12-24 VDC Amber/Clear
NEW 8891109	12-24 VDC Amber/Green
8891010	Permanent Aluminum Mounts

*Multi-colored lights are not SAE J845 Class 1 rated.

LIGHTS & ELECTRICAL

LED OCTAGONAL MINI LIGHT BAR

- SAE J845 Class 1
- 56 LED
- 10 flash patterns
- 15' cord
- 3.2 Amps
- 15" x 8.25" x 3"
- Permanent & magnetic mount standard



PART NO. DESCRIPTION

8891060	12-24VDC, Amber
8891062	12-24VDC, Amber/Clear

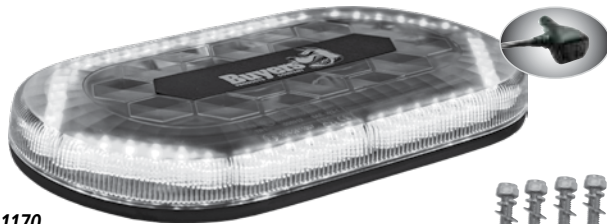
NEW 8891068 12-24VDC, Amber/Blue

NEW 8891069* 12-24VDC, Amber/Green

*Available 4th quarter

LED OVAL MINI LIGHTBAR

- SAE J845 Class 1
- 12-24 VDC
- 2.63 Amps
- 48 LED
- 10 flash patterns
- 15' cord
- 12.8" x 7.25" x 1.93"
- Permanent and magnetic mount



Permanent mounting studs and magnetic mounts

PART NO. DESCRIPTION

8891170	12-24VDC, Amber
8891172	12-24VDC, Amber/Clear
8891179	12-24VDC, Amber/Green

PRO SERIES DRILL-FREE LIGHT BAR MOUNT



PART NO. DESCRIPTION

8895560	Ford F150 (2015+), F250-550 (2017+); Ranger Supercrew (2019+)
---------	---

NEW 8895580 GMC 1500-4500 LT/LD w/ Cab Spoiler (2020+)

NEW 8895590* RAM 1500 Classic, 2500-5500 (2019+ All Models)

*Available 4th quarter

FLEET SERIES DRILL-FREE LIGHT BAR MOUNT

- No-Drill, 3rd brake aluminum (8895553 is steel) light mount eliminates mounting holes in roof of cab
- Formed one-piece design for quick install
- 22" L x 10" deep mounting platform is pre-punched to accommodate a wide range of mini-lightbars and beacons
- Light-weight, aluminum construction with black powder-coated finish
- 7/8" low profile mounting surface
- 30 lb capacity



PART NO. DESCRIPTION

8895551* Ford F-150, 2015+, F-250 – F-550, 2017+

NEW 8895553* Ford F-150, 2015+, F-250 – F-550, 2017+, Fleet Series, Steel mount

8895554 2020 GM/Chevy 1500-3500, for Work Truck Cab

8895556 2019+ RAM 1500 Classic, 2500-5500 All Models

*Does not fit cabs with LED 3rd brake lights

DRILL-FREE LIGHT BAR MOUNT

- Drill-Free mount eliminates holes in roof of cab
- 22" x 10" (8895115 & 8895152 is 20") platform accommodates a wide range of light bars, beacons, worklights, antennas, etc.
- Light-Weight aluminum construction
- 30 lb. Capacity



PART NO. DESCRIPTION

8895100 Chevy/GMC 1500-3500 (2014-2018, All Models), 1500-3500 (2019 All Models)

8895105 Chevy Colorado-GMC Canyon (2015-2022)

8895115 Chevy/GMC 1500-4500 LT/LD with Spoiler (2020+)

8895120 Chevy/GMC 1500-3500 Work Truck Cab (2020+)

NEW 8895125 Chevy Silverado EV (2024)

8895152 Ford F-150 (2015+), Ford F-250-550 (2017+) **Replaced 8895150**

8895153 Ford Ranger (2019+)

8895155 Ford Maverick (2022+)

8895250 Ford SuperDuty with Legacy Steel Cab F-250-550 (2006-2016)

8895301 Dodge/RAM 1500 Classic/2500-5500 All Models (2019+)

8895302 Dodge/RAM 1500 NOT Classic (2019+)

NEW 8895405 Nissan Frontier (2023+)

LED WARNING LIGHT BARS WITH WIRELESS REMOTE

- SAE J845 Class 1
- 12-24 VDC
- 136 LED, 13 flash patterns
- Comes with wireless remote
- 25' cable
- Feet and strap kit



5-YEAR
W



PART NO. DESCRIPTION

WARNING LIGHTS

8893048	48" Light Bar, Amber
8893148	48" Light Bar, Amber/Clear

NEW 8893460	60" Light Bar, Amber
-------------	----------------------

NEW 8893560	60" Light Bar, Amber/Clear
-------------	----------------------------

WARNING / CLEAR TAKE DOWNS & ALLEY LIGHTS

NEW 8893248	48" Light Bar, Amber
-------------	----------------------

NEW 8893348	48" Light Bar, Amber/Clear
-------------	----------------------------

NEW 8893660	60" Light Bar, Amber
-------------	----------------------

NEW 8893760	60" Light Bar, Amber/Clear
-------------	----------------------------

WARNING / CLEAR TAKE DOWNS & ALLEY LIGHTS / REAR FACING TURN SIGNALS

NEW 8893860	60" Light Bar, Amber
-------------	----------------------

NEW 8893960	60" Light Bar, Amber/Clear
-------------	----------------------------

REPLACEMENT PARTS

3046140	Replacement Remote
---------	--------------------

LED DASHBOARD MINI LIGHT BAR

- 8 LEDs
- 19 flash patterns
- Dashboard mount with suction cups
- 1.26" x 8.03" x 3.55"



1-YEAR
W

PART NO. DESCRIPTION

8891023	12-24 VDC Amber
8891026	12-24 VDC Amber/Clear

LED TRAFFIC ADVISOR/STROBE WITH FLOOD LIGHT

- 50 Flash Patterns
- 1 Flood / 16 Traffic
- 12-24 VDC
- IP67
- 25' Cable

8894134

96 LED
33.7" x 2.1" x 1.26"

8894142

108 LED
41.7" x 2.1" x 1.26"

5-YEAR
W



PART NO.	DESCRIPTION	WT. (LBS)
8894134	96 LED Amber/Clear	5.5
8894142	108 LED Amber/Clear	6.6

57" LED ARROW LIGHT BAR

- 18 LED Light Arrow with adjustable ends
- In-cab controller with LED flash pattern simulation
- 12-24 VDC
- 25' Cable

NEW

5-YEAR
W



PART NO.	DESCRIPTION
8894060	12-24 VDC Amber

LED RECHARGABLE STROBE LIGHT/ROAD FLARE

- 16 orange LEDs
- 9 flash patterns & steady-on flashlight
- 12V/110V rechargeable
- Rated IP67 for dust and water resistance
- Magnetic base
- USDOT compliant
- 1.250" x 4.250"



KITS INCLUDES:

- 4 or 6 Orange LED flares
- Rechargeable accessories included:
 - AC 120V, 12V accessory power plug,
 - Storage case with charging indicator

PART NO.	DESCRIPTION
8891016	Rechargeable LED Road Flare
8891017	Rechargeable LED Road Flare, 4-Pack
8891018	Rechargeable LED Road Flare, 6-Pack

LIGHTS & ELECTRICAL

LIGHTING AND ELECTRICAL ACCESSORIES

CLASS 1 6.5" X 5"/6.3" LED BEACONS

- 12-24VDC
- 1.5 Amps
- 11 flash patterns
- 6.5" dia. x 5" Tall (SL665A is 6.3" Tall)



SL645ALP

SL665A



PART NO.	DESCRIPTION
SL645ALP	Amber, 10' auxiliary plug
SL665A	Amber, 10' auxiliary plug

CLASS 1 6.5" X 5" LED BEACONS

- SAE J595 Class 1
- 12-24VDC
- 1.5 Amps
- 15 flash patterns
- 6.625" dia. x 4.875" Tall
- 10' cord on SL675A
- 9" wires on SL685ALP



SL675ALP/SL685ALP



PART NO.	DESCRIPTION
SL675ALP	Amber, Magnetic
SL685ALP	Amber, Permanent

CLASS 1 6.5" X 6.5" LED BEACONS

- SAE J845 Class 1
- CA13
- 12-24VDC
- 1.5 Amps
- 15 flash patterns
- 6.25" dia. x 6.625" Tall
- 10' cord on SL675A
- 12" wires on SL685ALP



SL695A/SL696A



PART NO.	DESCRIPTION
SL695A	Amber, Magnetic
SL696A	Amber, Permanent

CLASS 1 5" X 4" LED BEACON

- SAE J845 Class 1
- 12-24VDC
- 1.3 Amps
- 32 LED
- 5.125" x 3.75"
- 10" blunt cut ends
- 8 flash patterns



PART NO.	DESCRIPTION
SL502A	Amber, Magnetic/Permanent

5" X 4" LED BEACON

- 12-24VDC
- .60 Amps
- 40 LED
- 5.12" x 3.74"
- 10' cord
- 2 flash patterns: strobe & rotating



PART NO.	DESCRIPTION
SL501A	Amber, Magnetic

CLASS 1 LOW PROFILE 6" LED BEACONS

- 12-24VDC
- 1 Amp
- 12 LED
- 5.9" x 2.17"
- 13" cord
- 3 flash patterns



SL550ALP



SL551ALP



PART NO.	DESCRIPTION
SL550ALP	Permanent or Magnetic Mount, 15' ON/OFF Switch
SL551ALP	Permanent Mount, 13" Blunt Cut

CLASS 2 LED MICRO BEACONS

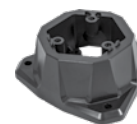
- 12VDC
- 1.3 Amp
- 18 LED
- SL575ALP is 3" wide x .875" tall
- SL576ALP is 3" wide x 1.75" tall
- 132 flashes per min.



SL575ALP



SL576ALP



3048064



PART NO.	DESCRIPTION
SL575ALP	Perm. Mount Class 2, Amber
SL576ALP	Mag. Mount Class 2, Amber
3048064	Beacon Riser Mount

SELF ADHESIVE MAGNETIC MOUNT PAD FOR ALUMINUM CABS

- Allows use of magnetic light mounts even on aluminum truck cabs
- Strong and durable 3M® tape will stay stuck to your truck even through demanding weather
- Black powder-coated finish for style and durability



8895400



PART NO.	DESCRIPTION
8895400	Self Adhesive Magnetic Mount Pad for Aluminum Cabs, Single
8895404	Self Adhesive Magnetic Mount Pad for Aluminum Cabs, 4 Pack

5" X 4" INCANDESCENT BEACON STROBE

- 1.7 joules
- 90 FPM/10-Flash
- 10' cord
- 4" dia. x 3" tall
- .3 Amps



1-YEAR
W

GREAT
VALUE

PART NO.	DESCRIPTION
SL500A	12-24V Amber Ministrobe, Multi-Mount
3025443	Replacement Flash Tube

6" X 5" INCANDESCENT BEACON STROBE

- Replaceable "U" shaped flash tube rated at 1.7 joules
- 6" dia. x 4-3/4" tall
- 10' cord
- 12 VDC
- .3 Amps



1-YEAR
W

PART NO.	DESCRIPTION
SL650A	Mag-Mount 12-110V Multi-Volt Strobe

INCANDESCENT DUAL FLASH STROBES

- 8 joules, 80FPM/dual flash
- 12 VDC
- 1.5 Amps
- 3-bolt or pipe-style mounting
- 6-5/16" dia. x 6-5/16" tall (SL640ALP is 4-3/4" tall)
- Replaceable bulb



1-YEAR
W

PART NO.	DESCRIPTION
SL640ALP	Permanent Mount
SL660A	Permanent Mount

PART NO.	DESCRIPTION
3016342	Repl. Flash Tube for SL640ALP, SL660A

5.5" HALOGEN REVOLVING LIGHT

- Includes 10' coiled power cord, auxiliary plug adapter and a backup replacement bulb.
- 7" x 5.25"



1-YEAR
W

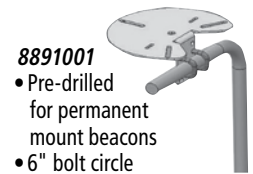
GREAT
VALUE

PART NO.	DESCRIPTION
RL650A	12V, Mag-Mount Amber Safety Light

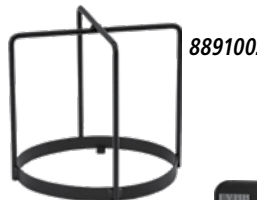
BEACON MOUNTING BRACKETS & BRUSH GUARD



- B210880**
- 3/16" Black powder-coated steel
 - 9" W x 7-5/8" T



- 8891001**
- Pre-drilled for permanent mount beacons
 - 6" bolt circle



8891002



- 8891003**
- 10.5" x 6.88" x 6.63"



8895400/8895404



8895400 shown with SL695A Beacon and 8895400 Lightbar

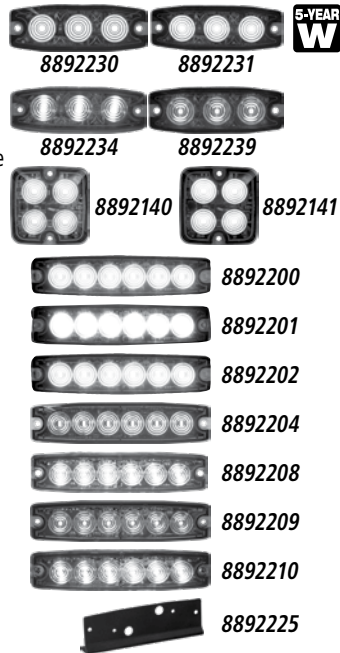
PART NO.	DESCRIPTION
B210880	Self-Leveling Bracket
8891001	SS Mirror Mount Bracket
8891002*	Beacon Brush Guard
8891003	Beacon Mount Bracket, SST
8895400	Magnetic Mount Plate, Self Adhesive
8895404	Magnetic Mount Plate, Self Adhesive (4-pack)

*Works with SL630A, SL640ALP, SL645ALP, SL645CLP, SL646ALP, SL675ALP, SL685ALP, SL695A, SL696A

LIGHTING AND ELECTRICAL ACCESSORIES

ULTRA-THIN LED STROBE LIGHTS

- 3, 4 and 6 high power LEDs available
- Clear polycarbonate lens
- Amps @ 12V: 3 LED - 0.54 Amps, 4 LED - 0.65, 6 LED - 0.50
- Flash patterns: 3 LED - 12 patterns, 4 & 6 LED - 23 patterns
- Aluminum housing w/3M VHB self-adhesive tape and mounting hardware
- IPX8 Waterproof
- Retail packaging



PART NO.	DESCRIPTION	SAE J595 CLASS 1, CA13 RATING
3 LEDs (3.5")		
8892230	3 Amber LEDs	Y
8892231	3 Clear LEDs	Y
8892233	3 Red LEDs	Y
8892234	3 Blue LEDs	Y
8892239*	3 Green LEDs	-
8892232	90° Mounting Bracket, Black Alum.	
4 LEDs (2.5")		
8892140	4 Amber LEDs	Y
8892141	4 Clear LEDs	Y
4 LEDs (4.5")		
8892240	4 Amber LEDs	Y
8892241	4 Clear LEDs	Y
8892243	4 Red LEDs	Y
8892242*	4 Amber/ 2 Clear LEDs	-
8892244	4 Blue LEDs	Y
8892245	2 Red / 2 Blue LEDs	Y
8892248*	2 Amber / 2 Blue LEDs	-
8892249*	4 Green LEDs	-
8892250*	2 Amber / 2 Green LEDs	-
8892255	90° Mounting Bracket, Black Alum.	
6 LEDs (5")		
8892200	6 Amber LEDs	Y
8892201	6 Clear LEDs	Y
8892202*	3 Amber / 3 Clear LEDs	-
8892203	6 Red LEDs	Y
8892204	6 Blue LEDs	Y
8892205	3 Red / 3 Blue LEDs	Y
8892206	3 Amber / 3 Red LEDs	Y
8892207	3 Clear / 3 Red LEDs	Y
8892208*	3 Amber / 3 Blue LEDs	-
8892209*	6 Green LEDs	-
8892210*	3 Amber / 3 Green LEDs	-
8892225	90° Mounting Bracket, Black Alum.	

*No class rating

ULTRA THIN DUAL ROW 5" STROBE LIGHTS

- 12 High power LEDs available
- Clear polycarbonate lens
- 1.5 Amps @ 12V
- 30 flash patterns
- Aluminum housing w/3M VHB self-adhesive tape and mounting hardware
- IPX7 waterproof
- SAE J595 Class 1 unless noted (*)
- Retail packaging



PART NO.	DESCRIPTION
8890400	12 Amber LEDs
8890402*	6 Amber / 6 Clear LEDs
8890410*	6 Amber / 6 Green LEDs

*No class rating

ULTRA THIN WIDE ANGLE LED STROBE LIGHTS

- 6 and 12 high power LEDs available
- 12-24VDC
- .88A MIN/1.76A MAX
- IPX8 waterproof rating
- 16 flash patterns for solid color lights / 26 for dual colors
- Multi-unit synchronizing & alternating functions
- 9.5" blunt cut leads
- Black bezel and mounting hardware incl.
- SAE J595 Class 1 unless noted (*)



PART NO.	DESCRIPTION
6 LEDs (4")	
8890600	6 LED, Amber, 4"
8890601	6 LED, Clear, 4"
12 LEDs (5")	
8890300	12 LED, Amber, 5"
8890301	12 LED, Clear, 5"
8890302	12 LED, Clear/Amber, 5"
8890307	12 LED, Clear/Red, 5"
8890308	12 LED, Amber/Blue, 5"
8890310	12 LED, Green/Amber, 5"
8890320	Bezel, Chrome for 5"

TRI-COLOR WIDE ANGLE STROBE LIGHTS

- 9 or 18 LEDs
- 12 VDC
- 28 Flash Patterns
- IP67 waterproof
- SAE J595 Class 1, SAE J845 Class 1 (Amber Only)
- Retail packaging

NEW

5-YEAR W



PART NO.	DESCRIPTION
8890929	3-1/2" Amber/Green/White
8891829	5" Amber/Green/White

THIN 3.5" HORIZONTAL LED STROBE LIGHTS

- SAE J595 Class 1*
- Rated IP67 for dust and water resistance
- CA13
- 12-24 VDC
- 12 flash patterns

5-YEAR W



PART NO.	DESCRIPTION
8892300	3 LED, Amber, Horizontal
8892301	3 LED, Clear, Horizontal
8892320	Chrome Bezel for 8892300 Series Strobes
8892321	White Bezel for 8892300 Series Strobes

*Strobes must be mounted in correct orientation to achieve Class 1 rating

THIN 4.5" HORIZONTAL DUAL COLOR LED STROBE LIGHTS

- SAE J595 Class 1
- Rated IP67 for dust and water resistance
- CA13
- 12-24 VDC
- Aluminum housing
- 28 flash patterns

5-YEAR W



PART NO.	DESCRIPTION
8892102	6 Clear / 6 Amber LEDs
8892108	6 Amber / 6 Blue LEDs
8892109	6 Amber / 6 Green LEDs
8891920	Chrome Bezel
8891921	White PVC Bezel
8891925	90° Mounting Bracket, Black Alum.

*Multi-colored lights are not SAE J595 Class 1 rated. Strobes must be mounted in correct orientation to achieve Class 1 rating. **No class rating

THIN 4.5" HORIZONTAL LED STROBE LIGHTS

- SAE J595 Class 1*
- Rated IP67 for dust and water resistance
- CA13
- 12-24 VDC
- Aluminum housing
- 19 flash patterns

5-YEAR W



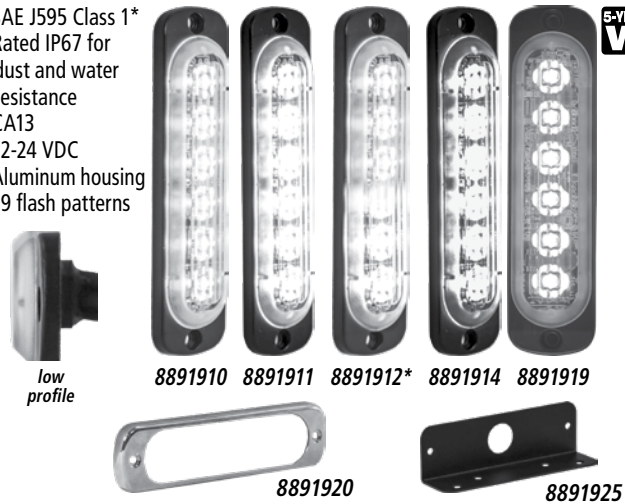
PART NO.	DESCRIPTION
8891900	6 LED, Amber, Horizontal
8891901	6 LED, Clear, Horizontal
8891902*	6 LED Amber/Clear, Horizontal
8891904	6 LED, Blue, Horizontal
8891909**	6 LED, Green, Horizontal
8891920	Chrome Bezel
8891925	90° Mounting Bracket, Black Alum.

*Multi-colored lights are not SAE J595 Class 1 rated. Strobes must be mounted in correct orientation to achieve Class 1 rating. **No class rating

THIN 4.5" VERTICAL LED STROBE LIGHTS

- SAE J595 Class 1*
- Rated IP67 for dust and water resistance
- CA13
- 12-24 VDC
- Aluminum housing
- 19 flash patterns

5-YEAR W



PART NO.	DESCRIPTION
8891910	6 LED, Amber, Vertical
8891911	6 LED, Clear, Vertical
8891912*	6 LED Amber/Clear, Vertical
8891914	6 LED, Blue, Vertical
8891919**	6 LED, Green, Vertical
8891920	Chrome Bezel
8891925	90° Mounting Bracket, Black Alum.

*Multi-colored lights are not SAE J595 Class 1 rated. Strobes must be mounted in correct orientation to achieve Class 1 rating. **No class rating

LIGHTS & ELECTRICAL

THIN DUAL ROW 4.5" LED STROBE LIGHTS

- 12 High power LEDs
- Black die cast aluminum base
- 25 Selectable flash patterns
- Can be wired for synchronized or alternating flash
- Meets SAE J595 Class 1
- IPX8 Waterproof rated
- 12-24V, 1.56 Amps, 18.5 Watts
- Mounting hardware included
- Retail packaged
- 5-Year warranty



PART NO.	DESCRIPTION
8892600	12 Amber LEDs
8892601	12 Clear LEDs
8892602*	6 Amber/6 Clear LEDs
8892609**	12 Green LED
8892620	Chrome Bezel

*Multi-colored lights are not SAE J595 Class 1 rated.

**No class rating

DUAL ROW 5" STROBE LIGHTS

- SAE J595 Class 1*
- Rated IP67 for dust and water resistance
- CA13
- 12-24 VDC
- 23 flash patterns



PART NO.	DESCRIPTION
8891700	12 LED, Amber
8891701	12 LED, Clear
8891702*	12 LED, Amber/Clear
8891709*	12 LED, Amber/Green
8891710**	12 LED, Green
8891706	Mount Bracket, 90°
8891711	6" Recessed Oval Grommet

*Multi-colored lights are not SAE J595 Class 1 rated.

**No class rating

DUAL ROW 5.5" LED STROBE LIGHTS

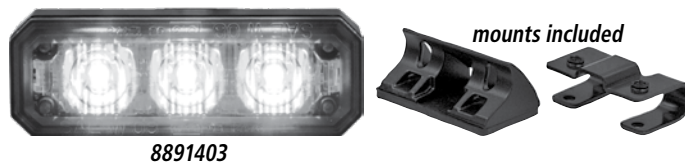
- Rated IP67 for dust and water resistance
- 12-24 VDC
- 12 flash patterns



PART NO.	DESCRIPTION
8891600	12 LED, Amber
8891602	12 LED, Amber/Clear

2.5" LED STROBE LIGHTS

- SAE J595 Class 1
- Rated IP67 for dust and water resistance
- Aluminum housing
- 12-24 VDC
- 12 flash patterns



PART NO.	DESCRIPTION
8891403	3 LED, Amber, Multi-Mount

3.5" LED STROBE LIGHTS

- SAE J595 Class 1
- Rated IP67 for dust and water resistance
- Aluminum housing
- 12-24 VDC
- 12 flash patterns



PART NO.	DESCRIPTION
8891400	3 LED, Amber, Surface Mount
8891401	3 LED, Clear, Surface Mount
8891402	90° Mounting Bracket
8891405	Grommet, Recessed Mount

4" LED STROBE LIGHTS

- SAE J595 Class 1
- Rated IP67 for dust and water resistance
- 12-24 VDC
- 12 flash patterns



PART NO.	DESCRIPTION
8891120	3 LED, Amber
8891121	3 LED, Clear

5" LED STROBE LIGHTS

- SAE J595 Class 1
- Rated IP67 for dust and water resistance
- 12-24 VDC
- 19 flash patterns



PART NO.	DESCRIPTION
8891130	4 LED, Amber
8891131	4 LED, Clear
8891132*	4 LED, Amber/Clear
8891135	90° Mounting Bracket



*8891132 are not SAE J595 Class 1 Rated

LIGHTS & ELECTRICAL

5" LED STROBE LIGHTS

- SAE J595 Class 1
- Rated IP67 for dust and water resistance
- CA13
- Aluminum housing
- 12-24 VDC
- 12 flash patterns
- Built-In power supply



8891506



8891500



8891501



8891502



PART NO.	DESCRIPTION
8891500	6 LED, Amber, Surface Mount
8891501	6 LED, Clear, Surface Mount
8891502*	6 LED, Amber/Clear, Surface Mount
8891506	90° Mounting Bracket

*No class rating

5" RAISED LED STROBE LIGHTS

- Surface mount
- 12-24 VDC
- 100,000 hour rated life
- Direct, epoxy sealed wiring
- Mounting grommet



8891004 / 8891104



8891105



8891006



PART NO.	DESCRIPTION
8891004	4 LED, Amber
8891006	4 LED, Clear
8891104*	4 LED, Amber
8891105*	4 LED, Amber/Clear

*With 19 flash patterns, synchronized and alternating capability

NARROW PROFILE 3.5" LED STROBE LIGHT

- Mounts between pickup bumpers and tailgates
- Fits narrow grill spacing
- Includes mounting hardware
- SAE J595 Class 1, CA13
- IPX8 Waterproof Rating
- 12-24 VDC, 1.2 Amps
- Aluminum housing



8892710



8892711



8892712

PART NO.	DESCRIPTION
8892710	6 LED Amber, 18 flash patterns
8892711	6 LED Clear 18 flash patterns
8892712	6 LED Amber/Clear, 28 flash patterns

ULTRA BRIGHT NARROW PROFILE 5" LED STROBE LIGHT

- Mounts between pickup bumpers and tailgates
- Fits narrow grill spacing
- Includes mounting hardware
- SAE J595 Class 1, CA13
- IPX8 Waterproof Rating
- 12-24 VDC, 0.57 Amps
- Aluminum housing
- 23 flash patterns



8892800



8892801



8892809



8892802



8892810



8892825 -light not included



Profile

PART NO.	DESCRIPTION
8892800	6 LED Amber
8892801	6 LED Clear
8892802*	6 LED Amber/Clear
8892809*	6 LED Green
8892810*	6 LED Amber/Green
8892825	Dash Bracket Housing

*Not SAE J595 Class 1 Rated

POST MOUNTED 4.5" LED STROBE LIGHT

- 6 LED, Amber
- Aluminum housing
- Stainless steel adjustable mount
- 12-24 VDC
- 1.5 Amps
- Rated IP67 for dust and water resistance



PART NO.	DESCRIPTION
8891015	4-1/2" Round Strobe Quad Flash

SURFACE/RECESS MOUNT LED STROBE LIGHTS

- SAE J595 Class 1
- IPX7 Waterproof rating
- 12-24 VDC @ .470 Amps
- 12 flash patterns
- Comes with black bezel for surface mounting
- Compact design ideal for headlights & taillights



8892400 w/black bezel installed



shown w/o bezel



8892425

PART NO.	DESCRIPTION
8892400	3 LED, Amber
8892401	3 LED, Clear
8892425	Mounting Bracket, 90°

LIGHTS & ELECTRICAL

FLUSH MOUNT LED STROBE LIGHTS

- SAE J595 Class 1
- IPX7 Waterproof rating
- 12-24 VDC
- 1.62Amps @ 12V
- 17 flash patterns



PART NO.	DESCRIPTION
8892410	6 LED, Amber
8892411	6 LED, Clear
8892412	6 LED, Amber/Clear
NEW 8892426	Bracket, L-Shaped, Pair, for 8892410 & 8892411

BOLT-ON HIDDEN LED STROBE KITS W/INLINE FLASHERS

- 12V, 1.3 amps
- 6 LED, 540 lumens/head
- 15ft. or 25ft. cable with connectors
- Sealed, inline flasher
- 19 Adjustable flash patterns
- Can be synchronized w/up to 6 strobes
- 2 strobes, flasher, cable and black brackets included



PART NO.	DESCRIPTION
8891215	15' Bolt-on, Clear
8891216	15' Bolt-on, Amber
8891225	25' Bolt-on, Clear
8891226	25' Bolt-on, Amber
8891227	25' Bolt-on, Amber/Clear
6391215	Flash Pattern Control Switch

REPLACEMENT PARTS	
3035912	LED Amber, Strobe
3035913	LED Clear, Strobe
3035914	LED Amber/Clear, Strobe
3035931	15' Harness, w/Flash Module
NEW 3035932	25' Harness, w/Flash Module

PUSH-ON HIDDEN STROBE KITS W/INLINE FLASHERS

- 12V, 1.3 amps
- 6 LED, 540 lumens/head
- 15ft. or 25ft. cable with connectors
- Sealed, inline flasher
- 19 Adjustable flash patterns
- Can be synchronized w/up to 6 strobes
- 2 strobes per kit
- Recommend for lights with double lenses or limited mounting space



PART NO.	DESCRIPTION
8891325	25' Push-on, Clear
8891326	25' Push-on, Amber
8891327	25' Push-on, Amber/Clear
6391215	Flash Pattern Control Switch

REPLACEMENT PARTS	
3035915	LED Amber, Strobe
3035916	LED Clear, Strobe
3035917	LED Amber/Clear, Strobe
3035931	15' Harness, w/Flash Module
3035932	25' Harness, w/Flash Module

LED MULTI-MOUNT STOP/TURN/TAIL/BACKUP/ STROBE LIGHTS

- 12-24 VDC
- 32 LEDs
- IP69, SAE J595 Class 1, CA13
- 19 flash patterns
- Grommet is for recessed mounting and chrome cover for surface mounting



PART NO.	DESCRIPTION
5624432	4" Round Combo
5626432	6" Oval Combo

LED MULTI-MOUNT MARKER/WARNING LIGHTS

- 12-24 VDC
- 32 LEDs
- IP69, SAE J595 Class 1, CA13
- 19 flash patterns
- Grommet is for recessed mounting and chrome cover for surface mounting



PART NO.	DESCRIPTION
5626026	6" Oval Amber
5626226	6" Oval Amber/Clear
5626926	6" Oval Amber/Green

LED RECESSED STROBE LIGHTS

- 4" round grommet mount or 6 1/2" oval grommet mount
- Six flash amber or clear strobe light
- 12-24 VDC; 100,000 hour rated life
- 24 square type LEDs
- No external power pack required



PART NO.	DESCRIPTION
SL40AR	4" Round Amber
SL41AR*	4" Round Amber
SL65AO	6" Oval Amber
SL65CO	6" Oval Clear

*With multiple flash patterns, synchronized and alternating capability

LED RECESSED STROBE LIGHTS

- 4" round grommet mount or 6½" oval grommet mount
- 4 LEDs
- 12-24 VDC
- SAE J595 Class 1
- 6 flash patterns for round lights / 9 flash patterns for oval lights



PART NO.	DESCRIPTION
SL42AO	4" Round Amber, Amber Lens
SL42CA	4" Round Amber,
NEW SL62CO	6" Oval Clear
SL62AO	6" Oval Amber, Amber Lens
SL62CA	6" Oval Amber
SL62AC	6" Oval Amber/Clear
SL62CB	6" Oval Blue
SL62AB	6" Oval Amber/Blue
SL62GO	6" Oval Green
SL62AG	6" Oval Amber/Green
NEW SL62RB	6" Oval Red/Blue

LED STOP/TURN/TAI/BACKUP/ STROBE LIGHTS

- 10-33 VDC
- 24 LEDs
- IP69K, SAE J595 Class 1, CA13
- 19 flash patterns



5624432



5626432

PART NO.	DESCRIPTION
5624424	4" Round 24 LED
5626424	6" Oval 32 LED

LED RECESSED MARKER-STROBE LIGHTS

- 2" or 2.5 round grommet mount
- 12 VDC
- 16 LEDs
- IP67, SAE J595 Class 1
- 4 flash patterns



5622001

5622002



PART NO.	DESCRIPTION
5622001	2" Red w/Amber Strobe
5622501	2.5" Red w/Amber Strobe
5622002	2" Amber w/Amber Strobe
5622502	2.5" Amber w/Amber Strobe

LED RECESSED STROBE LIGHTS

- 4" round grommet mount or 6½" oval grommet mount
- Six flash amber or clear strobe light
- 12-24 VDC; 100,000 hour rated life
- 24 square type LEDs
- No external power pack required



PART NO.	DESCRIPTION
SL70AO*	6" Oval Amber
SL70AC	6" Oval Amber/Clear
SL70AG	6" Oval Amber/Green

*SAE J595 Class 1 rated.

3.5" BACKUP LIGHTS

- Ideal for under-bumper mounting
- 12-24 VDC
- Rated IP67/IP69K, SAE J595 Class 2
- Blunt cut wires
- Available Q4 2024



PART NO.	DESCRIPTION
1492247	3.5" Clear
1492248	3.5" Clear w/ amber warning light

ULTRA BRIGHT REMOTE CONTROL SPOT LIGHTS

- Continuous 360° horizontal rotation and 110° vertical rotation
- 12-24 VDC
- 16 Ultra bright LEDs
- Rated IP65 for dust and water resistance
- Blunt cut wires w/ 12V power plug models
- Aluminum housing



PART NO.	DESCRIPTION
1492200	Spot, White, Blunt Cut Plug
1492201	Spot, White, 12V Power Plug
1492202	Spot, Black, Blunt Cut Plug
1492203	Spot, Black, 12V Power Plug

2-3" MINI FLOOD AND SPOT LIGHTS

- 12-24 VDC
- 16 Ultra bright LEDs
- Rated IP67 for dust and water resistance

- Blunt cut wires
- Aluminum housing



1492300
(1200 Lumens)



1492301
(1200 Lumens)



1492302
(2650 Lumens)



1492303
(2650 Lumens)

PART NO.	DESCRIPTION
1492300	2" Flood, Square, 9 LEDs
1492301	2" Spot, Square, 9 LEDs
1492302	3" Flood, Round, 8 LEDs
1492303	3" Flood, Square, 8 LEDs

4" ROUND LED FLOOD LIGHT

- 12-24 VDC
- 20G Shock rating
- Rated IP67 for dust and water resistance
- 1710 Lumens
- Aluminum housing



1492114
(1710 Lumens)



PART NO.	DESCRIPTION
1492114	4.21" Clear Flood, 1.25 Amps

4.5" ROUND LED FLOOD/SPOT LIGHTS

- 12-24 VDC
- 20G Shock rating
- Rated IP67 for dust and water resistance
- Aluminum housing



1492115
Flood
(1350 Lumens)



1492116
Flood
(1350 Lumens)



1493215
Flood
(3780 Lumens)



1492215
Spot
(1350 Lumens)



PART NO.	DESCRIPTION
1492115	4.6" Clear Flood, 1.5 Amps
1492116	4.6" Amber Flood, 1.5 Amps
1493215	4.6" Clear Flood, 1.5 Amps
1492215	4.6" Clear Spot, 1.5 Amps

ULTRA BRIGHT 5" LED FLOOD LIGHT

- 12-24 VDC
- 20G Shock rating
- Rated IP67 for dust and water resistance
- Blunt cut wires
- 3780 Lumens
- Aluminum housing



1492127
(3780 Lumens)



PART NO.	DESCRIPTION
1492127	5" Clear, 1.83 Amps

ULTRA BRIGHT LED COMBO FLOOD/STROBE LIGHT

- 12-24 VDC
- Rated IP67/IP69K for dust & water resistance
- Clear/Amber

Clear Flood mode



1492230
(7421 Lumens)

Amber Strobe mode



1492232
(2400 Lumens)

Clear Flood mode



1492231
(4050 Lumens)

Amber Strobe mode



1492233
(1710 Lumens)

Clear Flood mode



1492242
(8400 Lumens)

Amber Strobe mode

Clear Flood mode



1492245
(1500 Lumens)

Amber Strobe mode

PART NO.	DESCRIPTION
1492230	4.5", 32 LED, Square
1492231	4.5", 18 LED, Round
1492232	4", 10 LED, Square
1492233	6.5", 18 LED, Rectangular
1492242	4", 40 LED, Square
1492245	6-3/4", Combo, Rectangular

5" ROUND SEALED RUBBER FLOOD LIGHTS

- 12-24 VDC*
- 20G Shock rating*
- Rated IP67 for dust and water resistance

- Blunt cut wires
- Rubber housing



1492100*
Incandescent



1492110
(375 Lumens)



1492111
(375 Lumens)



1492112
(1350 Lumens)

PART NO.	DESCRIPTION
1492100*	5" Clear, Incandescent, 2.92 Amps
1492110	5" Clear, 3 Amps
1492111	5" Amber, 3 Amps
1492112	5" Clear, 1.5 Amps

*1492100 is 12V, does not have a 20G shock rating, & has 1-year warranty

5.5" LED OVAL SPOT-FLOOD LIGHT

- 12-24 VDC
- 20G Shock rating
- Rated IP67 for dust and water resistance
- Blunt cut wires
- Rubber housing
- 1350 Lumens



1492113
(1350 Lumens)



PART NO. DESCRIPTION

1492113 5.5" Stop-Flood, 1.5 Amps

WORK LIGHT WITH BUILT-IN BACKUP CAMERA

- Produces 1100 lumens of light
- Durable camera features a 976 H x 592 V pixel resolution
- Night vision capabilities and a wide 140° viewing angle to help capture everything going on even in low visibility situations



8883110
(1100 Lumens)



PART NO. DESCRIPTION

8883110 Round Work Lamp Camera

EDGELESS WORK LIGHTS

- 12-24 VDC
- Rated IP67 for dust and water resistance

- Blunt cut, 18" lead
- Aluminum housing



1492235
(2800 Lumens)



1492236
(4800 Lumens)



1492239
(1920 Lumens)

PART NO. DESCRIPTION

1492235 6" Clear, 1.25 Amps, 6 LED

1492236 3" Clear, 3.39 Amps, 4 LED

1492239 2.5" Clear, 1.5 Amps, 4 LED

ULTRA BRIGHT LED FLOOD/SPOT LIGHTS

- 12-24 VDC
- 20G Shock rating

- Rated IP67 for dust and water resistance
- Aluminum housing



1492223* - Rotating Base
(7,017 Lumens)



1492197
(3,540 Lumens)



1492242
(8,400 Lumens)



1492225*
(9,831 Lumens)



1492227
(3,039 Lumens)



1492128
(4,320 Lumens)



1492222*
(4,500 Lumens)



1492226*
(21,600 Lumens)



1492196
(9,000 Lumens)



1492190
(4,050 Lumens)



1492290
(4,050 Lumens)



1492194**
(7,920 Lumens)

PART NO. DESCRIPTION

1492223 4" Flood, 7.75 Amp

1492197 4" Wide Angle Spot-Flood, 2.18 Amp

1492242 4" Wide Spot-Flood with Amber Strobes, 3.2 Amp

1492225 4.5" Flood, 10 Amp

1492227 3" Flood, 3.55 Amp

1492128 4.5" Flood, 2.08 Amp

1492222 5" Flood, 4.17 Amp

1492226 5" Flood, 12.42 Amp

1492196 6" Flood, 6.8 Amp

1492190 6" Flood, 1.96 Amp

1492290 6" Spot, 1.96 Amp

1492194** 6.5" Flood, 4.9 Amp

**Rated IP68

LIGHTS & ELECTRICAL

ULTRA BRIGHT HEATED LED FLOOD/SPOT LIGHT

- 12-24 VDC
- 20G Shock rating
- Heated lens
- Rated IP67 for dust and water resistance
- Aluminum housing



1492198
(4,500 Lumens)



PART NO.	DESCRIPTION
1492198	4" Heated Lens Flood, 6.6 Amp

LED FLOOD/SPOT LIGHTS

- 12-24 VDC
- 20G Shock rating
- Rated IP67 for dust and water resistance
- Aluminum housing



1492129
(780 Lumens)



1492137
(1,380 Lumens)



1492237
(1,380 Lumens)



1492134
(1,710 Lumens)



1492117
(1,050 Lumens)



1492220
(1,710 Lumens)



1492238
(2,296 Lumens)



1492193
(1,710 Lumens)



1492217
(1,050 Lumens)

PART NO.	DESCRIPTION
1492129	2.5" Flood, 1 Amp
1492137	3" Flood, 1.5 Amp
1492237	3" Spot, 1.5 Amp
1492134	4" Spot, 1.25 Amps
1492117	4.3" Flood, 1.2 Amp
1492220	4" Flood, 4.35 Amps
1492193	5" Flood, 1.25 Amp, with Built-in-Switch
1492217	4" Flood, 1.2 Amps
1492238	6" Flood, 1.54 Amps

LED SQUARE/RECTANGULAR FLOOD LIGHTS

- 12-24 VDC
- 20G Shock rating
- Rated IP67 for dust and water resistance
- Aluminum housing



1492119
(1500 Lumens)



1492135
(1620 Lumens)



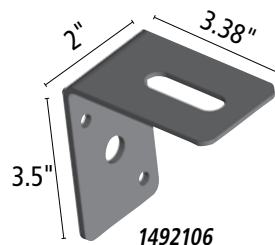
1492228
(2767 Lumens)



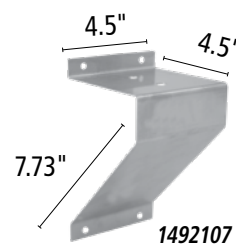
1492118
(1350 Lumens)

PART NO.	DESCRIPTION
1492119	5.3" Flood, 2.25 Amp
1492135	5.5" Flood, 1.5 Amps
1492228	7.5" Flood, 2.18 Amps
1492118	6" Flood, 1.5 Amps

STAINLESS STEEL MOUNTING BRACKETS



1492106



1492107

PART NO.	DESCRIPTION
1492106	SS Bracket for Flood/Spot Lights
1492107	90° SS Bracket for Flood/Spot Lights

RECESSED 3" LED FLOOD LIGHT

- 6 Clear LEDs
- Clear lens
- Die cast powder-coated aluminum housing
- 12-24V, 1.38 Amps @ 12V
- 1620 lumens
- 18" lead w/blunt cut ends
- 4.76" x 3.60" x 3.10"
- Rated IP67 for dust and water resistance



PART NO.	DESCRIPTION
----------	-------------

1492138	Recessed 3" LED Flood Light
---------	-----------------------------

MULTI-MOUNT 3" LED FLOOD LIGHT

- 3 Clear LEDs
- Clear lens
- Die cast powder-coated aluminum housing
- 12-24V, 0.34 Amps @ 12V, 4.08 Watts
- 1260 lumens
- 18" lead w/blunt cut ends
- 3.00" x 1.50" x 0.875"
- Includes flat, tubular and angle mounts
- Rated IP67 for dust and water resistance



PART NO.	DESCRIPTION
----------	-------------

1492139	Angle Mounted 3" LED Flood Light
---------	----------------------------------

RECESSED 6.5" LED FLOOD LIGHT

- 6 Clear LEDs
- Clear lens
- 12-24V, 0.75 Amps @ 12V
- 1140 lumens
- 18" lead w/blunt cut ends
- 6.25" x 3.40" x 1.38"
- Includes 30° rubber offset mount
- Rated IP67 for dust and water resistance

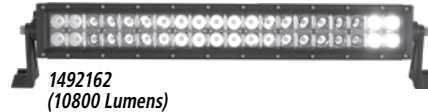


PART NO.	DESCRIPTION
----------	-------------

1492191	Recessed 6.5" LED Flood Light
---------	-------------------------------

LED COMBINATION SPOT-FLOOD LIGHT BAR, DOUBLE ROW

- 12-24 VDC
- Rated IP67 for dust and water resistance
- Blunt cut wires
- Aluminum housing
- Clear lens



PART NO.	DESCRIPTION
----------	-------------

1492160	8.11" Combo Light Bar, 12 LED, 2 Amp
1492161	14.09" Combo Light Bar, 24 LED, 4.20 Amp
1492162	22.17" Combo Light Bar, 40 LED, 8.20 Amp
1492163	32.20" Combo Light Bar, 60 LED, 12.00 Amp
1492165	50.12" Combo Light Bar, 96 LED, 16.60 Amp

LED CURVED COMBINATION SPOT-FLOOD LIGHT BAR, DOUBLE ROW

- 12-24 VDC
- Rated IP67 for dust and water resistance
- Blunt cut wires
- Aluminum housing
- Clear lens



PART NO.	DESCRIPTION
----------	-------------

1492171	14.09" Combo Light Bar, 24 LED, 4.20 Amp
1492172	22.32" Combo Light Bar, 40 LED, 8.20 Amp

LED COMBINATION SPOT-FLOOD LIGHT BAR, SINGLE ROW

- 12-24 VDC
- Rated IP67 for dust and water resistance
- Blunt cut wires
- Aluminum housing
- Clear lens



1492182
(4050 Lumens)



1492183
(6480 Lumens)



1492184
(8100 Lumens)



1492185
(10530 Lumens)

PART NO.	DESCRIPTION
1492182	20.63" Combo Light Bar, 15 LED, 2.80 Amp
1492183	31.97" Combo Light Bar, 24 LED, 4.55 Amp
1492184	39.53" Combo Light Bar, 30 LED, 5.78 Amp
1492185	50.87" Combo Light Bar, 39 LED, 7.60 Amp

LED COMBO SPOT-FLOOD LIGHT BAR ACCESSORIES



3034110
(For 1492160 & 1492170 Series)



3035781



3035768
(For 1492160, 1492170 & 1492180 Series)



3035770
(For 1492160, 1492170 & 1492180 Series)

PART NO.	DESCRIPTION
3034110	Rear Mount Mounting Legs, Pair
3035781	Tube Mount, Pair
3035768	Harness with Single Switch, DT Connection
3035770	Harness with Single Switch ATP Connection

LED COMBINATION SPOT-FLOOD LIGHT BAR, DOUBLE ROW

- 12-24 VDC
- Rated IP67 for dust and water resistance
- Aluminum housing
- Clear lens



1492160
(5040 Lumens)



1492161
(10080 Lumens)



1492162
(16800 Lumens)



1492163
(25200 Lumens)

PART NO.	DESCRIPTION
1492260	8" Combo Light Bar, 12 LED, 3.78 Amp
1492261	14" Combo Light Bar, 24 LED, 7.73 Amp
1492262	22" Combo Light Bar, 40 LED, 14.6 Amp
1492263	32" Combo Light Bar, 60 LED, 20.8 Amp

LED COMBO SPOT-FLOOD LIGHT BAR ACCESSORIES



3048967



PART NO.	DESCRIPTION
3048967	Rear Mounting Leg, Pair For 1492260 Series

RUBBER CUTTING EDGES

CALL FOR CURRENT PRICING

All rubber cutting edges are furnished with 3"-long slots for adjustment. Allow 10 days for fabrication of nonstock rubber cutting edges.

FOR MEYER® SNOWPLOWS

Includes Mounting Hardware

PART NO.	DESCRIPTION	OEM PART NO.	WT. (LBS.)
1312005	Two Meter, 1" x 6" x 78"	08186	24.5
1312010	ST-78, 1-1/2" x 8" x 78"	08187	39.5
1312020	ST-90/C-7.5, 1-1/2" x 8" x 90"	08189	48.0
1312025	C-8, 1-1/2" x 8" x 96"	08190	48.5
1312030	C-8.5, 1-1/2" x 8" x 102"	08191	59.7
1312035	HM-9, 1-1/2" x 10" x 108"	08192	78.0
1312040	HM-10, 1-1/2" x 10" x 120"	08193	83.0

FOR WESTERN® SNOWPLOWS

Includes Mounting Hardware

PART NO.	DESCRIPTION	OEM PART NO.	WT. (LBS.)
1312105	6-1/2' Standard, 1" x 6" x 78"	608261	25.4
1312115	7-1/2' Std., 1-1/2" x 8" x 90"	608263	44.0
1312120	8' Standard, 1-1/2" x 8" x 96"	608291	48.0
1312125	8-1/2' Std., 1-1/2" x 8" x 102"	608292	59.7
1312130	9' Std., 1-1/2" x 10" x 108"	608321	78.0
1312135	10' Std., 1-1/2" x 10" x 120"	608323	87.0

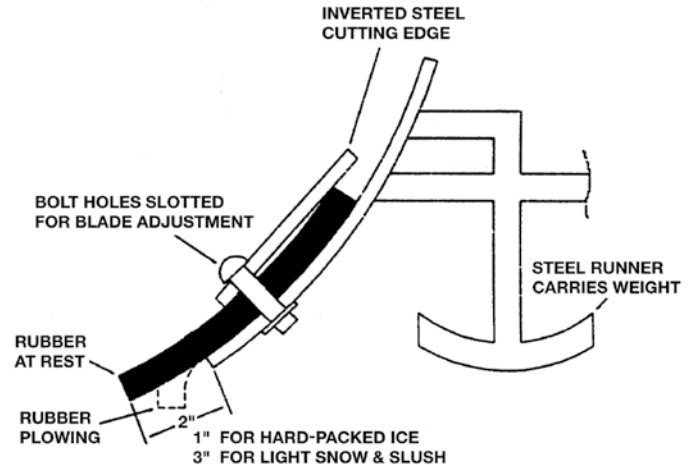
FOR FISHER® SNOWPLOWS

Includes Mounting Hardware

PART NO.	DESCRIPTION	NO. OF SLOTS	WT. (LBS.)
1312220	1-1/2" x 10" x 90"	8	65
1312225	1-1/2" x 10" x 96"	8	69
1312226	1-1/2" x 10" x 96"	10	69
1312230	1-1/2" x 10" x 108"	11	78

CUSTOM CUT RUBBER CUTTING EDGES

- Price includes cutting to length and punching slots.
- Pricing subject to change.
- Requires detailed drawing from customer.
- Made in USA of resilient premium rubber compound

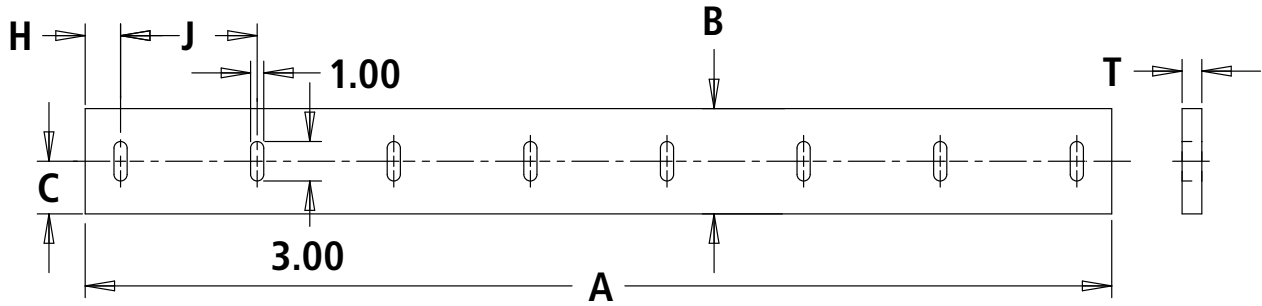


DESCRIPTION
1" x 6"
1-1/2" x 8"
1-1/2" x 10"
1-1/2" x 12"

SNOWPLOW REPLACEMENT PARTS



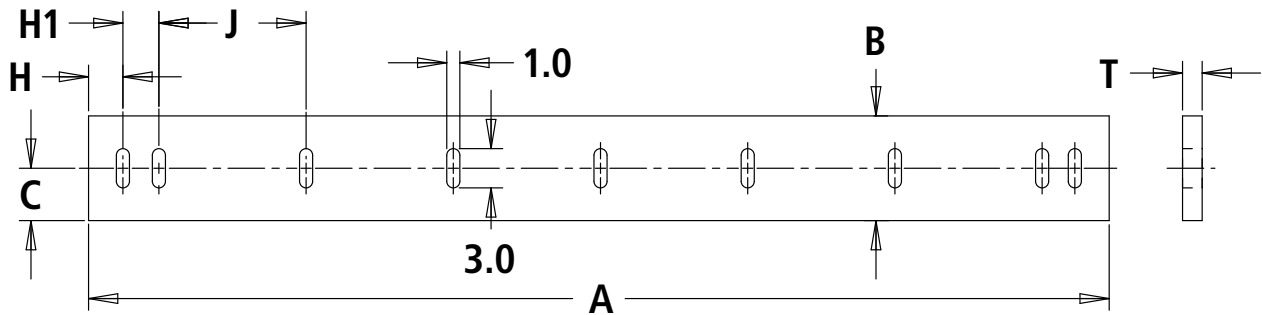
REPLACEMENT RUBBER CUTTING EDGE INFORMATION - STYLE A



PART NO.	REPLACES OEM PART NO.	A	B	C	NO. OF SLOTS	H	J	T	WT. (LBS)
1312005	M - 08186	78	6	3	6	1.5	15	1	24.5
1312010	M - 08187	78	8	4	8	2.69	10.38	1.5	39.5
1312020	M - 08189	90	8	4	8	1.47	12.44	1.5	48.0
1312025	M - 08190	96	8	4	8	4.47	12.44	1.5	48.5
1312030	M - 08191	102	8	4	9	1.25	12.44	1.5	59.7
1312120	W - 608291	96	8	4	8	2.5	13	1.5	30.3
1312220	-	90	10	5	8	1.5	12.44	1.5	65.0
1312225	-	96	10	5	8	4.47	12.44	1.5	69.3

M - MEYER®, W - WESTERN®

REPLACEMENT RUBBER CUTTING EDGE INFORMATION - STYLE B



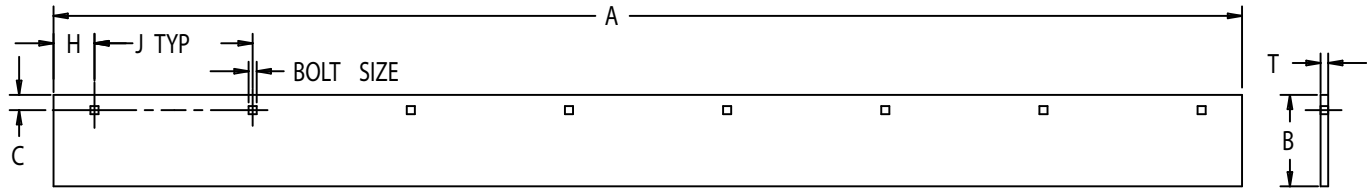
PART NO.	REPLACES OEM PART NO.	A	B	C	NO. OF SLOTS	H	H1	J	T	WT. (LBS)
1312105	W - 608261	78	6	3	8	2.63	8.25	11.25	1	25.4
1312115	W - 608263	90	8	4	8	2.63	14.25	11.25	1.5	44
1312125	W - 608292	102	8	4	8	2.5	16	13	1.5	59.7
1312130	W - 608321	108	10	5	11	3	3	12	1.5	78
1312135	W - 608323	120	10	5	12	3	3	12	1.5	87
1312035	M - 08192	108	10	5	11	3	3	12	1.5	78
1312040	M - 08193	120	10	5	12	3	3	12	1.5	87
1312226	-	96	10	5	10	1.5	3	12.44	1.5	69.3
1312230	-	108	10	5	11	3	3	12	1.5	78
1312546	STD HWY	108	10	5	11	3	3	12	1.5	78
1312547	STD HWY	120	10	5	12	3	3	12	1.5	87
1312548	STD HWY	132	10	5	13	3	3	12	1.5	96
1312549	STD HWY	144	10	5	14	3	3	12	1.5	105

M - MEYER®, W - WESTERN®

INFORMATION

REPLACEMENT STEEL CUTTING EDGE INFORMATION - STYLE A

- C-1090 Steel
- Brinell Hardness Range: 250-300
- Hardware not included on all cutting edges



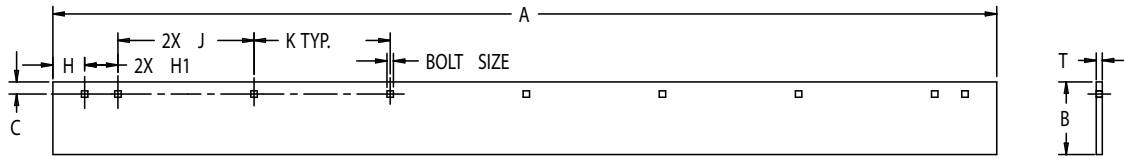
	PART NO.	OEM PART NO.	A	B	C	BOLT SIZE	NO. OF SLOTS	H	J	T	WT. (LBS)
Meyer	1301005	09100	78	6	2	1/2"	6	1.5	15	3/8"	49
	1301010	09130	72	6	1	1/2"	7	4.88	10.38	3/8"	46
	1301015	09131	78	6	1	1/2"	8	2.69	10.38	3/8"	49
	1301016	09131**	78	6	1	1/2"	8	2.69	10.38	1/2"	66
	1301025	09796	90	6	1	1/2"	8	1.47	12.44	3/8"	57
	1301030	09796**	90	6	1	1/2"	8	1.47	12.44	1/2"	76
	1301035	09133	96	6	1	1/2"	8	4.47	12.44	1/2"	81
	1301040	09134	102	6	1	1/2"	9	1.25	12.44	1/2"	86
Diamond	1301100	811000233	18	6	3	5/8"	3	3	6	1/2"	14
Western	1301210	49070	84	6	1	1/2"	8	2.63	11.25	3/8"	54
	1301220	49080	96	6	1	1/2"	8	2.5	13	3/8"	61
	1301235	49347	96	6	1	1/2"	8	2.5	13	1/2"	81
	1301245	58811	72	6	3	1/2"	7	2.25	11.25	3/8"	46
	1301255	58813	84	6	3	1/2"	8	2.63	11.25	3/8"	53
	1301265	58815	96	6	3	1/2"	8	2.5	13	1/2"	81
	1301291	49328	96	6	2.06	1/2"	8	2.5	13	3/8"	61
	1301293	49351	96	6	2.06	1/2"	8	2.5	13	1/2"	81
Fisher	1301300	5532/6597	90	6	1.25	1/2"	8	1.44	12.44	3/8"	57
	1301301	5532**	90	6	1.25	1/2"	8	1.44	12.44	5/8"	95
	1301303	50678/50625	90	6	1.25	1/2"	8	1.5	12.43	1/2"	76
	1301305	5533/6598	96	6	1.25	1/2"	8	4.47	12.44	1/2"	81
	1301306	5533**	96	6	1.25	1/2"	8	4.47	12.44	5/8"	101
	1317005	5533**	96	8	1.25	1/2"	8	4.46	12.44	5/8"	136
Sno-Way	1303510	96100275	80	6	1.75	1/2"	10	4	8	3/8"	51
	1303515	96100237	90	6	1.75	1/2"	12	1	8	1/2"	76
Blizzard	1304600	B52067/B61292	89	6	1.5	1/2"	7	2.5	14	1/2"	75
	1304601	B52095/B11962	94.5	6	1	1/2"	7	3.75	14.5	1/2"	80
	1304602	B61625/B52139	94.5	6	1	1/2"	7	3.75	14.5	5/8"	100
	1304604	B61259/B61164	96	6	1.5	1/2"	8	1.73	13.22	1/2"	81
	1304605	B61532/B61528	102	6	1.63	1/2"	8	2	14	1/2"	86
Boss	1304750	STB03071	90	6	1	1/2"	8	3	12	3/8"	57
	1304751	STB03002	90	6	1	1/2"	8	3	12	1/2"	76
	1304752	STB03003	96	6	0.5	1/2"	9	3	12	1/2"	81
Curtis		1TBP49A	90	6	3	1/2"	7	1.5	14.5	3/8"	57
	1304801	1TBP49B	96	6	3	1/2"	7	1.5	15.5	3/8"	61
	1304802	1TBP49J	102	6	3	1/2"	9	1	12.5	1/2"	86
	1304804	1TBP49A**	90	6	3	1/2"	7	1.5	14.5	1/2"	57
	1304805	1TBP49B**	96	6	3	1/2"	7	1.5	15.5	1/2"	61

**No Direct OEM Part Number, Extra Thick Version of Number Listed

SNOWPLOW REPLACEMENT PARTS



REPLACEMENT STEEL CUTTING EDGE INFORMATION - STYLE B

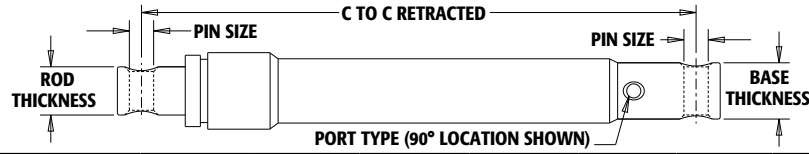


	PART NO.	OEM PART NO.	A	B	C	BOLT SIZE	NO. OF SLOTS	H	H1	J	K	T	WT. (LBS)
Meyer	1301045	7259	108	6	1.25	5/8"	11	3	3	12	12	1/2"	91
	1301050	7235	120	6	1.25	5/8"	12	3	3	12	12	1/2"	101
Western	1301200	49066	78	6	1	1/2"	8	2.63	8.25	11.25	11.25	3/8"	49
	1301215	49088	90	6	1.25	1/2"	8	2.63	14.25	11.25	11.25	3/8"	57
	1301225	49348	102	6	1.25	1/2"	8	2.5	16	13	13	1/2"	86
	1301230	49346	90	6	1.25	1/2"	8	2.63	14.25	11.25	11.25	1/2"	76
	1301240	49349	108	6	1.25	1/2"	10	2.5	3	16	13	1/2"	92
	1301250	58812	78	6	3	1/2"	8	2.63	8.25	11.25	11.25	3/8"	49
	1301260	58814	90	6	3	1/2"	8	2.63	14.25	11.25	11.25	3/8"	57
	1301270	58816	102	6	3	1/2"	8	2.5	16	13	13	1/2"	87
	1301275	58817	108	6	1.5	5/8"	11	3	3	12	12	1/2"	92
	1301280	58818, Cover Edge	120	6	1.5	5/8"	12	3	3	12	12	1/2"	101
	1301281	58818**	120	6	1.5	5/8"	12	3	3	12	12	5/8"	126
	1301290	49312	90	6	2.06	1/2"	8	2.63	14.25	11.25	11.25	3/8"	57
	1301292	49350	90	6	2.06	1/2"	8	2.63	14.25	11.25	11.25	1/2"	75
	1301294	64775	90	6	1.25	5/8" Slotted	10	2.5	3	7	13	1/2"	74
	1301295	63980	96	6	1.25	5/8" Slotted	10	2.5	3	10	13	1/2"	81
	1301296	63985	102	6	1.25	5/8" Slotted	10	2.5	3	13	13	1/2"	86
	1301297	63990	108	6	1.25	5/8" Slotted	10	2.5	3	16	13	1/2"	92
Fisher	1301225	26460/26652	102	6	1.25	1/2"	8	2.5	16	13	13	1/2"	87
	1301280	3507/7082	120	6	1.5	5/8"	12	3	3	12	12	1/2"	101
	1301307	27580/27426	96	6	3	5/8"	10	1.5	3	12.43	12.43	1/2"	81
	1301309	27585/28391	102	6	300	5/8"	10	2.5	3	13	13	1/2"	87
	1301310	5534/6599	108	6	1.25	5/8"	11	3	3	12	12	1/2"	91
	1301311	5534**	108	6	1.25	5/8"	11	3	3	12	12	5/8"	114
	1301312	27590/27427	108	6	3	5/8"	11	3	3	12	12	1/2"	91
Sno-Way	1303530	96106376	80	6	1.75	1/2"	8	2	8	12	12	3/8"	51
	1303540	96106337/96106669	96	6	1.75	1/2"	9	2	10	12	12	3/8"	81
	1303542	Std Highway	144	8	1.5	5/8"	14	3	3	12	12	5/8"	194
Northman	1303790	31547CP	90	6	3	1/2"	9	3	6	12	12	3/8"	57
Boss	1304752	STB03003	96	6	1	1/2"	10	2	4	12	12	1/2"	81
	1304753	STB03072	102	6	1	1/2"	10	3	6	12	12	1/2"	86
	1304754	STB03242	108	6	1	1/2"	10	3	9	12	12	1/2"	91
	1304755	STB07537	120	6	1	5/8"	12	3	3	12	12	1/2"	101
	1304757	STB00317	96	8	1	5/8"	10	2	4	12	12	1/2"	108
	1304758	STB00318	102	8	1	5/8"	10	3	6	12	12	1/2"	115
	1304759	STB00319	108	8	1	5/8"	10	3	9	12	12	1/2"	122
Curtis	1304803	1TP49C	108	6	3	1/2"	9	1.5	10.5	14	14	1/2"	91
Highway	1317000	Std Highway	120	6	1.5	5/8" C-Sink	12	3	3	12	12	5/8"	127
	1317001	Std Highway	132	6	1.5	5/8"	13	3	3	12	12	5/8"	140
	1317002	Std Highway	120	8	1.5	5/8"	12	3	3	12	12	5/8"	168
	1317003	Std Highway	132	8	1.5	5/8"	13	3	3	12	12	5/8"	187
	1317004	Std Highway	108	8	1.5	5/8"	11	3	3	12	12	5/8"	153
	1317006	Std Highway	108	6	1.5	5/8"	11	3	3	12	12	5/8"	114.6
	1317007	Std Highway	48	6	1.5	5/8" C-Sink	6	3	3	12	12	5/8"	51
	1317008	Std Highway	108	8	1.5	5/8" C-Sink	11	3	3	12	12	3/4"	184
	1317009	Std Highway	120	8	1.5	5/8" C-Sink	12	3	3	12	12	3/4"	204
	1317010	Std Highway	132	8	1.5	5/8" C-Sink	13	3	3	12	12	3/4"	225
	1317011	Std Highway	144	8	1.5	5/8" C-Sink	14	3	3	12	12	3/4"	245
	1317012	Std Highway	120	8	1.5	5/8" C-Sink	12	3	3	12	12	5/8"	168
	1317013	Std Highway	24	6	1.5	5/8" C-Sink	4	3	3	12	-	3/4"	31
	1317014	Std Highway	48	8	1.5	5/8"	6	3	3	12	12	3/4"	82
	1317015	Std Highway	60	8	1.5	5/8"	7	3	3	12	12	3/4"	102
	1317016	Std Highway	72	8	1.5	5/8"	8	3	3	12	12	3/4"	123
	1317017	Std Highway	24	6	1.5	5/8"	4	3	3	12	-	5/8"	26
	1317018	Std Highway	24	6	1.5	5/8" C-Sink	4	3	3	12	-	5/8"	26
	1317019	Std Highway	36	6	1.5	5/8" C-Sink	5	3	3	12	12	5/8"	38
	1317021	Std Highway	108	8	1.5	5/8" C-Sink	11	3	3	12	12	5/8"	153
	1317023	Std Highway	132	8	1.5	5/8" C-Sink	13	3	3	12	12	5/8"	187
	1317024	Std Highway	144	8	1.5	5/8" C-Sink	14	3	3	12	12	5/8"	194
	1317025	Std Highway	96	8	1.5	5/8" C-Sink	10	3	3	12	12	5/8"	166
	1317038	Std Highway	36	6	1.5	5/8" C-Sink	5	3	3	12	12	3/4"	45.1
	1317039	Std Highway	48	6	1.5	5/8" C-Sink	6	3	3	12	12	3/4"	60.3
	1317040	Std Highway, Carbide	36	6	1.5	5/8" C-Sink	5	3	3	12	12	5/8"	46
	1317041	Std Highway, Carbide	48	6	1.5	5/8" C-Sink	6	3	3	12	12	5/8"	62
	1317046	Std Highway, Cover Edge	132	6	1.5	5/8"	13	3	3	12	12	1/2"	112
	1317047	Std Highway, Cover Edge	144	6	1.5	5/8"	14	3	3	12	12	1/2"	122

**No Direct OEM Part Number, Extra Thick Version of Number Listed

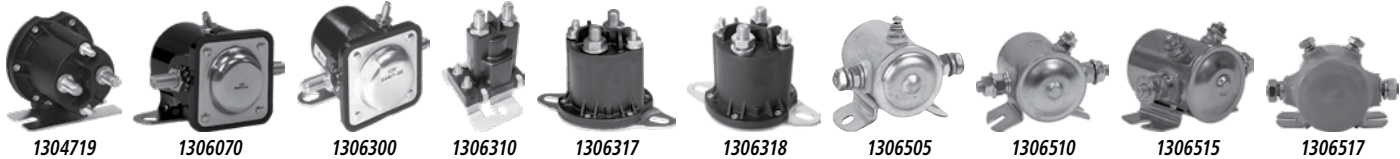
SNOWPLOW REPLACEMENT PARTS

REPLACEMENT CYLINDER INFORMATION



PART NO.	OEM PART NO.	BORE	STROKE	ACTING	C TO C RETRACTED	C TO C EXTENDED	ROD DIA. / THICKNESS	BASE DIA. / THICKNESS	PIN SIZE	PORT TYPE	PORT LOCATION	WT (LBS)
1303550	96100085	2-1/2"	4"	Double	10-1/4"	14-1/4"	1-1/2"	1-1/2"	3/4"	#6 SAE	90°	15.3
1303554	96101977	2-1/4"	9"	Double	16-1/8"	25-1/8"	1-1/2"	1-1/2"	5/8"	#6 SAE	Inline	17.0
1303557	96107455	1-1/2"	11-1/4"	Single	16-3/4"	28"	1-1/4"	1-1/2"	1/2"	#6 SAE	90°	11.5
1303700	96106077	1-1/2"	3-7/8"	Double	10-1/4"	14-1/8"	1-1/2"	4"	3/4" (R) 1/2" (B)	#6 SAE	90°	13.3
1304005	05810	1-1/2"	10"	Single	16-1/4"	26-1/4"	1-1/2"	1-5/8"	5/8"	1/4" NPT	Inline	13.0
1304006	07968	1-1/2"	10"	Single	16-1/4"	26-1/4"	1-1/2"	1-5/8"	5/8"	#6 SAE	Both (2 holes)	12.5
1304010	05437	1-1/2"	12"	Single	18"	30"	1-1/2"	1-5/8"	5/8"	1/4" NPT	Inline	15.0
1304015	05752	2"	12"	Single	18"	30"	1-5/8"	1-5/8"	5/8"	1/4" NPT	Inline	22.0
1304020	05984	1-1/2"	6"	Single	12-3/8"	18-3/8"	1-1/8"	1-5/8"	5/8"	1/4" NPT	Inline	10.0
1304100	81700020	1-1/2"	10"	Single	17-1/4"	27-1/4"	1-1/2"	1-3/4"	1"	1/4" NPT	90°	14.0
1304200	25209	1-1/2"	10"	Single	17"	27"	1-1/2"	1-3/4"	1"	1/4" NPT	Inline	13.5
1304201	56538K	1-1/2"	8"	Single	15-1/4"	23-1/4"	1-1/2"	1-3/4"	3/4"	#6 SAE	90°	11.7
1304202	56614	1-1/2"	10"	Single	17"	27"	1-1/2"	1-3/4"	3/4"	#6 SAE	90°	13.2
1304203	64148	1-1/2"	12"	Single	19-1/2"	31-1/2"	1-1/2"	1-3/4"	1"	#6 SAE	90°	14.6
1304204	56750	2"	11"	Double	18-1/4"	29-1/4"	1-1/2"	2"	1"	#6 SAE	90°	21.9
1304205	56102	1-1/2"	10"	Single	17-1/4"	27-1/4"	1-1/2"	1-3/4"	3/4"	1/4" NPT	90°	13.8
1304206	49460	1-1/2"	10"	Single	17"	27"	1-1/2"	1-3/4"	1"	#6 SAE	90°	13.0
1304210	25200	1-1/2"	6"	Single	13"	19"	1-1/2"	1-3/4"	3/4"	1/4" NPT	Inline	10.0
1304215	25210	2"	6"	Single	13-1/4"	19-1/4"	1-7/16"	1-1/2"	3/4"	1/4" NPT	Inline	17.1
1304217	56709	2"	10"	Double	17-5/16"	27-5/16"	1-1/2"	2"	1"	#6 SAE	90°	15.0
1304220	25878	2"	16"	Single	23-1/4"	39-1/4"	2"	2-1/4"	1"	1/4" NPT	Inline	29.4
1304300	A3660/20117K	1-1/2"	12"	Single	19-1/4"	31-1/4"	1-1/2"	1-3/4"	1"	1/4" NPT	90°	15.0
1304305	A318/20116K	1-1/2"	10"	Single	17-1/4"	27-1/4"	1-1/2"	1-3/4"	1"	1/4" NPT	Both (2 ports)	14.0
1304310	A5166	2"	16"	Single	23-1/4"	39-1/4"	2"	2-1/4"	1-1/4"	1/4" NPT	90°	29.0
1304311	56718	1-1/2"	6"	Single	13-1/4"	19-1/4"	1-1/2"	1-3/4"	1"	#6 SAE	Inline	10.1
1304312	56603K	1-1/2"	12"	Single	19-1/2"	31-1/2"	1-1/2"	1-3/4"	1"	#6 SAE	90°	14.6
1304640	B60029	2"	10"	Single	17-1/4"	27-1/4"	1-3/4"	2-1/4"	3/4"	#6 SAE	90°	19.5
1304641	B60065	2"	9-3/8"	Single	16-1/4"	25-5/8"	1-3/4"	2-1/4"	3/4"	#6 SAE	90°	18.5
1304642	B60221	2-1/4"	12"	Single	19"	31"	2"	2-5/8"	3/4"	#6 SAE	90°	27.7
1304643	B60236	2-1/2"	4-5/8"	Double	16-3/4"	21-3/8"	1-1/4"	2-7/8"	5/8"	#6 SAE	+/-45°	16.4
1304644	B60237	3-1/2"	4-5/8"	Double	17-1/2"	22-1/8"	1-1/4"	3-3/8"	3/4"	#6 SAE	+/-45°	24.2
1304645	B60255	3"	4-5/8"	Double	17-1/2"	22-1/8"	1-1/4"	3-3/8"	3/4"	#6 SAE	+/-45°	21.2
1304646	B60347	1-1/2"	13-15/16"	Double	26-9/16"	40-1/2"	1"	1-7/8"	5/8"	#6 SAE	90°	17.0
1304647	B60207	1-3/4"	18-7/16"	Double	24"	42-7/16"	1-1/8"	2-1/8"	5/8"	#6 SAE	90°	18.9
1304700	HYD01603	1-1/2"	10"	Single	17"	27"	1-1/2"	2-3/8"	5/8"	3/8" NPT	Inline	15.7
1304701	HYD07013	1-1/2"	10"	Double	15-3/4"	25-3/4"	2-1/8"	2-1/8"	5/8"	#6 SAE (R) 1/4" NPT (B)	90° & 180°	12.7
1304704	HYD08830	1-1/8"	10"	Single	17"	27"	1-7/16"	1-3/4"	5/8"	3/8" NPT	90°	13.4

REPLACEMENT SOLENOID INFORMATION



PART NO.	OEM #	DUTY	AMP	MOUNTING	POSTS
1304719	Boss: HYD01633/HYD08831	Intermittent	150	90 Degree	4 Post
1306070	Meyer: 15370 – Curtis: 1TBP61A	Intermittent	100	90 Degree	3 Post (Positive Switched)
1306300	Western: 25634 – Blizzard: 3427	Intermittent	100	90 Degree	3 Post (Ground Switched)
1306310	Western: 56131/56134K – Fisher: 5794 – Snoway: 96002086	Continuous	100	Flat	4 Post
1306317	Western: 56131K-2 – Fisher: 5794K-1 – Blizzard: B80051	Continuous	150	Flat	4 Post
1306318	Western: 42902 – Fisher: 42901 – Snowex: 52578	Intermittent	150	Flat	4 Post
1306505	Monarch: 03336 – Blizzard: 63336	Continuous	80	Motor	3 Post (Ground Switched)
1306510	Monarch: 03427/B98596/S302	Continuous	80	Motor	3 Post (Positive Switched)
NEW 1306515	Cole Hersee: 24059	Continuous	85	Flat	4 Post
1306517	Cole Hersee: 24117-01	Continuous	85	Flat	4 Post PVC Coated

INFORMATION

SNOWPLOW REPLACEMENT PARTS



REPLACEMENT HOSE INFORMATION

LEGEND	
FJIC	Female JIC Swivel
MJIC	Male JIC
MNPT	Male NPT
FNPT	Female NPT
FORFS	Female O-Ring Face Seal
MORB	Male O-Ring Boss

PART NO.	OEM PN	HOSE SIZE	FITTING 1	FITTING 2	LENGTH (IN)	WORKING PRESSURE (PSI)
3016061	-	1/4"	-4 (7/16-20) FJIC	-4 (7/16-20) FJIC	29	3000
3016062	-	1/4"	-4 (7/16-20) FJIC	-4 (7/16-20) FJIC	56	3000
1304832	Curtis 1TBP98C	1/4"	-4 (7/16-20) FJIC	-4 (7/16-20) MORB	19	3000
1304833	Curtis 1TBP98D	1/4"	-4 (7/16-20) FJIC	-4 (7/16-20) MORB	29	3000
1304030	Meyer 21856C	1/4"	1/4" MNPT	1/4" FNPT	45	2700
1304721	Boss HYD01695	1/4"	1/4" MNPT	1/4" MNPT	15.5	3000
1304225	Western 55020B / Fisher 4424	1/4"	1/4" MNPT	1/4" MNPT	38	2700
1304110	Meyer 816000095040	1/4"	1/4" MNPT	1/4" MNPT	40	3000
1304729	Boss HYD09922	1/4"	1/4" MNPT	-6 (9/16-18) FJIC 45	18	3000
1304043	Meyer 22884	1/4"	-6 (11/16-16) FORFS	-6 (11/16-16) FORFS	33	5000
1304231	Fisher 56832	1/4"	-6 (9/16-18) FJIC	-6 (9/16-18) FJIC	8	3000
1304229	Western 56617	1/4"	-6 (9/16-18) FJIC	-6 (9/16-18) FJIC	16	3000
1304233	Fisher 56830	1/4"	-6 (9/16-18) FJIC	-6 (9/16-18) FJIC	22	3000
1304348	Fisher 56710	1/4"	-6 (9/16-18) FJIC	-6 (9/16-18) FJIC	32	3000
1304234	Western 56831 / Fisher 56599	1/4"	-6 (9/16-18) FJIC	-6 (9/16-18) FJIC	36	3000
1304227	Western 56616	1/4"	-6 (9/16-18) FJIC	-6 (9/16-18) FJIC	42	3000
1304726	Boss HYD07575	3/8"	1/4" MNPT	-6 (9/16-18) FJIC 45	40	3000
1304728	Boss HYD01810	3/8"	1/4" MNPT	3/8" MNPT	34	3000
1304733	Boss HYD19121	3/8"	1/4" MNPT	3/8" MNPT	40	3000
1304725	Boss HYD07042	3/8"	1/4" MNPT	3/8" MNPT	42	3000
1304130	Meyer 22886	3/8"	-6 (11/16-16) FORFS	-6 (11/16-16) FORFS	22	4000
1304261	Western 49469	3/8"	-6 (9/16-18) FJIC	-6 (9/16-18) FJIC	32	3000
1304249	Western 49532	3/8"	-6 (9/16-18) FJIC	-6 (9/16-18) FJIC	36	3000
1304236	Western 44351	3/8"	-6 (9/16-18) FJIC	-6 (9/16-18) FJIC	38	4000
1304263	Western 49496	3/8"	-6 (9/16-18) FJIC	-6 (9/16-18) FJIC	42	3000
1304237	Western 44350	3/8"	-6 (9/16-18) FJIC	-6 (9/16-18) FJIC	45	3000
1304264	Western 49467	3/8"	-6 (9/16-18) FJIC	-6 (9/16-18) FJIC	67	3000
1304633	Blizzard B60273	3/8"	-6 (9/16-18) FJIC	-6 (9/16-18) FJIC 45	17	3000
HP06245	-	3/8"	3/8" MNPT	-6 (9/16-18) FJIC	24	3000
3014346	-	3/8"	3/8" MNPT	-6 (9/16-18) MORB 90SW	55	3000
3014347	-	3/8"	3/8" MNPT	-6 (9/16-18) MORB 90SW	72	3000
3049149	-	3/8"	1/2" MNPT	1/2" FNPT	60	3000
3019738	-	1/2"	-8 (3/4-16) FJIC	-8 (3/4-16) FJIC	21.5	3500
HP08245	-	1/2"	1/2" MNPT	1/2" FNPT	24	3000
HP0860	-	1/2"	1/2" MNPT	1/2" FNPT	60	3500
3031562	-	5/8"	-12 (1-1/16-12) FJIC	-12 (1-1/16-12) FJIC	15	3000
HP12245	-	3/4"	3/4" MNPT	3/4" FNPT	24	3000
HP12365	-	3/4"	3/4" MNPT	3/4" FNPT	36	3000
HP1660	-	1"	-16 (1-5/16-12) MORB	-16 (1-5/16-12) MORB	60	3000
HP1672	-	1"	-16 (1-5/16-12) MORB	-16 (1-5/16-12) MORB	72	3000
HP1696	-	1"	-16 (1-5/16-12) MORB	-16 (1-5/16-12) MORB	96	3000
HP16132	-	1"	-16 (1-5/16-12) MORB	-16 (1-5/16-12) MORB	132	3000

BOSS REPLACEMENT PARTS BY OEM CROSSOVER

PART NUMBER	OEM PART	CATEGORY	DESCRIPTION	EXT	SPORT DUTY	HTX	STANDARD/SUPER	HD STRAIGHT	TRIP EDGE	HTX-V	POWER V/ X/IDXT	HD V/VX/XT/ DXT
1306903	STB09602	Controls and Accessories	Hand Controller For Straight Blade Plow		●	●	●	●	●			
1304700	HYD01603	Cylinders and Parts	1-1/2 x 10 Inch Power Angling Cylinder								●	
1304704	HYD08830		1-1/2 x 10 Inch Power Angling Cylinder				●	●	●			
1304740	HYD01684	Electrical	90 Inch Vehicle Side Power/Ground Cable	●	●	●	●	●	●	●	●	●
1304741	HYD01690		36 Inch Plow Side Power/Ground Cable	●	●	●	●	●	●	●	●	●
1304744	MSC04754		13-Pin Male Plow Side Harness Repair Kit	●	●	●	●	●	●	●	●	●
1304745	MSC04753		13-Pin Female Vehicle Side Harness Repair Kit	●	●	●	●	●	●	●	●	●
1301061	BAX00034	Hardware	Bulk Cutting Edge 1/2 x 2 Inch Carriage Bolt And Locknut - Set of 9		●	●	●		●			
1301065	BAX00096		Bulk Cutting Edge 5/8 x 2 Inch Carriage Bolt And Nut - Set Of 10	●			●	●		●	●	●
1304776	MSC05056		Eye Bolt Kit 5/8 x 4-1/4 Inch				●				●	●
1304777	HDW01744		Eye Bolt Kit 1/2 x 5-1/2 Inch				●	●		●	●	
1304787	MSC04676		Pin Kit with Left or Right-handed Coupler Spring Release Lever	●			●		●		●	
1304788	MSC07973		Pin Kit with Right-handed Coupler Spring Release Lever					●				●
1304789	MSC07974		Pin Kit with Left-handed Coupler Spring Release Lever					●				●
1304721	HYD01695	Hydraulics	1/4 x 15-1/2 Inch Hydraulic Hoses	●	●	●	●	●	●	●	●	●
1304724	HYD07020		1/4 x 15 Inch Hydraulic Hoses			●	●	●	●		●	●
1304725	HYD07042		3/8 x 42 Inch Hydraulic Hoses					●	●		●	●
1304726	HYD07575		3/8 x 40 Inch Hydraulic Hoses							●		
1304728	HYD01810		3/8 x 34 Inch Hydraulic Hoses	●	●	●	●	●	●			
1304729	HYD09922		1/4 x 18 Inch Hydraulic Hoses	●	●		●	●	●		●	
1304737	HYD01620		90° Swivel Elbow 3/8 Inch MOR To FPS	●	●	●		●		●		●
1304738	HYD07018		90° Swivel Elbow 3/8 Inch MP To FPS	●	●	●	●	●	●	□		
1304718	HYD01563	Motors	4-1/2 Inch CCW Single Post Motor Tang Shaft		●		●	●	●		●	●
1304780	MSC03807	Pin Kits	Pin Kit - Kickstand Spring	●			●	●				
1304781	MSC04675		Pin Kit - Coupler Spring	●			●		●		●	
1304782	MSC07699		Pin Kit - Coupler Spring 10 Foot Plow					●				
1304783	MSC09664		Pin Kit - Threaded Pin Horizontal Hinge 10 Foot V									●
1304784	MSC04251		Pin Kit - Pivot	●			●		●		●	●
1304785	MSC09649		Pin Kit - Threaded Pin Horizontal Hinge								●	
1304770	TFR09708	Push Frame Assemblies	Push Frame Assembly								●	
1304712	MSC01570	Shoe Assemblies and Parts	Heavy Duty Plow Shoe Assembly - Center Shoe	●		●	●	●			●	●
1304713	TRP07880		Heavy Duty Plow Shoe Assembly - Trip Edge						●			
1304710	STB03220	Stands and Legs	Plow Kickstand	●			●	●	●			
1304715	MSC01509	Trip Springs	14-1/2 Inch Trip Spring	●	●	●	●	●	●	●	●	
1304716	MSC07705		17-7/8 Inch Trip Spring								●	●

SNOWPLOW REPLACEMENT PARTS



FISHER REPLACEMENT PARTS BY OEM CROSSOVER

PART NUMBER	OEM PART	CATEGORY	DESCRIPTION	EZ-V	HC	HD	HD2/HDX	HS	HT	LD	MC	MM	RD	SD	XBLADE	XLS	XV/XV2
1316305	8627		A-Frame Assembly			●											
1302300	5523K	Connecting, Clevis and Pivot Pins	Clevis Pin with Cotter 3/4 x 2-3/16 Inch			●										●	
1302320	6814		Clevis Pin 1 x 3-1/4 Inch			●					●			●	●		
1302322	26060		Pivot Pin 1 x 16 Inch			●									●		
1302323	20988		V-Plow Pivot Pin 13/16 x 29-9/16 Inch	●													
1302325	7903K		Anchor Pin With Cotter Pin 1 x 4 Inch			●					●				●	●	
1302327	22260		Cylinder Pin 1 x 4-3/4 Inch			●								●	●	●	●
1302328	26219		Clevis Pin Kit 3/8 x 3-1/4 Inch		●	●	●		●		●			●	●	●	●
1302330	6920		Connecting Pin Assembly									●					
1302340	821		Connecting Pin Spring		●	●	●		●		●			●	●	●	●
1302370	5142		Pin 1-1/4 x 5-1/2 Inch									●					
1302375	5150		Pin 1-1/4 x 4-7/8 Inch									●					
1306405	A5843	Controls and Accessories	105 Inch Joystick Cable									●					
1306410	A5844		105 Inch Joystick Cable Adjustable									●					
1306902	9400		Snow Plow Hand Controller									●					
1306954	28800		Controller for Fisher® V-Plows			●			●		●			●	●	●	
1306956	29800		Controller for Fisher® XLS Snow Plows			●			●		●			●	●	●	
1304217	56709	Cylinders and Parts	2 x 10 Inch Power Double Acting Angling Cylinder	●													
1304310	A5166		2 x 16 Inch Power Angling Cylinder			●				●	●		●		●		
1304311	56718		1-1/2 x 6 Inch Power Single Acting Lift Cylinder			●				●	●		●		●		
1304312	56603		1-1/2 x 12 Inch Power Single Acting Angling Cylinder			●	●			●	●		●		●		
1304646	43803		1-1/2 x 13-15/16 Inch Power Side Box Cylinder													●	
1305200	339		Packing Set 1-1/2 Inch									●					
1305316	56556		Seal Kit 1-1/2 Inch Cylinder			●				●	●		●		●		
1306445	5797	Electrical	60 Inch Red Battery Cable									●					
1306450	5798		60 Inch Black Ground Cable									●					
1306455	5799		22 Inch Red Battery Cable									●					
1302397	27930	Emergency Repair Kits	Under-The-Seat Emergency Repair Kit									●					
1301065	5572	Hardware	Cutting Edge 5/8 x 2-1/2 Inch Grade 5 Carriage Bolt With Locknut - Set Of 12														●
1302309	90353		Trip Spring Nut													●	

INFORMATION

FISHER REPLACEMENT PARTS BY OEM CROSSOVER, CONTINUED

PART NUMBER	OEM PART	CATEGORY	DESCRIPTION	EZ-V	HC	HD	HDZ/HDX	HS	HT	LD	M/C	N/M	RD	SD	XBLADE	XLS	XV/XV2
1302360	A6148		Clevis Kit		•	•	•				•			•	•	•	•
1304225	4424	Hydraulics	Hydraulic Hose 1/4 x 38 Inch	•		•				•	•	•	•				
1304231	56832		Hydraulic Hoses 1/4 x 8 Inch With FJIC Ends		•	•					•			•	•		
1304233	56830		Hydraulic Hoses 1/4 x 22 Inch With FJIC Ends					•	•								
1304315	319		Swivel Adapter 90° Ad Union (Male) 1/4 Inch NPTF/NPSM									•					
1304320	5804		7/8 Inch Snap Ring									•					
1304325	A1587		1/4 Inch Quick Disconnect Coupler									•					
1304026	A1587		1/4 Inch Hydraulic Coupler (Bulk, 100 per Box)									•					
1304330	1588		Male Dust Plug									•					
1304335	2315		90° Swivel Adapter									•					
1304340	4424		Hydraulic Hoses 1/4 x 36 Inch With MP Ends	•		•				•	•	•	•				
1304345	2780		Brass Street Elbow 1/4 Inch NPTF 90°									•					
1304347	56599		Hydraulic Hoses 1/4 x 36 Inch With FJIC Ends														•
1304348	56710		Hydraulic Hoses 1/4 x 32 Inch With FJIC Ends					•	•								
1304627	56591		Hydraulic Hoses 1/4 x 42 Inch With FJIC Ends														•
1306427	8764		In-line Filter Kit									•					
1306465	3058		Hydraulic Adapter 9/16 Inch O-Ring To 1/4 Inch NPT									•					
1306466	56725		90° Hydraulic Adapter 9/16 O-Ring To Straight Thread		•	•	•		•					•	•	•	•
1306326	21500	Motors	4-1/2 Inch Motor Tang Shaft		•	•	•				•			•	•	•	•
1306415	A5819		4-1/2 Inch Motor									•					
1303250	50700	Shoe Assemblies and Parts	Shoe Assembly Kit													•	
1303300	26523		6 Inch Anti-Wear Shoe Assembly			•					•						
1303305	A5517		7 Inch Anti-Wear Shoe Assembly								•						
1303310	6821		Shoe Tube Holder			•							•				
1303320	308K		Shoe Pin								•						
1306401	42901	Solenoids	Motor Relay Solenoid		•	•			•		•			•	•	•	
1315205	27462	Stands and Legs	Plow Jack Leg			•	•								•	•	•
1302207	21452	Trip Springs	Trip Spring						•		•			•	•		
1302305	A3770		Trip Spring Assembly			•							•				
1302309	90353		Trip Spring Nut													•	

INFORMATION

SNOWPLOW REPLACEMENT PARTS



FISHER REPLACEMENT PARTS BY OEM CROSSOVER, CONTINUED

PART NUMBER	OEM PART	CATEGORY	DESCRIPTION	EZ-V	HC	HD	HDZ/HDX	HS	HT	LD	MC	MM	RD	SD	XBLADE	XLS	XV/XV2
1302310	27406		Trip Spring			●											
1302315	6631		Trip Spring Bar			●							●				

WESTERN REPLACEMENT PARTS BY OEM CROSSOVER

PART NUMBER	OEM PART	CATEGORY	DESCRIPTION
1306478	49211	Controls and Accessories	Pump Unit Kit
1306902	56462		Snow Plow Hand Controller
1306942	96900		Controller for Western® Straight Blade Snow Plows
1306944	96600		Controller for Western® V-Plows
1306946	96500		Controller for Western® Wide-Out™ Snow Plows
1313005	55363		"Old Style" Control Cable
1313010	56035		"New Style" Control Cable
1313015	56130		Adjustable "New Style" Control Cable
1314000	56018		Control Assembly Kit With Cables
1314002	49016		Control Assembly Knob And Lever Assembly
1314003	49017		Control Assembly Lockspool
1314005	56026		Control Assembly Contact Strip Copper
1304202	56614	Cylinders and Parts	1-1/2 x 10 Inch Single Acting Angling Cylinder
1304203	64148		1-1/2 x 12 Inch Single Acting Lift Cylinder
1304204	56750		2 x 11 Inch Double Acting Lift Cylinder
1304205	56102		1-1/2 x 10 Inch Power Angling Cylinder New Style
1304206	49460		1-1/2 x 10 Inch Power Angling Cylinder
1304218	44341		1-3/4 x 11 Inch Power Angling Cylinder
1304220	25878		2 x 16 Inch Heavy-Duty Angling Cylinder
1306330	55984	Electrical	60 Inch Black Ground Cable
1306335	25635		60 Inch Red Battery Cable
1306340	22511		22 Inch Red Battery Cable
1315310	49317	Emergency Repair Kits	9-Pin Male Plow Harness Repair Kit
1315315	49308		9-Pin Female Vehicle Harness Repair Kit
1304412	48523	Hardware	Plunger with Spring
1306351	66608		Cartridge 31 With Nut 3-Way
1304227	56616	Hydraulics	Hydraulic Hose 1/4 x 42 Inch With FJIC Ends
1304229	56617		Hydraulic Hose 1/4 x 16 Inch With FJIC Ends
1304230	25519		1/4 Inch Hex Nipple
1304232	44347		Hydraulic Hose 1/4 x 12 Inch With FJIC Ends
1304235	92210		1/4 Inch Street 90° Elbow
1304236	44351		Hydraulic Hose 3/8 x 38 Inch With FJIC Ends
1304237	44350		Hydraulic Hose 3/8 x 45 Inch With FJIC Ends
1304238	56615		6M O-Ring Street 90° Elbow Kit
1304240	92278		1/4 Inch Male 90° Elbow Short
1304249	49532		Hydraulic Hose 3/8 x 36 Inch With FJIC Ends
1304263	49496		Hydraulic Hose 3/8 x 42 Inch
1305211	25944		Packing Nut 1-1/2 Inch Ram
1306326	21500	Motors	4-1/2 Inch Motor Tang Shaft
1302225	93063	Pivot Pins	3/4 x 3-1/2 Inch Rivet
1302325	93079		1 x 3-1/2 Inch Rivet
1302240	93080		1 x 5 Inch Rivet

WESTERN REPLACEMENT PARTS BY OEM CROSSOVER, CONTINUED

PART NUMBER	OEM PART	CATEGORY	DESCRIPTION
1302245	93028		Hitch Pin With Hairpin Cotter
1302255	91965		Hairpin Cotter Pin 5/32 x 3 Inch
1304400	67974		Pivot Pin Driver Side
1304401	67977		Pivot Pin Passenger Side
1303203	61353	Plow Shields	Uni-Mount Plow Stand
1303204	63586		Lock Pin Plow Stand
1303206	67847		Ultra Mount Plow Stand With Pin
1303207	26463/67635		Slotted Pin Spring 1/4 x 2 Inch
1304416	76722	Receivers	Receiver Driver Side
1304417	76718		Receiver Passenger Side
1304408	60338	Shock Absorbers	Shock Absorber
1304409	63979		Shock Absorber
1303200C	49067	Shoe Assemblies and Parts	Standard Shoe Assembly Casting
1303205	91109/91192		Shoe Washer 1/8 Inch Thick
1303210	60045		Shoe Spacer 1-1/2 Inch Long
1303215	93010		Shoe Linch Pin
1303220	49071		Heavy-Duty Shoe Assembly
1303230	62637		Shoe Assembly Casting
1303250	43088		Shoe Assembly
1304413	67845	Stands and Legs	Plow Stand Assembly - DS
1304414	67846		Plow Stand Assembly - PS
1302205	23039	Trip Springs	Trip Spring
1302207	21452		Trip Spring

REPLACEMENT PARTS BY OEM PART NUMBERS

PART NO. PAGE NO.

AIR-FLO®

12-SS6E-SS.....	102
14-SS6E-SS.....	102
40012.....	102
40014.....	102
40092.....	102
40142.....	102
40155.....	102
5004.....	104
60065.....	102
60067.....	102
60069.....	102
70074.....	102
70076.....	102
MSS.....	7
PSV-8 Electric.....	16

ARCTIC®

90151N.....	106
AG10E.....	106
AG6E.....	106
AG8E.....	106

BLIZZARD®

3427.....	152
40597.....	85
40696.....	85
40697.....	85
40698.....	85
49071.....	86
49492.....	86
49690.....	86
50695.....	86
50700.....	86
52294.....	86
60045.....	86
63336.....	152
64758.....	85
66892.....	85
66991.....	85
66999.....	85
78076.....	102
84951.....	86
86990.....	86
91109.....	86
93010.....	86
94898.....	102
95755-1.....	106
96550.....	86
B11962.....	150
B52067.....	150
B52095.....	150
B52139.....	85, 150
B60029.....	85
B60058.....	86
B60065.....	85
B60207.....	85
B60221.....	85
B60236.....	85
B60237.....	85

PART NO. PAGE NO.

B60255.....	85
B60273.....	153
B60347.....	85
B61049.....	85
B61164.....	85, 150
B61259.....	85, 150
B61292.....	150
B61528.....	150
B61532.....	85, 150
B61625.....	85, 150
B80051.....	86, 152
BB61528.....	85
Ice Chaser.....	9, 10, 106
SA84400.....	86
SA84455PP.....	86
SA84455V.....	86

BONNELL™

000700.....	114
007025.....	114

BOSS®

BAL17541.....	55
BAL18160-03.....	53, 54
BAR18170-03.....	53, 54
BAX00034.....	50, 51, 55, 154
BAX00096.....	51, 52, 53, 55, 154
BAX00097.....	52, 54
BAX00098.....	52, 54
BAX00099.....	52, 54
CHA01015.....	54
DXT.....	55
HDW01744.....	51, 52, 55, 154
HYD01563.....	50, 51, 52, 53, 154
HYD01603.....	52, 56, 154
HYD01620 50, 51, 52, 53, 56, 154	
HYD01633.....	58, 152
HYD01637.....	58
HYD01638.....	58
HYD01684 50, 51, 52, 53, 58, 154	
HYD01690 50, 51, 52, 53, 58, 154	
HYD01695 50, 51, 52, 53, 56, 153, 154	
HYD01707.....	56
HYD01810.....	50, 51, 53, 56, 153, 154
HYD07013.....	56
HYD07018 50, 51, 52, 53, 56, 154	
HYD07020 50, 51, 52, 53, 56, 154	
HYD07042.....	51, 52, 53, 56, 153, 154
HYD07575.....	52, 56, 153, 154
HYD07714.....	56
HYD08830.....	51, 56, 154
HYD08831.....	152

PART NO. PAGE NO.

HYD09328.....	55
HYD09430.....	56
HYD09731.....	56
HYD0992250, 51, 52, 53, 56, 153, 154	
HYD12825.....	56
HYD1563.....	55
HYD1563-2.....	55
HYD19121.....	56, 153
HYD19260.....	56
MSC01501.....	55
MSC01509.....	50, 51, 52, 53, 55, 154
MSC01517.....	56
MSC01565.....	55
MSC0157050, 51, 52, 53, 55, 154	
MSC01870 50, 51, 52, 53, 57	
MSC03807.....	51, 53, 57, 154
MSC04251.....	51, 52, 53, 57, 154
MSC04544.....	59
MSC04675.....	51, 52, 53, 57, 154
MSC04676.....	51, 52, 53, 154
MSC04687.....	58
MSC04744.....	58
MSC04753.....	50, 51, 52, 53, 59, 154
MSC04754.....	50, 51, 52, 53, 59, 154
MSC05056.....	51, 52, 53, 55, 154
MSC05076.....	58
MSC0676.....	57
MSC07699.....	51, 57, 154
MSC07705.....	52, 53, 55, 154
MSC0793.....	57
MSC0794.....	57
MSC07973.....	154
MSC07974.....	51, 53, 154
MSC09601.....	59
MSC09649.....	52, 57, 154
MSC09664.....	53, 57, 154
MSC11050.....	56
MSC1106.....	59
MSC11107.....	59
MSC13071.....	55
MSC14275.....	55
MSC17545.....	56
MSC18100.....	56
MSC19270.....	54
MSC19271.....	54
MSC19275.....	54
MSC19276.....	54
STB00317.....	54, 151
STB00318.....	54, 151
STB00319.....	54, 151
STB03002.....	54, 150
STB03003.....	54, 150, 151
STB03071.....	54, 150
STB03072.....	54, 151
STB03220.....	51, 53, 59, 154

PART NO. PAGE NO.

STB03242.....	54, 151
STB04816.....	56
STB06535.....	54
STB07537.....	54, 151
STB09602.....	50, 51, 59, 154
STB19290-03.....	54
STB19295-03.....	54
TFR09708.....	52, 54, 154
TGS15532.....	104
TGS600.....	6
TGS800.....	7
TRP07880.....	55, 154
VBX 8000.....	9

CHAR-LYNN

1101-1001-009.....	116
101-1003-009.....	116
101-1007-009.....	116
101-1008-009.....	116
101-1026-009.....	116
101-1027-009.....	116
101-1031-009.....	116
101-1313-009.....	116
101-1319-009.....	116

CURTIS™

1CS6E-M.....	106
1TBP49A.....	150
1TBP49A.....	150
1TBP49B.....	150
1TBP49B.....	150
1TBP49J.....	150
1TBP61A.....	152
1TBP98C.....	153
1TBP98D.....	153
1TP49C.....	151
1TS17-E15.....	102

DOWNEASTER®

SPEV110A.....	103
SPGV110A.....	103
SPGV110A.....	103
SPHL112.....	103
SPHL113.....	103
SPHL114.....	103
SPHL116.....	103
SPV1408.....	103
SPV1410.....	103

DIAMOND®

15689.....	78
81100011.....	74
81700020.....	75
81700026.....	77
801100019.....	72
801100020.....	72
811000095.....	74
811000095.....	123
811000233.....	72

PART NO. PAGE NO.

811000233.....	150
816000255.....	80
875200100.....	77
875200100.....	77

EVEREST®

3P1607.....	114
3S0664.....	114
9B0157.....	114
9B0543.....	114
9B0566.....	114
9B0589.....	114
9B0637.....	114
9B0730.....	114

FISHER®

12326.....	71
12793.....	71
13608.....	71
1588.....	63, 68, 156
195755.....	106
20116.....	60, 61, 63
20116K.....	67
20117.....	60, 61, 63
20117K.....	67
20134.....	105
20136.....	105
20150.....	104
20321.....	105
20322.....	104
20334.....	102
20351.....	105
20988.....	155
21452.....	66, 156
2150060, 61, 62, 63, 69, 156	
22245.....	71
22260.....	60, 61, 62, 67, 155
22335K.....	70
22336.....	63
22336K.....	70
22381K.....	71
2315.....	63, 69, 156
25861.....	70
26060.....	61, 67, 155
26219 60, 61, 62, 63, 67, 155	
26460.....	64, 151
26523.....	61, 63, 156
26652.....	64, 151
26858.....	61, 64
27177.....	60, 61, 62
27177K.....	67
27406.....	61, 66, 157
27426.....	64, 151
27427.....	151
27462.....	61, 62, 66, 156
27580.....	64, 151
27585.....	64, 151
27590.....	64, 151
2780.....	63, 156
2780K.....	68

REPLACEMENT PARTS BY OEM PART NUMBERS



PART NO.	PAGE NO.
27930	155
28391	64, 151
28600	69
28800	155
29800	69, 155
3058	63, 69, 156
307-1	66
308K	66, 156
319	63, 156
319K	68
330	68
339	63, 155
339K	67
3507	64, 151
375	68
419211	70
42901	152, 156
43118	65
43803	155
43885	65
43896	65
43897	65
44028	67
442460, 61, 63, 68, 153, 156	
44277-1	66
44282-2	65
44283-2	65
44316	68
44341	67
44361	60, 62
44403	65
44404	65
44421	65
44728	66
44866	68
44890	64
44891	64
44894	64
44898	64
44996	64
44997	64
49460	67
49501	68
49800	69
50625	64, 150
50645	62, 64
50678	64, 150
50700	156
5142	63, 67, 155
5150	63, 67, 155
51846	64
52675	64
52690	64
53595	66
5523K	67, 155
5532	64, 150
5533	64, 150
5534	64, 151
5551	60, 61, 65
5572	62, 155
56556	60, 61, 63, 67, 155
56591	62, 68, 156

PART NO.	PAGE NO.
56599	60, 62, 68, 153, 156
56603	60, 61, 63, 155
56603K	67
56709	61, 155
56709F	67
56710	60, 68, 153, 156
56718	60, 61, 63, 67, 155
56725	60, 61, 62, 63, 156
56830	68, 153, 156
56832	68, 153, 156
5763	63, 67
5794	67, 152
5794K-1	67, 152
5797	63, 70, 155
5798	63, 70, 155
5799	63, 70, 155
5804	63, 68, 156
5822	69, 70
5842	69
6064	69
63508	61, 64
63509	61, 64
63510	61, 64
65183	102
65195	105
65648	102
6597	64, 150
6598	64, 150
6599	64, 151
6631	60, 61, 66, 157
66608	60, 61, 63
66608K-1	70
66783K	70
67147	104
6814	60, 61, 63, 67, 155
6821	60, 61, 66, 156
68349	102
68350	105
68351	105
68396	116
68435	102
68474	102
68619	104
68662	104
6920	63, 155
6920K	68
7053K	70
7082	64, 151
75660	104
7634K-2	70
7636K-1	70
7637K-1	70
7639	70
765	68
78076	102
7903K	67, 155
7906K	66, 123
821	60, 61, 62, 63, 68, 155
83845	66
8627	61, 64, 155
8764	63, 70, 156
90353	62, 66, 155, 156

PART NO.	PAGE NO.
91003	66
9162	104
9163	105
9164	104
9166	105
9169	104
9171	104
9174	105
9176	104
9177	102
9183	104
9184	104
9187	105
9189	105
9191	105
9192	105
9193	104
9194	105
9196	105
9202	105
9206	105
9209	105
9400	60, 63, 69, 155
94536	104
94898	102
94953	104
95277	116
95470	116
95488	104
95755-1	106
95755-2	106
95894	105
96165	104
96167	104
99518	105
99560	116
A1587	63, 68, 156
A3770	60, 61, 66, 156
A5166	60, 61, 63, 155
A5166K	67
A5516	66
A5517	63, 66, 156
A5795	69
A5819	63, 69, 156
A5841	69
A5843	63, 69, 155
A5844	63, 69, 155
A6148	60, 61, 62, 63, 156
A6148K	69
M1351	104
PolyCaster	9, 10, 106

FLINK™

20096	102
21167	102
420T	104
420V	104
462-1	116
462F	116
462F-1	116
462F-11	116

PART NO.	PAGE NO.
462F-2	116
462L	116

FOX™

200-33009	116
-----------	-----

GLEDHILL™

15646-C	111
15647-C	111
1980-D3	114
7620-B	112
P110-12	116
P-110-13	116
P-110-5	116
P-110-7	116
P-110-9	116
P1371-13	116
PD832	114
PD937	114

GOOD ROADS®

61200344	114
62100383	114
62101007	114
90000926	102
90000930	102
94813077	116
94813078	116
94813079	116
99806239	114

HENDERSON®

10370	105
10477	105
10903	116
10927	116
10928	116
11114	104
3004	104
37340	116
405	105
50329	105
51832	116
51862	104
51863	105
51864	105
51866	105
51867	104
51874	105
51875	105
51883	105
51896	105
61134	104
61137	104
61167	105
61171	105
61201	102
61201-77034	102

PART NO.	PAGE NO.
61324	105
74453	116
75081	116
75210	116
75978	105
75979	105
75984	104
75986	105
77467-69	102
77467-77468	102
77470	102
77470-72	102
77471-77472	102
78499	104
80658	105
81275	104
81646	114
81863	114
81864	114
95001	112
95297	114
FSH	28, 29
FSM	25, 102
FSP	18
FSP Electric	16
TGS	35

HENKE®

7070057	114
7080101	114
7080103	114
7080104	114
7080655	114
7080740	114

HINIKER®

74902405	104
79204047	104
200-30002	116
200-33009	116
200-33018	116
401-00336	102
H-25010230	84

HI-WAY®

12993	102
12995	102
22563	104
34066	102
39605	102
79305	102
84723	102

MEYER®

04043-016-00	103
04043-043-00	103
04043-047-00	103
04043-048-00	103
04043-049-00	103

REPLACEMENT PARTS BY OEM PART NUMBERS

PART NO.	PAGE NO.
04043-050-00	103
04043-053-00	103
04043-071-00	103
04043-075-08	103
04043-075-09	103
04043-075-10	103
04045-037-00	103
04045-039-00	103
04045-039-00 SST	103
04045-056-00	103
04045-073-00	103
04045-082-00	103
04045-137-00	103
04045-390-08	103
04045-390-09	103
04053-042-00	103
08554C	73
09796HD	72
11859	73
11860	73
12057	74
12896-7	80
12898	80
12900	80
12901	80
12978	73
15054	78, 81
15072	77, 80
15162	81, 82
15163	82
15199	82
15206	81, 82
15208	81, 82
15254	81
15326	81
15356	78, 81
15357	78, 81
15358	81, 82
15358C	79
15370	78, 80, 152
15381	81, 82
15381C	79
15382	81, 82
15382C	78
15392	78, 81
15393	78, 81
15430	81, 82
15430C	79
15431	81
15433	81
15456	81
15606	79, 81, 82
15659	78, 81, 82
15660	78, 81, 82
15661	78, 81, 82
15670	79
15671	79
15672	79
15686	82
15687	82
15691	82
15697	82

PART NO.	PAGE NO.
15697C	78
15698	78, 81, 82
15705	82
15707	82
15727	78, 82
15729	82
15737	82
15738	81
15811	79
15821	77
15822	77
15841	78, 82
15847C	77
15848C	77
15916C	79
15917C	79
15918C	79
15919C	79
15958C	79
15974C	79
20420	74
21855	76, 80
21856	76
21856C	153
21857	76
21866	76
21918	78
21919	78
21929	82
21976	79
22083	74
22141	76
22144	76, 80
22154	77
22274	73
22291	77
22292	77
22293	77
22294	77
22375	73
22398	73
22884	153
22886	153
23037	77
23047	77
5001	81
5005041	104
5024	79
5437	75
551G	81
5752	75
5756	75
5810	75
5815	75
5880	75
5984	75
60290	104
60295	116
60324	116
61150	105
61151	105
61155	104

PART NO.	PAGE NO.
61156	105
61160	105
61163	104
61165	104
61171	104
61172	104
61179	105
61180	105
61196	105
61201	105
61203	105
61333	116
61353	116
61465	104
62066	105
62072	116
62343	103
62344	103
62345	103
62356	104
62400	104
62452	116
63181	103
7006	74
7017	73, 80
7086	74
7215	73
7235	72, 151
7259	72, 151
7705	75
7799	75
7805	75
7806	75
7955	75
7968	75
811000161	74
816000095040	153
8184	72
8186	72, 148, 149
8187	72, 148, 149
8189	72, 148, 149
8190	72, 148, 149
8191	72, 148, 149
8192	72, 148, 149
8193	72, 148, 149
8318	72
8473	80, 81
8541	73
8562	73, 80
9100	72, 150
9124	72, 80
9126	74
9127	74
9130	72, 150
9131	72, 150
9133	72, 150
9134	72, 150
9230	80
9362	74
9484	72
9485	72
9486	72

PART NO.	PAGE NO.
9592	74
9796	72, 150
9916	74, 123
Blaster 350	7
Hotshot 100	40
Hotshot 100HD	40
Mate	6
Mini JR	6
PV358 Electric	16

MONARCH®

03336	152
03427	152
B98596	152
S302	152

MONROE™

00057257-A	105
5006100	116
5006101	116
5006546	116
5006550	116
5006556	116
5010647	105
501284	105
5016106	104
5030023	104
5033024	104, 105
5036017	103
5036054	105
5036252	103
5036263	103
5041067	105
5050121	105
5050245	105
505121	105
57260	105
57269	105
57272	105
57415	104
57535	105

NORTHMAN™

31547CP	151
---------	-----

SMITH II®

120-7A	103
55416HC	103

SNO-WAY®

6101838	83
96001551	84
96002086	84, 152
96006002	83
96006141	83
96006142	83
96100085	84
96100237	150
96100275	83, 150

PART NO.	PAGE NO.
96100521	83
96101977	84
96102542	83
96103893	83
96104740	103
96105046	84
96105233	84
96106077	84
96106300	83
96106337	83, 151
96106376	83, 151
96106669	83, 151
96106696	83
96106802	84
96107455	84
96107649	83
96111764	106
96113617	106

SNOWEX®/ BLIZZARD®

D6332	104
40552	85
40597	85
40695	85
40696	85
40697	85
40698	85
49071	86
49492	86
49690	86
50695	86
50700	86
51043	104
52294	86
52578	152
60045	86
64758	85
66892	85
66991	85
66999	85
68662	104
75660	104
78076	102
84951	86
86990	86
91109	86
93010	86
94536	104
94898	102
96550	86
B11962	85
B52067	85
B52095	85
B52139	85
B60029	85
B60058	86
B60065	85
B60207	85
B60221	85
B60236	85

PART NO.	PAGE NO.	PART NO.	PAGE NO.
62595	99, 123	68662	104
62636	94	72617	97
62637	97, 160	75660	104
63508	94	76718	95, 160
63509	94	76722	95, 160
63510	94	78076	102
63586	160	78300	106
63678	94	83845	97
63979	96, 160	90238	101
63980	94, 151	90493	96
63985	94, 151	90493K	101
63990	94, 151	91109	97, 160
64148	98, 158	91192	160
64758	95	91335	101
64775	94, 151	9177	102
65171	104	91965	96, 160
65172	105	91965K	96, 101
65173	104	92208	98
65174	105	92210	98, 158
65177	104	92275	99
65178	104	92278	99, 158
65181	105	92997	105
65182	104	92998	104
65183	102	93010	97, 160
65191	104	93028	96, 160
65193	105	93033K	96
65195	105	93034K	96
65196	105	93061	96
65197	104	93063	96, 158
65198	105	93063K	101
65201	105	93077	96
65209	105	93079	96, 158
65211	105	93080	96, 158
65214	105	94536	104
65243	105	94898	102
65244	105	94953	104
65357	105	95277	116
65374	105	95470	116
6563	105	95488	104
65636	104	95608	104
65648	102	95755	106
66608	99, 158	95852	106
66783	99	95894	105
66892	95	96165	104
66991	95	96490	104
66999	95	96500	100, 158
67635	96, 160	96501	104
67842	95	99518	105
67844	97	96600	100, 158
67845	97, 160	96900	100, 158
67846	97, 160	99560	116
67847	96, 160	M1351	104
67855	95	Pro Flow 2	7
67974	95, 160	Tornado	9, 10
67977	95, 160	WB100B	40
68349	102	WB-160D	40
68350	105		
68351	105		
68396	116		
68435	102		
68474	102		
68619	104		

WHITE®

200400A015..... 116

REPLACEMENT PARTS BY OEM PART NUMBERS

NUMERICAL INDEX

PART NO.	PAGE NO.	PART NO.	PAGE NO.	PART NO.	PAGE NO.	PART NO.	PAGE NO.	PART NO.	PAGE NO.
0020500	122	1301805	110	1302370	63, 67, 155	1303600	84	1304237	68, 91, 98, 153, 158, 159
0203700	21, 24, 27, 34	1301806	110	1302375	63, 67, 155	1303700	84, 152	1304238	87, 88, 89, 90, 91, 92, 98, 101, 158, 159
1301005	72, 150	1301807	110	1302397	155	1303790	151	1304240	76, 92, 93, 99, 158, 159
1301010	72, 150	1301815	110	1303002	74	1304005	75, 152	1304242	68
1301015	72, 150	1301816	110	1303003	74	1304006	75, 152	1304243	68
1301016	72, 150	1301818	110	1303005	74	1304007	75	1304245	76, 99
1301025	72, 150	1301820	110	1303010	74	1304008	75	130424988	89, 90, 92, 98, 153, 158, 159
1301030	72, 150	1301821	110	1303015	74	1304010	75, 152	1304250	98
1301035	72, 150	1302005	72, 80, 88, 89, 90, 92, 93, 96, 101	1303020	74	1304015	75, 152	1304260	98
1301040	72, 150	1302010	73, 80	1303025	74	1304017	75	1304261	98, 153
1301045	72, 151	1302015	73	1303030	74	1304020	75, 152	1304263	98, 153, 158, 159
1301050	72, 151	1302017	73	1303031	74	1304021	77	1304264	98, 153
1301061	50, 51, 55, 60, 61, 65, 72, 83, 95, 154	1302030	73	1303032	74	1304022	77	1304300	60, 61, 63, 67, 152
1301062	72	1302031	73	1303033	74	1304025	77, 80, 99	1304301	60, 61, 63, 68
1301065	51, 52, 53, 55, 62, 65, 72, 95, 154, 155	1302036	73	1303100	74	1304026	63, 68, 77, 99, 156	1304305	60, 61, 63, 67, 152
1301100	72, 150	1302037	73	1303111	84	1304027	77	1304307	68
1301105	72	1302038	73	1303200C	88, 93, 97, 160, 161	1304028	77	1304310	61, 63, 67, 152, 155
1301106	72	1302045	73, 80	1303203	93, 96, 160, 161	1304028C	77	1304311	61, 63, 67, 152, 155
1301110	72	1302047	73	1303204	93, 96, 160, 161	1304029	77	1304312	61, 63, 67, 152, 155
1301111	72	1302049	73	1303205	86, 89, 91, 92, 93, 97, 160, 161	1304029C	77	1304315	63, 68, 156
1301112	72	1302097	80	1303206	88, 89, 90, 91, 92, 96, 160, 161	1304030	76, 153	1304320	63, 68, 156
1301200	93, 94, 151	1302205	88, 89, 90, 92, 93, 96, 101, 160, 161	1303207	90, 96, 160, 161	1304031	76	1304325	63, 68, 156
1301210	93, 94, 150	1302207	66, 96, 156, 160, 161	1303210	86, 88, 89, 90, 92, 97, 160, 161	1304033	76, 80	1304330	63, 68, 77, 156
1301215	93, 94, 151	1302220	90, 91, 96	1303215	86, 88, 89, 90, 91, 92, 93, 97, 160, 161	1304035	76	1304335	63, 69, 156
1301220	94, 150	1302225	88, 89, 90, 91, 92, 93, 96, 158, 159	1303220	86, 88, 89, 90, 92, 93, 97, 160, 161	1304043	153	1304340	60, 61, 63, 68, 156
1301225	64, 94, 151	1302235	96	1303225	66, 97	1304055	76, 80	1304345	63, 68, 156
1301230	94, 151	1302240	92, 96, 158, 159	1303230	91, 97, 160, 161	1304060	76	1304347	60, 62, 68, 156
1301235	94, 150	1302245	92, 93, 96, 160, 161	1303235	66, 97	1304100	75, 152	1304348	60, 68, 153, 156
1301240	94, 151	1302247	93, 96	1303240	66, 97	1304110	153	1304350	60, 62, 68
1301245	94, 150	1302252	89, 90, 91, 92, 93, 96, 101	1303245	86, 97	1304130	153	1304400	89, 91, 95, 160, 161
1301250	94, 151	1302255	89, 90, 91, 92, 93, 96, 160, 161	1303250	86, 97, 156, 160, 161	1304200	98, 152	1304401	89, 91, 95, 160, 161
1301255	94, 150	1302297	101	1303255	66, 97	1304201	88, 89, 90, 91, 92, 98, 152	1304402	61, 64, 91, 94
1301260	94, 151	1302300	67, 155	1303265	65, 95	1304202	89, 98, 152, 158, 159	1304403	61, 64, 91, 94
1301265	94, 150	1302305	60, 61, 66, 156	1303266	65, 95	1304203	90, 98, 152, 158, 159	1304408	88, 89, 92, 93, 96, 160, 161
1301270	94, 151	1302308	66	1303267	65, 95	1304204	91, 98, 152, 158, 159	1304409	96, 160, 161
1301275	94, 110, 151	1302309	62, 66, 155, 156	1303270	65, 95	1304205	92, 93, 98, 152, 158, 159	1304410	61, 64, 91, 94
1301280	64, 94, 110, 151	1302310	61, 66, 157	1303275	65, 95	1304206	67, 98, 152, 158, 159	1304412	88, 89, 90, 91, 92, 96, 158, 159
1301281	72, 94, 110, 151	1302315	60, 61, 66, 157	1303300	61, 63, 66, 156	1304210	98, 152	1304413	97, 160, 161
1301290	94, 151	1302319	60, 61, 62, 67	1303305	63, 66, 156	1304215	98, 152	1304414	97, 160, 161
1301291	85, 94, 150	1302320	60, 61, 63, 67, 155	1303310	60, 61, 66, 156	1304217	61, 67, 98, 152, 155	1304415	97
1301292	94, 151	1302322	61, 67, 155	1303315	66	1304218	67, 98, 158, 159	1304416	89, 90, 91, 92, 95, 160, 161
1301293	85, 94, 150	1302323	155	1303320	66, 156	1304220	92, 98, 152, 158, 159	1304417	89, 90, 91, 92, 95, 160, 161
1301294	85, 94, 151	1302324	67, 96	1303350	83	1304225	87, 88, 92, 93, 98	1304420	88, 89, 90, 91, 92, 95
1301295	85, 94, 151	1302325	67, 91, 92, 96, 155, 158, 159	13033515	150	1304226	87, 88, 92, 93, 98	1304420HDW	89, 90, 91, 92, 95
1301296	85, 94, 151	1302327	60, 61, 62, 67, 155	1303510	83, 151	1304227	87, 88, 89, 91, 92, 98, 101, 153, 158, 159	1304435	105
1301297	85, 94, 151	1302328	60, 61, 62, 63, 67, 155	1303530	83, 151	1304229	87, 88, 89, 91, 98, 101, 153, 158, 159	1304436	105
1301300	64, 150	1302330	63, 68, 74, 155	1303540	83, 151	1304230	92, 93, 98, 158, 159	1304440	65, 95
1301301	64, 150	1302334	60, 61, 62, 63, 68, 74, 155	1303542	110, 151	1304231	68, 88, 98, 153, 156	1304441	95
1301303	64, 150	1302345	68, 74	1303550	84, 152	1304232	88, 98, 158, 159	1304466	62, 64, 94
1301305	64, 150	1302360	60, 61, 62, 63, 69, 156	1303554	84, 152	1304233	68, 88, 98, 153, 156		
1301306	64, 150			1303557	84, 152	1304234	88, 91, 98, 153		
1301307	64, 151			1303585	84	1304235	87, 92, 93, 98, 158, 159		
1301309	64, 151			1303590	84	1304236	91, 98, 153, 158, 159		
1301310	64, 151								
1301311	64, 151								
1301312	64, 151								
1301800	110								

NUMERICAL INDEX



Snowplow
Watermark
Manufacturing

<u>PART NO.</u>	<u>PAGE NO.</u>	<u>PART NO.</u>	<u>PAGE NO.</u>	<u>PART NO.</u>	<u>PAGE NO.</u>	<u>PART NO.</u>	<u>PAGE NO.</u>	<u>PART NO.</u>	<u>PAGE NO.</u>
1304505	114	1304731	55	1304802	150	1306173	81, 82		155, 158, 159
1304510	114	1304732	55	1304803	151	1306174	81, 82	1306903	50, 51, 59, 154
1304512	112, 114	1304733	56, 153	1304804	150	1306175	81, 82	1306930	59
1304514	112, 114	1304737	50, 51, 52, 53, 56, 154	1304805	150	1306176	82	1306942	100, 158, 159
1304515	114	1304738	50, 51, 52, 53, 56, 154	1304806	54	1306183	82	1306944	100, 158, 159
1304520	112, 114	1304740	50, 51, 52, 53, 58, 154	1304818	123	1306186	81	1306946	100, 158, 159
1304530	114	1304741	50, 51, 52, 53, 58, 154	1304832	153	1306190	82	1306952	69
1304535	114	1304744	50, 51, 52, 53, 59, 154	1304833	153	1306195	82	1306954	69, 155
1304545	114	1304745	50, 51, 52, 53, 59, 154	1304900	106	1306200	82	1306956	69, 155
1304550	114	1304750	54, 150	1305100	75	1306202	82	1306972	59
1304555	114	1304751	54, 150	1305105	75	1306210	82	1306982	86
1304565	114	1304752	54, 150, 151	1305110	75	1306212	82	1306984	86
1304570	114	1304753	54, 151	1305115	75	1306220	82	1306986	86
1304600	85, 150	1304754	54, 151	1305200	63, 67, 87, 92, 93, 98, 155	1306225	82	1306992	86
1304601	85, 150	1304755	54, 151	1305211	63, 67, 87, 92, 98, 158, 159	1306300	100, 152	1306996	86
1304602	85, 150	1304757	54, 151	1305316	60, 61, 63, 67, 155	1306310	87, 89, 100, 152	1307005	4, 71, 79, 83, 101
1304604	85, 150	1304758	54, 151	1306005	78, 81	1306317	100, 101, 152	1307010	4, 71, 79, 83, 101
1304605	85, 150	1304759	54, 151	1306007	78, 82	1306318	100, 152	1307014	4, 71, 79, 83, 101
1304627	62, 68, 156	1304760	52, 54	1306015	78, 81	1306320	87, 100	1307015	4, 71, 79, 83, 101
1304633	153	1304761	52, 54	1306016	78, 81	1306325	87, 92, 100	1307020	4, 71, 79, 83, 101
1304640	85, 152	1304762	52, 54	1306020	78, 81	1306326	60, 61, 62, 63, 69, 87, 88, 89, 90, 91, 92, 100, 156, 158, 159	1308005	4, 74, 123
1304641	85, 152	1304764	53, 54	1306025	78, 81, 82	1306330	87, 101, 158, 159	1308006	74, 123
1304642	85, 152	1304765	53, 54	1306030	78, 81, 82	1306335	87, 101, 158, 159	1308010	74, 99, 123
1304643	85, 152	1304766	54	1306031	79	1306340	87, 101, 158, 159	1308102	83, 123
1304644	85, 152	1304767	54	1306035	78, 81, 82	1306345	58, 70, 86, 87, 88, 89, 90, 91, 92, 99	1308103	66, 123
1304645	85, 152	1304768	54	1306040	78, 81, 82	1306350	70, 86, 87, 92, 99	1308105	4, 123
1304646	85, 152, 155	1304770	52, 56, 152, 154	1306045	78, 81, 82	1306351	60, 61, 63, 70, 86, 87, 88, 89, 90, 99, 158, 159	1308106	123
1304647	152	1304772	54	1306051	79	1306355	70, 87, 88, 89, 90, 92, 99	1308107	123
1304648	86	1304773	54	1306055	79, 81, 82	1306356	70, 87, 99	1308110	4, 123
1304700	52, 56, 152, 154	1304774	56	1306060	79, 81, 82	1306360	58, 70, 86, 88, 89, 90, 91, 92, 99	1308111	123
1304701	56, 152	1304775	56	1306065	79, 81, 82	1306375	69, 70, 87, 92, 100, 101	1308115	4, 123
1304704	50, 51, 56, 152, 154	1304776	51, 52, 53, 55, 154	1306066	79	1306400	67	1308124	4, 123
1304706	56	1304777	51, 52, 55, 154	1306067	79	1306401	67, 156	1308128	4, 123
1304707	56	1304778	54	1306070	78, 80, 105, 152	1306405	63, 69, 155	1308136	4, 123
1304710	50, 51, 53, 59, 154	1304779	55	1306075	78	1306410	63, 69, 155	1308150	123
1304711	55	1304780	51, 53, 57, 154	1306080	78	1306415	63, 69, 156	1308200	4, 50, 51, 52, 53, 57, 83, 85, 99, 123
1304712	50, 51, 52, 53, 55, 154	1304781	50, 51, 52, 53, 57, 154	1306083	77	1306427	63, 70, 80, 156	1308205	90, 91, 92, 99, 123
1304713	50, 55, 154	1304782	51, 57, 154	1306091	77	1306445	63, 70, 155	1308210	88, 89, 90, 92, 93, 99, 123
1304715	50, 51, 52, 53, 55, 154	1304783	53, 57, 154	1306092	77	1306450	63, 70, 155	1308215	88, 89, 90, 92, 93, 99, 123
1304716	52, 53, 55, 154	1304784	50, 51, 52, 53, 57, 154	1306095	71, 79, 101	1306455	63, 70, 155	1308300	66, 123
1304717	55	1304785	52, 57, 154	1306100	80, 81	1306465	60, 61, 62, 63, 69, 156	1308600	124
1304718	50, 51, 52, 53, 55, 154	1304787	50, 51, 52, 53, 57, 154	1306105	79, 81, 82	1306466	156	1308890	107
1304719	58, 152	1304788	57, 154	1306110	79	1306478	70, 87, 92, 101, 158, 159	1308900	107
1304720	55	1304789	51, 53, 57, 154	1306115	79	1306490	70, 87, 92, 101	1308901	107
1304721	50, 51, 52, 53, 56, 153, 154	1304790	58	1306116	79	1306505	117, 152	1308902	107
1304723	56	1304791	56	1306117	79	1306510	117, 152	1308903	107
1304724	50, 51, 52, 53, 56, 154	1304792	56	1306120	79	1306515	152	1308904	107
1304725	50, 51, 52, 53, 56, 153, 154	1304793	56	1306125	79	1306517	152	1308905	107
1304726	52, 56, 153, 154	1304796	59	1306130	81	1306890	5	1308906	107
1304727	56	1304797	59	1306135	81	1306901	77	1308907	107
1304728	50, 51, 53, 56, 153, 154	1304798	58	1306150	81	1306902	60, 63, 69, 87, 100,	1308908	107
1304729	50, 51, 52, 53, 56, 153, 154	1304799	58	1306152	81			1308918	107
1304730	56	1304801	150	1306153	81			1308920	107
				1306155	81			1309005	80
				1306165	81			1309010	80
				1306170	81			1309015	80
								1309020	80

NUMERICAL INDEX

<u>PART NO.</u>	<u>PAGE NO.</u>	<u>PART NO.</u>	<u>PAGE NO.</u>	<u>PART NO.</u>	<u>PAGE NO.</u>	<u>PART NO.</u>	<u>PAGE NO.</u>	<u>PART NO.</u>	<u>PAGE NO.</u>
1309025.....	80	1312105.....	94, 148, 149	1317017.....	110, 151	1317262.....	112	1420101.....	21, 22
1309030.....	80	1312110.....	94	1317018.....	110, 151	1317263.....	112	1420150.....	22, 105
1309035.....	80, 83, 122	1312115.....	94, 148, 149	1317019.....	110, 151	1317265.....	113	142X150.....	105
1309040.....	80	1312120.....	94, 148, 149	1317021.....	110, 151	1317270.....	113	142X150.....	22
1309046.....	122	1312125.....	94, 148, 149	1317023.....	110, 151	1317275.....	113	1430004.....	105
1309052.....	122	1312130.....	94, 148, 149	1317024.....	110, 151	1317280.....	113	1450110.....	102, 103
1309080.....	122	1312135.....	94, 148, 149	1317025.....	110, 151	1317288.....	112	1450111.....	102
1309090.....	122	1312200.....	126, 127	1317026.....	110	1317290.....	113	1450120.....	102
1309096.....	122	1312202.....	61, 64, 94	1317038.....	110, 151	1317292.....	112	1450150.....	102
1309102.....	122	1312220.....	64, 148, 149	1317039.....	110, 151	1317294.....	112	1450155.....	102
1309108.....	122	1312225.....	64, 148, 149	1317040.....	110, 151	1317295.....	113	1450156.....	102
1309120.....	122	1312226.....	64, 148, 149	1317041.....	110, 151	1320908.....	122	1450160.....	102
1309132.....	122	1312230.....	64, 148, 149	1317043.....	110	1320910.....	122	1450171.....	102
1309144.....	122	1312505.....	110	1317046.....	110, 151	1321210.....	122	1450173.....	102
1309200.....	5	1312510.....	110	1317047.....	110, 151	1321211.....	122	1450190.....	102
1310020.....	80	1312515.....	110	1317100.....	111	1321212.....	122	1451109.....	102
1310220.....	101	1312520.....	110	1317103.....	111	1400050SS.....	18	1451110.....	102
1310410.....	122	1312525.....	110	1317105.....	114	1400100SS.....	18	1451111.....	102
13104101.....	122	1312534.....	110	1317106.....	114	1400202SS.....	18	1451112.....	102
1311006.....	75, 127	1312536.....	110	1317107.....	114	1400252SS.....	18	1451113.....	102
1311100.....	126, 127	1312537.....	110	1317108.....	114	1400601SS.....	16	1452150.....	102
13111001.....	126	1312546.....	110, 149	1317110.....	111	1400801SS.....	16	1453108.....	102
13111002.....	126	1312547.....	110, 149	1317111.....	111	1401100P.....	20, 21, 22	1453110.....	102
13111003.....	126	1312548.....	110, 149	1317117.....	112	1401100RL ..	19, 20, 21, 22, 103	1453112.....	102
13111008.....	126	1312549.....	110, 149	1317119.....	112	1401101RL.....	20, 24, 27, 103	1453115.....	103
1311101.....	126	1313005.....	87, 100, 158, 159	1317120.....	111	1401102RL.....	34, 103	1453120.....	103
1311102.....	126	1313010.....	100, 158, 159	1317121.....	111	1401103RL.....	103	1453160.....	102
1311103.....	126	1313015.....	100, 158, 159	1317125.....	111	1401150.....	22, 24, 27, 105	1453168.....	102
1311110.....	126	1314000 ..	69, 87, 100, 158, 159	1317126.....	111	1401200.....	24, 27, 104	1454110.....	102, 103
1311200.....	94	1314001.....	69, 100	1317129.....	111	1401300.....	19, 21, 22	1454112.....	102, 103
1311201.....	91, 94	1314002.....	69, 100, 158, 159	1317130.....	111	1401500.....	22	1454125.....	102
1311202.....	64, 91, 94	1314003 ..	69, 87, 100, 158, 159	1317131.....	111	1405100.....	104	1454150.....	102
1311203.....	64, 91, 94	1314005 ..	69, 87, 100, 158, 159	1317132.....	111	1405150.....	104	1454151.....	102
1311204.....	64, 91, 94	1314007.....	69, 100	1317140.....	111	1410200. 19, 20, 21, 22, 37, 104		1454154.....	102
1311206.....	64, 91, 94	1315205.....	61, 62, 66, 156	1317141.....	111	1410250.....	19, 20, 21, 22, 105	1454155.....	102
1311207.....	64, 91, 94	1315310 ..	70, 87, 101, 158, 159	1317150.....	112	1410302.....	104	1454160.....	102
1311208.....	64, 91, 94	1315315 ..	63, 70, 87, 101, 158, 159	1317180.....	114	141036SSK.....	22	1455110.....	102, 103
1311211	85, 88, 89, 90, 95	1316110.....	71	1317181.....	114	141050WSS.....	104	1455113.....	102
1311212.....	85, 89, 90, 95	1316115.....	71	1317182.....	114	141055K.....	22	1455115.....	102
1311213.....	85, 89, 90, 95	1316120.....	71	1317183.....	114	141065K.....	22	1455150.....	102
1311214.....	85, 89, 90, 95	1316126.....	71	1317184.....	114	1410702.....	22, 24, 27, 105	1455155.....	102
1311216.....	65, 91, 95	1316140.....	71	1317185.....	114	1410706.....	22, 104	1455160.....	102
1311217.....	65, 91, 95	1316305.....	61, 64, 155	1317186.....	114	1410711.....	22	1455200.....	103
1311220.....	94	1317000.....	110, 151	1317187.....	114	1410713.....	105	1455210.....	103
1311221.....	94	1317001.....	110, 151	1317200.....	112	1410717.....	22, 24, 27, 106	1455215.....	103
1311800.....	59, 126, 127	1317002.....	110, 151	1317210.....	112	1410719.....	105	1456110.....	103
1311810.....	59, 126, 127	1317003.....	110, 151	1317212.....	112	1410720.....	22	1457110.....	103
1311815.....	59	1317004.....	110, 151	1317214.....	112	1410803.....	24, 27, 104	1457112.....	103
1311820	71, 86, 101, 126, 127	1317005.....	64, 110, 150	1317216.....	112	1411000.....	8, 22, 24, 27	1457115.....	103
1311830.....	77, 126, 127	1317006.....	110, 151	1317218.....	112	1411001	19, 20, 21, 22, 104	1457120.....	103
1311890.....	126, 127	1317007.....	110, 151	1317220.....	113	1411500.....	24, 27, 105	1457150.....	102, 103
1312000.....	126, 127	1317008.....	110, 151	1317222.....	112	1411800.....	22, 24, 27, 105	1457157.....	102, 103
1312005.....	72, 148, 149	1317009.....	110, 151	1317230.....	113	1411907.....	22, 24, 27, 105	1457160.....	102, 103
1312010.....	72, 148, 149	1317010.....	110, 151	1317235.....	113	1411915.....	22, 24, 27, 105	1457165.....	102, 103
1312020.....	72, 148, 149	1317011.....	110, 151	1317240.....	113	1412000.....	105	1457166.....	103
1312025.....	72, 148, 149	1317012.....	110, 151	1317245.....	113	1412300.....	22, 105	1458110.....	103
1312030.....	72, 148, 149	1317013.....	110, 151	1317246.....	112	1420004.....	22, 105	1458115.....	103
1312035.....	72, 148, 149	1317014.....	110, 151	1317250.....	113	1420014.....	105	1458200.....	103
1312040.....	72, 148, 149	1317015.....	110, 151	1317255.....	113	142005ASS.....	22, 105	1458210.....	103
1312100.....	126, 127	1317016.....	110, 151	1317260.....	112	1420100.....	104	1458213.....	103

NUMERICAL INDEX



Snowplow Market
Manufacturing

PART NO.	PAGE NO.	PART NO.	PAGE NO.	PART NO.	PAGE NO.	PART NO.	PAGE NO.	PART NO.	PAGE NO.
1458215.....	103	1492118.....	145	1492290.....	144	3008338.....	24, 27	3014199.....	14, 15, 19, 20, 41
1459100.....	103	1492119.....	145	1492300.....	143	3008339.....	24, 27	3014346.....	153
1459112.....	103	1492127.....	143	1492301.....	143	3008388.....	24, 27	3014347.....	153
1470601SSE.....	17	1492128.....	144	1492302.....	143	3008390.....	19	3014441.....	8
1470601SSH.....	17	1492129.....	145	1492303.....	143	3008560.....	23, 25, 32, 109	3014462... 19, 20, 21, 24, 27, 34, 37	
1470801SSE.....	17	1492134.....	145	1493215.....	143	3008611.....	24, 27	3014539.....	24, 27
14708F380211.....	23	1492135.....	145	1493501SS.....	22	3008620.....	8	3014778 ... 19, 20, 21, 24, 27, 37	
14708F381211.....	23	1492137.....	145	1496505 ..18, 19, 20, 21, 22, 23,	25	3008632.....	107	3014857.....	40
14708F382211.....	23	1492138.....	146	1497051.....	25	3008835.....	24, 27	3014858.....	37
14708F383211.....	26	1492139.....	146	1497505SS.....	22, 105	3008838.....	19	3015134.....	34
14708F387211.....	26	1492144.....	32, 108	1498551.....	22	3008860.....	20, 21, 24, 27	3015371.....	8
14708F460211.....	25	1492160.....	146	1498561.....	22	3008872.....	24, 27	3015377.....	8
14708F461211.....	25	1492161.....	146	1498571.....	22	3009067.....	104	3015382.....	8
14708F462211.....	25	1492162.....	146	1499300SS.....	22	3009114.....	24, 27	3015545.....	34
14708F463211.....	26	1492163.....	146	1499500SS.....	22	3009215.....	24, 27	3015954.....	20
14708F467211.....	26	1492165.....	146	1499700SS.....	22	3009218.....	40	3015999.....	20
14709F380211.....	23	1492168.....	108	17757.....	117	3009219.....	40	3016061.....	153
14709F381211.....	23	1492171.....	146	208430.....	104	3009308.....	41	3016062.....	153
14709F382211.....	23	1492172.....	146	2F12.....	104	3009320.....	8	3016233.....	6, 8
14709F383211.....	26	1492182.....	147	2F12SCR.....	20, 21, 104	3009327.....	24, 27	3016309.....	21, 37
14709F387211.....	26	1492183.....	147	2F16SCR.....	104	3009653.....	24, 27	3016342.....	136
14709F460211.....	25	1492184.....	147	2F20.....	104	3009995.....	19	3016394.....	37
14709F461211.....	25	1492185.....	147	2F20SCR.....	21	3010034.....	107	3016944.....	19, 20, 21, 37
14709F462211.....	25	1492190.....	144	2F24SCR.....	20	3010057.....	107	3017174.....	37
14709F463211.....	26	1492191.....	146	3000966.....	41	3010131.....	34	3017233 ... 8, 19, 20, 21, 24, 27,	34, 37
14709F467211.....	26	1492193.....	145	3001152.....	8	3010220.....	8	3017238.....	19, 20, 21, 37
14709F520211.....	25	1492194.....	144	3001447.....	122	3010310.....	108	3017358.....	20
14709F521211.....	25	1492196.....	144	3001472A.....	37	3010358.....	34	3017358.....	20
14709F522211.....	25	1492197.....	144	3003032.....	104	3010390.....	22, 24, 27	3017393.....	20
14709F523211.....	26	1492198.....	30, 145	3004611.....	22, 105	3010443.....	34, 108	3017487.....	37
14709F527211.....	26	1492200.....	142	3005345.....	6, 7	3010548.....	33	3017966.....	21
14710F380211.....	23	1492201.....	142	3005423.....	6, 8	3010603.....	34, 104	3018007.....	19
14710F381211.....	23	1492202.....	142	3005693.....	8	3010610.....	108	3018358.....	8
14710F382211.....	23	1492203.....	142	3005705.....	8	3010653.....	34	3018359.....	8
14710F383211.....	26	1492215.....	143	3005706.....	8	3010816.....	46, 47, 48	3018599.....	7
14710F387211.....	26	1492217.....	145	3006717A.....	37	3010845.....	34, 107	3018639.....	21
14710F460211.....	25	1492220.....	145	3006724.....	19, 20	3010846.....	34, 107	3018781.....	8
14710F461211.....	25	1492222.....	144	3006833.....	19	3010847.....	34	3018857.....	21
14710F462211.....	25	1492223.....	144	3006887.....	22, 24, 27, 104	3010863.....	107	3018919.....	19
14710F463211.....	26	1492225.....	144	3006964.....	19	3010970.....	8	3018919*.....	104
14710F467211.....	26	1492226.....	144	3006964.....	19	3010991.....	34	3018923.....	8
14710F520211.....	25	1492227.....	144	3007039.....	19	3011370.....	19	3019085.....	19
14710F521211.....	25	1492228.....	145	3007300.....	22, 24, 27	3011727.....	19	3019166.....	21, 106
14710F522211.....	25	1492230.....	143	3007301.....	22, 24, 27	3011832.....	24, 27	3019561.....	8
14710F523211.....	26	1492231.....	143	3007302.....	22, 24, 27	3011864B.....	6, 7, 8	3019738.....	153
14710F527211.....	26	1492232.....	143	3007349.....	21	3012001.....	20	3019870.....	8
1491301.....	22	1492233.....	143	3007416.....	8, 19, 55, 106	3012081.....	20, 106	3020301 ... 8, 19, 20, 24, 27, 34	
1491501.....	21, 22	1492235.....	144	3007527.....	19	3012393.....	19, 20, 21	3020340.....	7
1491701.....	21, 22	1492236.....	144	3007809.....	8	3012431.....	19	3020562.....	34
1492100.....	30, 143	1492237.....	145	3007811.....	8	3012458.....	20, 21	3020625.....	32, 109
1492106.....	145	1492238.....	145	3008045.....	107	3012519.....	34	3020626.....	33, 109
1492107.....	145	1492239.....	144	3008046.....	21, 22, 37, 106	3012695.....	40	3020704.....	33
1492110.....	30, 143	1492242.....	143, 144	3008076.....	8, 106	3012696.....	40	3021616.....	8, 19, 20, 106
1492111.....	30, 143	1492245.....	143	3008241.....	6, 8, 106	3012702.....	40	3021617.....	8
1492112.....	30, 143	1492247.....	142	3008289.....	20, 21, 24, 27	3012959.....	20, 21	3021928.....	21
1492113.....	144	1492248.....	142	3008290.....	20, 21, 24, 27, 104	3013589.....	21	3022060.....	33, 109
1492114.....	143	1492260.....	147	3008294.....	20, 21, 24, 27	3013659.....	106	3022198.....	107
1492115.....	143	1492261.....	147	3008300.....	21, 24, 27	3013821.....	19, 20, 21, 37	3022215.....	11, 12, 13
1492116.....	143	1492262.....	147	3008316.....	21	3013824.....	41	3022224.....	107
1492117.....	145	1492263.....	147	3008317.....	21	3014078.....	19, 20, 21	3022963.....	33, 108

NUMERICAL INDEX

PART NO.	PAGE NO.	PART NO.	PAGE NO.	PART NO.	PAGE NO.	PART NO.	PAGE NO.	PART NO.	PAGE NO.
3022978	19	3034577	14, 19	3046140	134	5601016	131	82123909	45, 49
3022979	19	3034599	19	3046384	34	5601017	131	82123919	45
3024188	19, 20	3034607	111	3046442	14, 26	5601018	131	82123929	45
3024512	37	3034608	111	3046688	34	5601020	131	82124269	45
3024575	19, 20, 21, 24, 27	3034609	111	3046811	34	5601021	131	82124639	45
3024587	8	3034610	111	3047258	118, 119	5601022	131	82124649	45
3024588	8	3034612	111	3047876	14, 20	5601023	131	8882150	129
3024738	19, 20, 21, 24, 27, 34, 37	3034613	111	3048007	33, 108	5601025	131	8883000	128
3025069	19	3034614	111	3048064	135	5601026	131	8883010	128
3025070	19	3035046	42, 43	3048118	33	5601032	131	8883020	128
3025443	136	3035110	45	3048652	32	5601033	131	8883030	128
3025885	30	3035264	19	3048788	108	5601066	130	8883040	128
3025886	30	3035267	19	3048789	108	5609000	125	8883050	128
3025887	30	3035377	19	3048790	108	5609001	125	8883060	128
3026538	47	3035567	34, 107	3048791	108	5622001	142	8883101	129
3026661	37	3035768	147	3048792	108	5622002	142	8883102	129
3027109	37	3035770	147	3048793	108	5622501	142	8883103	129
3027110	37	3035781	147	3048843	33, 109	5622502	142	8883104	129
3027118	40	3035912	141	3048967	147	5624424	142	8883105	129
3027293	19	3035913	141	3049149	153	5624432	141	8883106	129
3027468	30	3035914	141	3049427	24, 27	5626026	141	8883108	129
3027469	30	3035915	141	3049810	36, 37	5626226	141	8883110	129, 144
3027470	30	3035916	141	3049873	24, 27	5626424	142	8883116	129
3027636	8	3035917	141	3050253	33	5626432	141	8883132	129
3027661	8	3035931	141	3050273	24, 27	5626926	141	8883165	129
3027742	45	3035932	141	3050559	14, 26	6190110	44	8883182	129
3028195	7, 8	3035938	21, 24, 27, 34	3050560	14, 26	6190120	44	8883210	128
3028284	8	3036588	23, 25, 109	3050999	118, 119	6190150	44	8883211	128
3028636	8	3036648	108	3052690	112	6190160	44	8883215	128
3030139	49	3036808	46, 47	3052695	112	6190170	44	8883300	129
3030179	21, 24, 27, 34	3036854	21	3053051	11, 12, 13	6198002	42, 43	8883301	129
3030182	21	3037102	30	3053219	18	6198012	42, 43	8883302	129
3030222	20, 21, 24, 27, 34	3037781	32, 108	3057470	15	62100003	34	8883303	129
3030562	20, 21, 24, 27, 34	3037921	34	3057654	32, 109	6241005	117	8883304	129
3030627	21	3038085	30	30579189, 10, 11, 12, 13, 16, 17, 19, 20, 21, 24, 27, 34, 37		6381540	118, 119	8883305	129
3030628	19, 20, 21, 24, 27, 34	3038266	30	3058177	34	6381541	118, 119	8883306	129
3030853	19, 20	3038267	30	3058291	34	6381542	118, 119	8883307	129
3030857	19	3038518	7, 8	3059122	7	6381544	118, 119	8883308	129
3030861	118, 119	3038520	7, 8	3060222	34	6381560	118, 119	8883309	129
3030863	20	3038812	20	3061406	108	6381561	118, 119	8883310	129
3030867	119	3039076	44	3061407	108	6381564	118, 119	8890300	137
3030907	19, 20	3039492	21	3061408	108	6383060	32, 120, 121	8890301	137
3030999	118, 119	3039773	120, 121	3061408	108	6383061	32, 120, 121	8890302	137
3031000	118, 119	3039774	121	3061409	108	6383063	120, 121	8890307	137
3031074	24, 27	3039775	121	3062236	116	6383064	120, 121	8890308	137
3031475	19, 20	3039776	121	3062295	30	6383065	120, 121	8890310	137
3031539	106	3039777	121	3063162	18	6391001	131	8890320	137
3031562	153	3039778	121	3065003	32, 109	6391002	131	8890400	137
3032188	37	3039930	34	3065004	32, 109	6391003	131	8890402	137
3032191	37	3040055	46	4F24SCR	104	6391004	131	8890410	137
3032330	48	3040931	103	4F32SCR	34, 104	6391100	131	8890600	137
3032660	34	3041000	120	5535002	37	6391101	131	8890601	137
3033660	19	3041324	37	5562001	124	6391102	131	8890929	138
3033663	24, 27	3042828	48	5562112	124	6391103	131	8891001	136
3033887	49	3044940	121	5601000	130	6391104	131	8891002	136
3034110	147	3045371	25	5601005	130	6391105	131	8891003	32, 109, 136
3034230	34	3045375	47	5601006	130	6391106	131	8891004	140
3034231	34	3045673	121	5601007	130	6391215	131, 141	8891006	140
3034441	120	3045818	18, 107	5601010	130	6391308	121	8891010	132
		3046039	34	5601015	131	66053	24, 27	8891015	140

NUMERICAL INDEX



Snowplow Market
Manufacturing

PART NO.	PAGE NO.	PART NO.	PAGE NO.	PART NO.	PAGE NO.	PART NO.	PAGE NO.	PART NO.	PAGE NO.
8891016	134	8891327	141	8892244	137	8895554	133	9331000	109
8891017	134	8891400	139	8892245	137	8895556	133	9901000	124
8891018	134	8891401	139	8892248	137	8895560	133	9901005	124
8891023	134	8891402	139	8892249	137	8895580	133	9901010	124
8891026	134	8891403	139	8892250	137	8895590	133	9901015	124
8891031	132	8891405	139	8892255	137	9001024	5	9901100	124
8891032	132	8891500	140	8892300	138	9001025	5	99420	6, 7
8891039	132	8891501	140	8892301	138	9001030	5	AB2H16F	104
8891040	132	8891502	140	8892320	138	9001031	5	AB2H18S	104
8891042	132	8891506	140	8892321	138	9001036	5	AB2H20S	104
8891049	132	8891600	139	8892400	140	9001037	5	AB3H20F	104
8891050	132	8891602	139	8892401	140	9001048	5	ATVS15A	41
8891052	132	8891700	139	8892410	141	9001049	5	B210880	136
8891059	132	8891701	139	8892411	141	9021000	43	B400021SS	117
8891060	133	8891702	139	8892412	141	9021000P	42	B400022SS	117
8891062	133	8891706	139	8892425	140	9031100	124	B40002SS	117
8891068	133	8891709	139	8892426	141	9031105	124	B400031SS	117
8891069	133	8891710	139	8892600	139	9031110	124	B400032SS	117
8891080	132	8891711	139	8892601	139	9031120	5, 40, 124	B40003SS	117
8891082	132	8891829	138	8892602	139	9031200	106	B400041SS	117
8891089	132	8891900	138	8892609	139	9031201	106	B400042SS	117
8891090	132	8891901	138	8892620	139	9031202	106	B40004SS	117
8891091	132	8891902	138	8892710	140	9032000	106	B400051SS	117
8891092	132	8891904	138	8892711	140	9032001	106	B400052SS	117
8891099	132	8891909	138	8892712	140	9032002	106	B40005SS	117
8891100	132	8891910	138	8892800	140	9032005	106	B400061SS	117
8891102	132	8891911	138	8892801	140	9032020	106	B400062SS	117
8891104	140	8891912	138	8892802	140	9032021	106	B40006SS	117
8891105	140	8891914	138	8892809	140	9035100	37	B4002SS	68
8891109	132	8891919	138	8892810	140	9035101	37	BA0972	122
8891110	132	8891920	138	8892825	140	9035102	37	BA1	130
8891111	132	8891921	138	8893048	134	9035103	37	BA102	122
8891119	132	8891925	138	8893148	134	9240016	107	BA107	122
8891120	139	8892102	138	8893248	134	9240016A	107	BA2	130
8891121	139	8892108	138	8893348	134	9240020	34, 107	BV100CYL	115
8891130	139	8892109	138	8893460	134	9240083	24, 27, 37	BV160CYL	115
8891131	139	8892140	137	8893560	134	9240086	19, 20, 21, 24, 27, 37, 104	BV203	115
8891132	139	8892141	137	8893660	134	9242001A	37	BV20344P	115
8891135	139	8892200	137	8893760	134	92420SSA	35	BV203PB	115
8891144	23, 25, 125	8892201	137	8893860	134	92421SSA	35	BV204PB	115
8891145	23, 25, 125	8892202	137	8893960	134	92422SSA	35	BV204PR	115
8891160	132	8892203	137	8894060	134	92425SSA	35	BV204PRPB	115
8891161	132	8892204	137	8894134	134	92426SSA	35	BV303035	115
8891162	132	8892205	137	8894142	134	92427SSA	35	BV303036	115
8891166	31, 125	8892206	137	8895100	133	92428SSA	35	BV403	115
8891167	31, 125	8892207	137	8895105	133	92429SSA	35	BV403PB	115
8891168	31, 125	8892208	137	8895115	133	92430SSA	35	BV404	115
8891169	31, 125	8892209	137	8895120	133	92440SSA	36	BV404PR	115
8891170	133	8892210	137	8895125	133	92441SSA	36	CB100PB	130
8891172	133	8892225	137	8895152	133	92450SSA	36	CB102PB	130
8891177	31, 125	8892230	137	8895153	133	92451SS	36	CB120PB	130
8891178	31, 125	8892231	137	8895155	133	92452SSA	36	CB150	130
8891179	133	8892232	137	8895250	133	924F0017A	37, 107	CB150PB	130
8891215	141	8892233	137	8895301	133	924F0017T	107	CB151	130
8891216	141	8892234	137	8895302	133	924F0081	37	CB151PB	130
8891225	141	8892239	137	8895400	134, 136	924F0081AK	37	CB152PB	130
8891226	141	8892240	137	8895404	134, 136	924F0084	37	CB200PB	130
8891227	141	8892241	137	8895405	133	924F0084	37	CB201	130
8891325	141	8892242	137	8895551	133	924F0106PPR	36	CB201PB	130
8891326	141	8892243	137	8895553	133	924F0106SSPR	36	CB202PB	130

INDEX

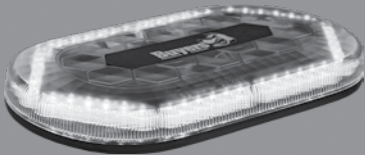
NUMERICAL INDEX

PART NO.	PAGE NO.	PART NO.	PAGE NO.	PART NO.	PAGE NO.	PART NO.	PAGE NO.	PART NO.	PAGE NO.
CB251PB.....	130	HV515LS.....	116	LS29.....	48	SL42A0.....	142		
CB300.....	130	HV715.....	116	LS3.....	49	SL42CA.....	142		
CB30PB.....	130	HV715EP.....	115	LS4.....	33, 47	SL500A.....	136		
CB50.....	130	HV715EPG.....	23, 25, 115	LS4H.....	47	SL501A.....	135		
CB50PB.....	130	HV715SAE.....	116	LS4T.....	48	SL502A.....	135		
CB60.....	130	HVC05.....	115, 118, 119	LS4TH.....	48	SL550ALP.....	135		
CB60PB.....	130	HVC06.....	115, 118, 119	LS5.....	33, 47	SL551ALP.....	135		
CB62PB.....	130	HVC06T.....	120, 121	LS5H.....	47	SL575ALP.....	135		
CB80PB.....	130	HVC1.....	116	LS7.....	46	SL576ALP.....	135		
CB90PB.....	130	HVC1030.....	116	LS8.....	46	SL62AB.....	142		
CM004P.....	24, 27, 34, 37, 116	HVC715.....	116	LS8H.....	46	SL62AC.....	142		
CM004PH.....	116	HVEH20.....	119	LS9.....	49	SL62AG.....	142		
CM012P.....	116	HVEH9.....	119	LS9H.....	49	SL62A0.....	142		
CM032P.....	116	HVESB.....	118, 119	LSV12.....	42	SL62CA.....	142		
CM034P.....	34, 37, 116	HVH20.....	119	P12SP.....	104	SL62CB.....	142		
CM072P.....	116	HVH25.....	121	P16SP.....	104	SL62CO.....	142		
CM072PS.....	116	HVH8.....	119, 121	PLB11SS.....	126	SL62G0.....	142		
CM074P.....	24, 27, 37, 116	HVH9.....	119	PLB12SS.....	126	SL62RB.....	142		
CM074PS.....	116	HVKB.....	116	PLB15SS.....	127	SL640ALP.....	136		
CM084P.....	116	K70DFD.....	121	PLB16SS.....	127	SL645ALP.....	135		
CM092P.....	34, 116	K70FDA.....	121	PLB17SS.....	126	SL650A.....	136		
CMSK.....	24, 27, 34, 37	KS301.....	105	PLB18SS.....	126	SL65A0.....	141		
FCB050013200.....	55, 65, 72	KS402.....	105	PLB19.....	127	SL65CO.....	141		
FCB063011250.....	55, 65, 72	LB4773SST.....	125	PRO1500.....	9	SL660A.....	136		
FCB063011251.....	111	LB8663SST.....	125	PRO1500CH.....	9	SL665A.....	135		
FCB063011400.....	111	LB8665SST.....	125	PRO2000.....	9	SL675ALP.....	135		
FNE050013053.....	55, 65, 72	LS1.....	49	PRO2000CH.....	9	SL685ALP.....	135		
FNE063011069.....	55, 65, 72, 111	LS10.....	33, 47	PRO2500.....	10	SL695A.....	135		
GPS1.....	115, 119, 121	LS10H.....	47	PRO2500CH.....	10	SL696A.....	135		
H1310410D.....	122	LS11.....	48	PRO3000.....	10	SL70AC.....	142		
H1310410H.....	122	LS11H.....	48	PRO3000CH.....	10	SL70AG.....	142		
H3269X6X4.....	75	LS12.....	49	PRO4000.....	11	SL70A0.....	142		
HCR050.....	116	LS12H.....	49	PRO4000CH.....	11	SMR15VESS.....	115		
HCR075.....	116	LS13.....	14, 46	PRO4000H.....	11	SMR30VESS.....	115		
HCVD08.....	116	LS14.....	15, 46	PRO4000HCH.....	11	TGS02.....	7		
HCVD08SAE.....	116	LS15.....	48	PRO6000.....	12	TGS03.....	7		
HFD5050SAE.....	34, 116	LS16.....	25, 47	PRO6000CH.....	12	TGS06.....	6		
HFDL075.....	116	LS16H.....	47	PRO6000H.....	12	TGS07.....	7		
HFDL075SAE.....	116	LS17.....	25, 47	PRO6000HCH.....	12	TGSUV1B.....	6		
HM004P.....	116	LS17H.....	47	PRO8000.....	13	TGSUVPROA.....	6		
HM006P.....	116	LS18.....	15, 46	PRO8000CH.....	13	UTVS16.....	41		
HM034P.....	116	LS19.....	48	PRO8000H.....	13	WB155BG.....	40		
HM034PS.....	116	LS19H.....	48	PRO8000HCH.....	13	WB400.....	40		
HM074P.....	116	LS2.....	49	PU3593.....	117	WSE1.....	42, 46, 47, 48, 49		
HP0624S.....	153	LS20.....	33, 47	PU3593A.....	117	WSE26.....	49		
HP0824S.....	153	LS20H.....	47	PU3593LR.....	117	WSE75.....	46, 47, 48, 49		
HP0860.....	153	LS21.....	46	PU3593LRA.....	117				
HP1224S.....	153	LS21H.....	46	PU3593LRV.....	117				
HP1236S.....	153	LS22.....	46	PU5003.....	117				
HP16132.....	153	LS22H.....	46	PU5007.....	117				
HP1660.....	153	LS23.....	46	PW22.....	122				
HP1672.....	153	LS23H.....	46	RL650A.....	136				
HP1696.....	153	LS24.....	46	SHPE0400.....	14, 41				
HRV07516.....	116	LS24H.....	46	SHPE0750.....	15				
HV020.....	116	LS25.....	46	SHPE1000.....	15				
HV1030.....	116	LS25H.....	46	SHPE1500.....	15				
HV1030EP.....	115	LS26.....	46	SHPE2000.....	15				
HV1030EPG.....	115	LS26H.....	46	SK12.....	121				
HV1030LS.....	116	LS27.....	46	SL40AR.....	141				
HV1030SAE.....	116	LS27H.....	46	SL41AR.....	141				

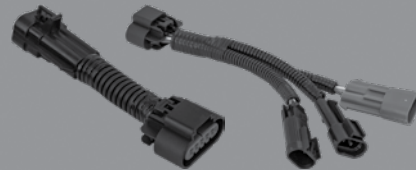
NOTES



NEW PRODUCTS



8891170
LED OVAL MINI LIGHT BAR
PG. 133



1311800/1311810
PLUG AND PLAY PLOW LIGHT ADAPTERS FOR
BOSS®/WESTERN®/FISHER®/SNOWEX® PG. 126



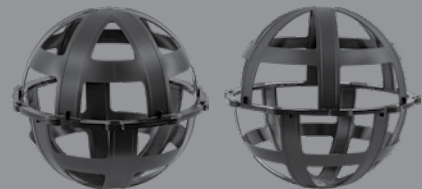
8890929
TRI-COLOR WARNING LIGHTS
PG. 138



1492245
COMBINATION FLOOD/STROBE LIGHT
PG. 143



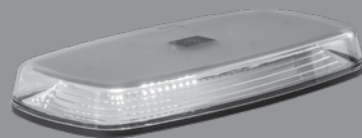
8883060
BACKUP CAMERA KIT WITH DVR & BLIND
SPOT DETECTION PG. 128



6198002/6198012
SURGE REDUCERS
PG. 42-43



1492202/ 1492201
ULTRA BRIGHT REMOTE CONTROL 360°
SPOT LIGHTS PG. 142



8891039
MINI LIGHT BARS
NEW LED COLOR OPTIONS PG. 132-133



SL62RB
RECESSED STROBE LIGHTS
NEW LED COLOR OPTIONS PG. 142

Buyers Products Co. • 9049 Tyler Blvd. • Mentor, OH 44060 • Ph. (440) 974-8888 • Toll-Free Fax 800-841-8003 • BuyersProducts.com

In this catalog, the use of the names of manufacturers and the use of part numbers which may be similar to their part numbers is for the assistance of our customers in identifying replacements parts which we manufacture or which may be manufactured for Buyers Products Company. It is not implied that any part listed is the product of these manufacturers. Meyer®, Diamond®, Schmidt®, and Swenson® are registered trademarks of Aebi Schmidt Holding, AG. Western®, Fisher®, Henderson® and Blizzard® are registered trademarks of Douglas Dynamics, Inc. Boss® and The Boss® are registered trademarks of The Toro Company. Sno-Way® is a registered trademark of Sno-Way International, Inc. SnowEx® is a registered trademark of TrynEx International. Curtis® is a trademark of Curtis Industries, LLC. Henke® and Everest® are registered trademarks of Alamo Group Inc. Wasau™ is a trademark of Alamo Group Inc. Good Roads® is a registered trademark of Godwin Manufacturing Co., Inc. Valk™ is a trademark of Valk Manufacturing Co. Hi-Way® is a registered trademark of Highway Equipment Company Corporation. Arctic® is a registered trademark of Arctic Equipment Manufacturing Corporation. Bonnell™ is a trademark of Bonnell Industries Inc. Char-Lynn® is a registered trademark of the Eaton Corporation. DownEaster® is a registered trademark of Coastal Metal Fab, Inc. Flink™ is a trademark of Flink Co. Gledhill™ is a trademark of The Gledhill Road Machinery Co. Hiniker® is a registered trademark of Hiniker Company. Monroe™ is a trademark of Monroe Truck Equipment, Inc., Ogura® is a registered trademark of Ogura Clutch Co. Tarco® is a registered trademark of Fort Miller Fab3. Ace Torwel™ is a trademark of Ace Torwel. Timbren™ is a trademark of Timbren Industries Inc. Warren™ is a trademark of Warren, Inc. White Hydraulics® is a trademark of White Drive Products, Inc. Air-Flo® is a registered trademark of Air-Flo Manufacturing Co. Buyers Products Co. is not affiliated with these companies.